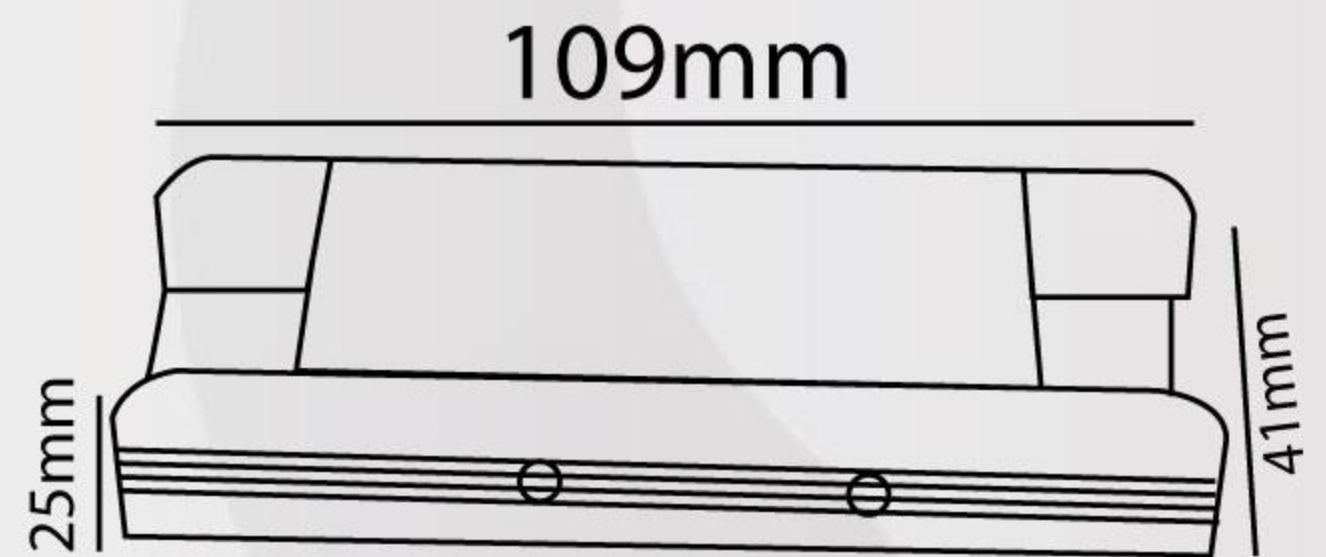


# UNISER

## SMART DRIVERS AND CONTROLLER



### PRODUCT SPECIFICATIONS

**Product Type :** Zigbee Strip Controller

**Product Name :** Strip Controller

**Product Code :** UHLF-STRIP-CONTROLLER

**Wattage :** 12V-120W, 24V-240W

**Input Voltage :** 12V-24V

**Output Voltage :** 12V-24V

**Dimming :** 10 Steps Dimming

**Signal Transmission :** 30M

**Material :** Aluminium

**IP Rating :** IP20

**Protocol :** 2.4G / Bluetooth + 2.4G/ Zigbee

**Type :** RGB CCT/ CCT/ Only Dimmable

