

SMART WIRELESS AUTOMATION

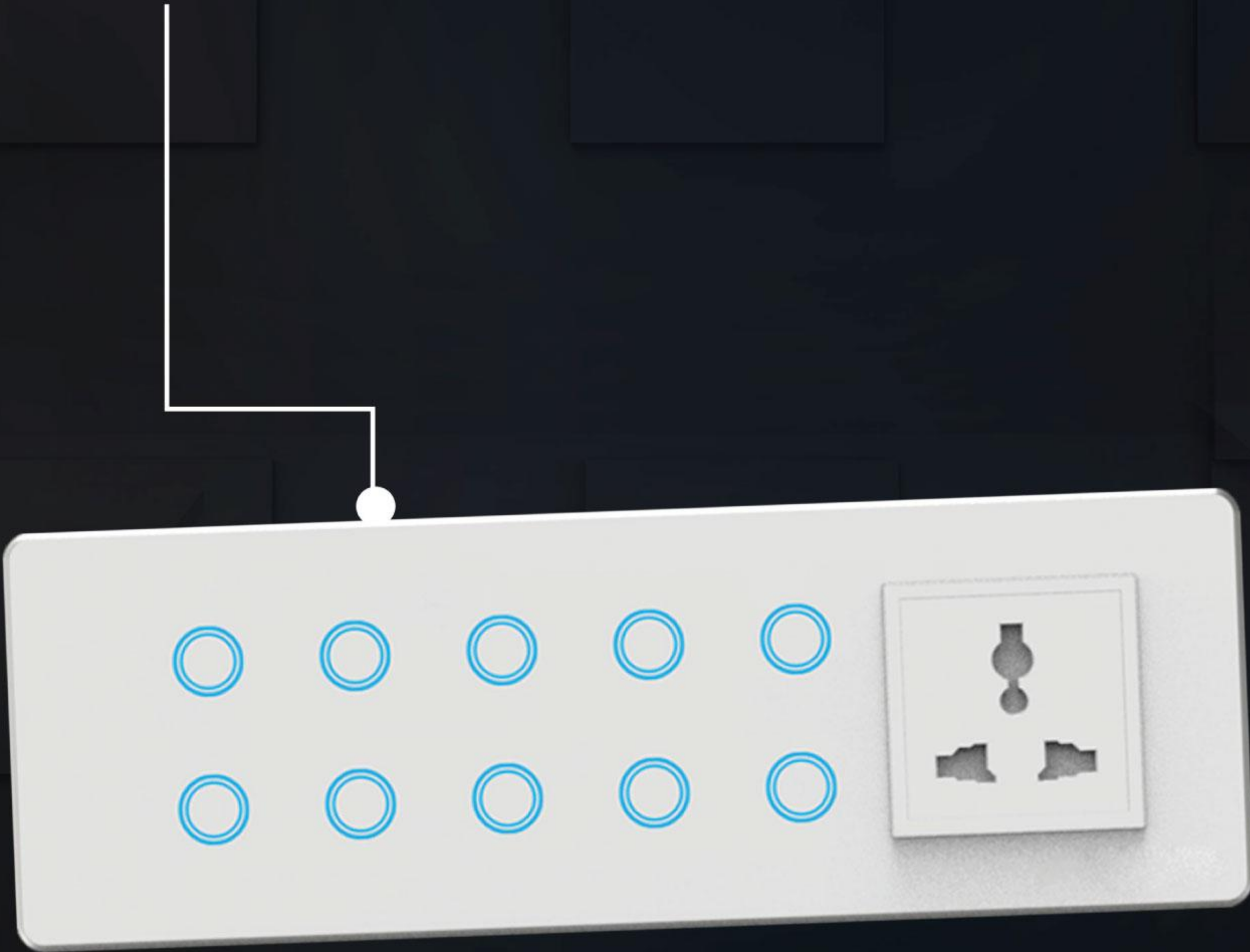


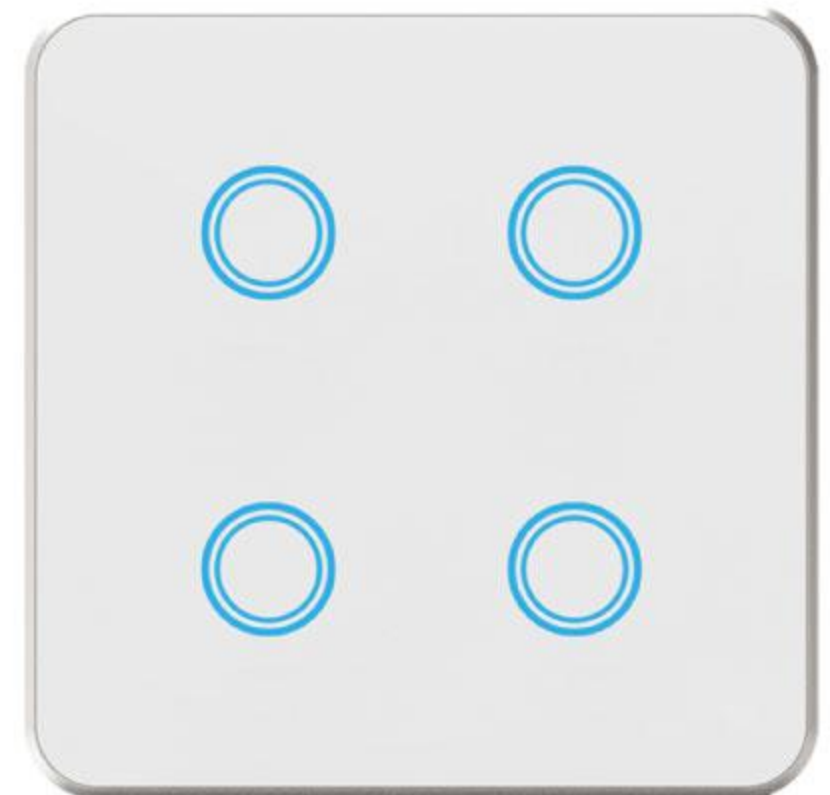
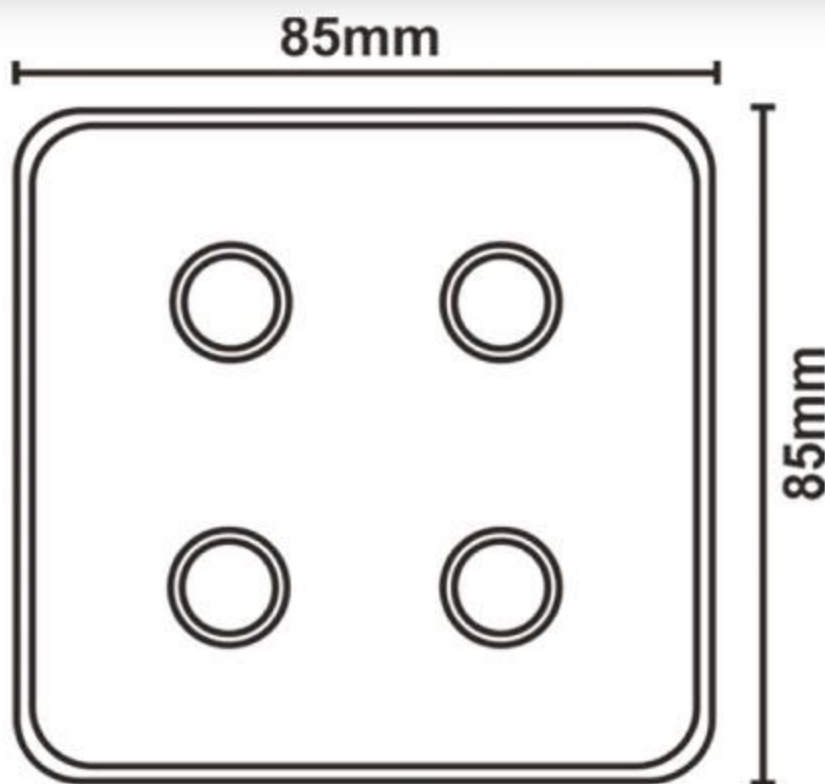
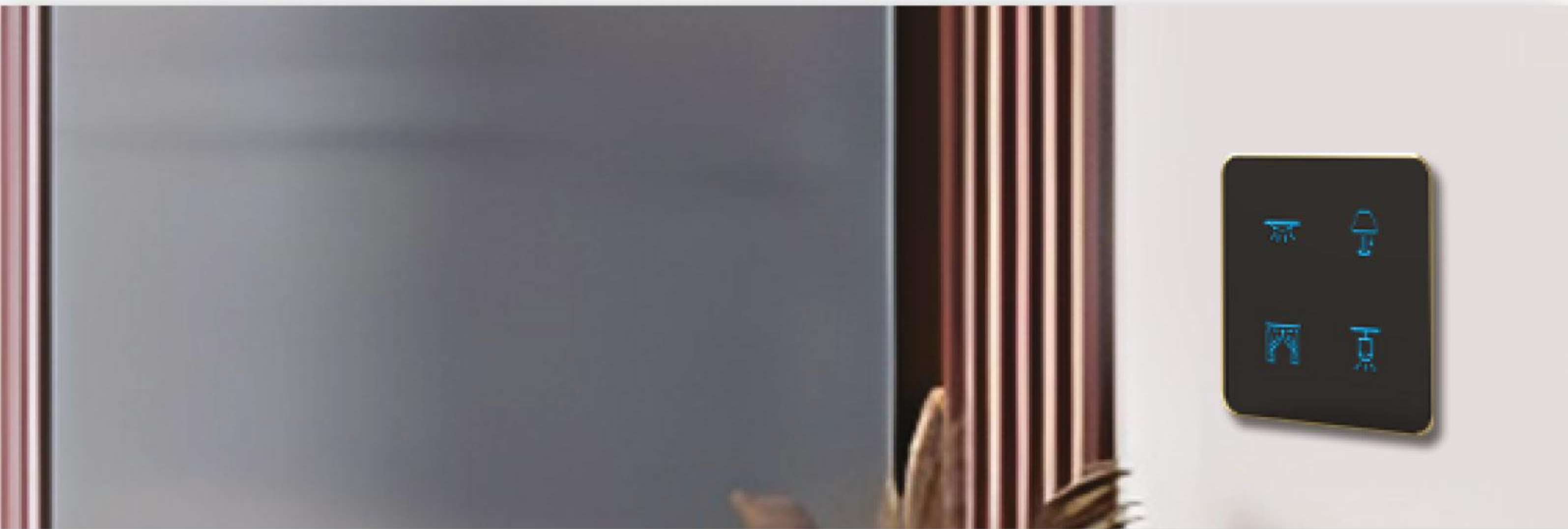
**UNISER
SMARTSPACES**

TABLE OF CONTENTS

01	SMART SWITCHES	02
02	SMART KEYPADS	20
03	WIRELESS REMOTES	29
04	SMART DRIVERS & CONTROLLERS	32
05	SMART GATEWAY	41
06	SENSORS & DIMMERS	43
07	SMART DOORBELL	50

SMART SWITCHES





PRODUCT SPECIFICATIONS

Product Type : Zigbee Smart Switch

Product Name : Smart Switch

Product Code : UHLF-SWITCH PANEL-A

Size : 2 MODULAR

Over Load Protection : UP TO 470V

Glass Color : White / Black

Bezel Color : Gold / Grey / Black

Glass : 2mm Toughened Glass

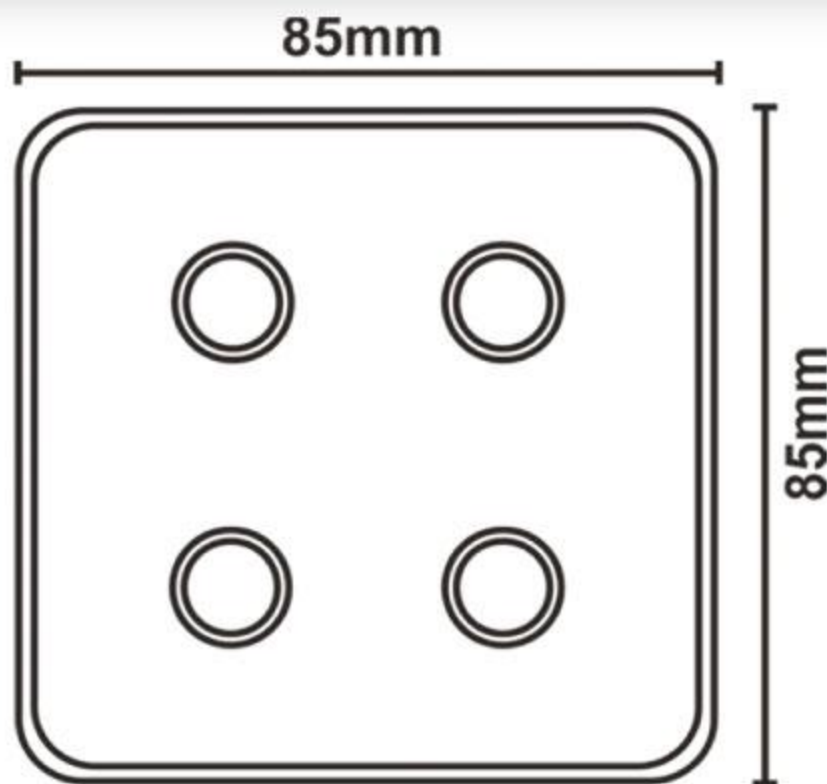
Protocol : ZIGBEE

Mode: 2Way / Toggle / Scene / Lighting Remote

Material : Glass + Metal

Load : 16A Per Switch





PRODUCT SPECIFICATIONS

Product Type : Zigbee Smart Switch

Product Name : Smart Switch

Product Code : UHLF-SWITCH PANEL-B

Size : 2 MODULAR

Over Load Protection : UP TO 470V

Glass Color : White / Black

Bezel Color : Gold / Grey / Black

Glass : 2mm Toughened Glass

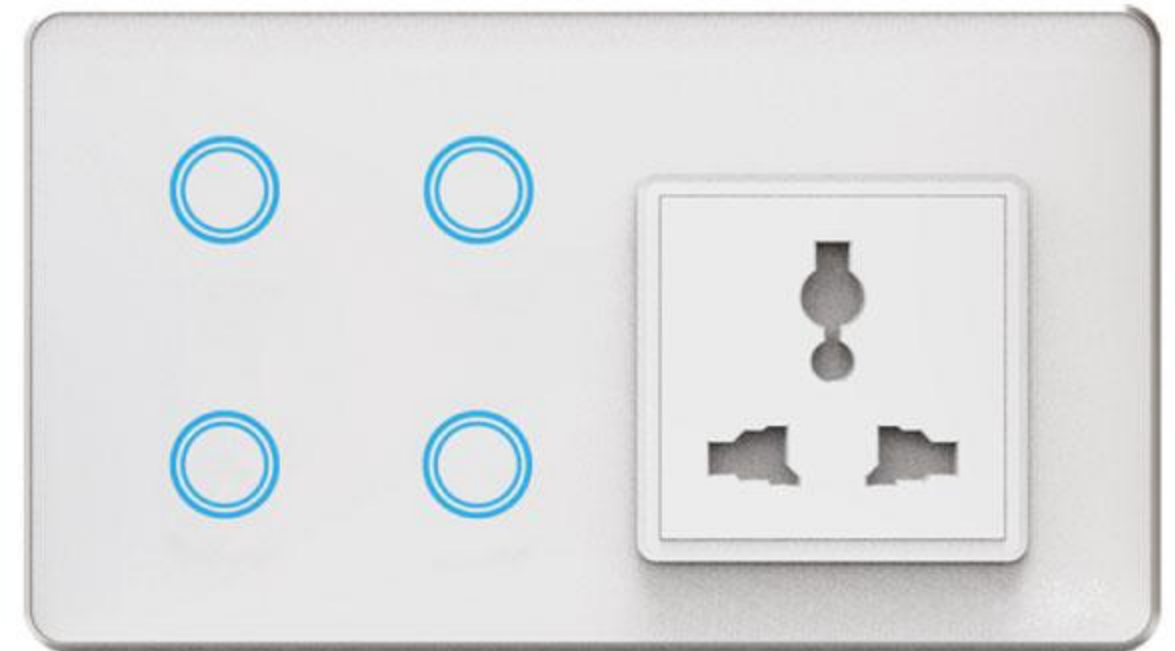
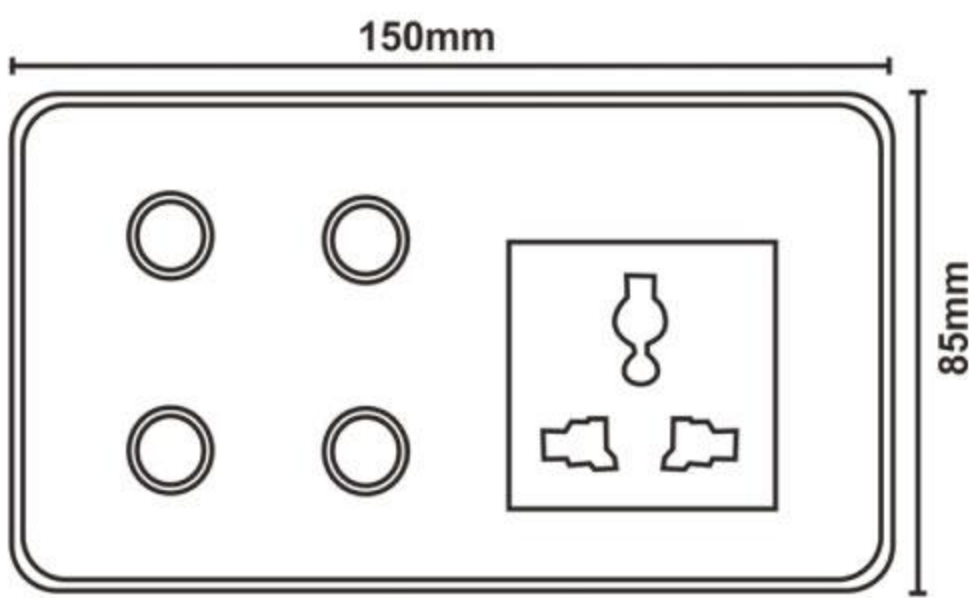
Protocol : ZIGBEE

Mode: 2Way / Toggle / Scene / Lighting Remote

Material : Glass + Metal

Load : 16A Per Switch





PRODUCT SPECIFICATIONS

Product Type : Zigbee Smart Switch

Product Name : Smart Switch

Product Code : UHLF-SWITCH PANEL-C

Size : 4 MODULAR

Over Load Protection : UP TO 470V

Glass Color : White / Black

Bezel Color : Gold / Grey / Black

Glass : 2mm Toughened Glass

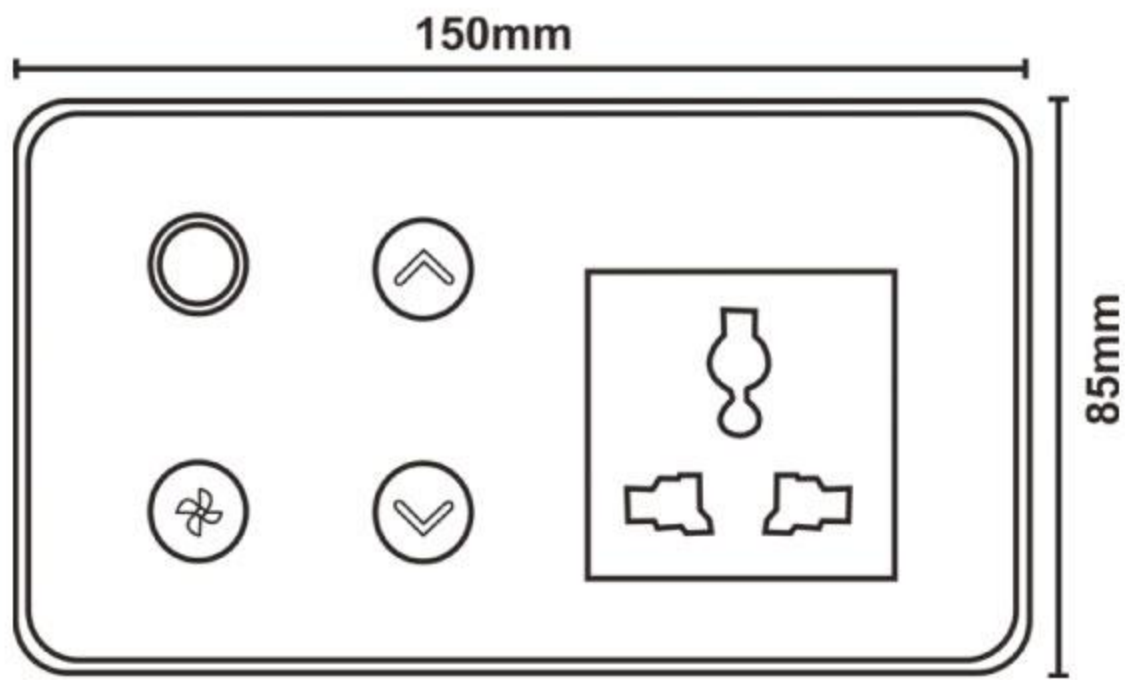
Protocol : ZIGBEE

Mode: 2Way / Toggle / Scene / Lighting Remote

Material : Glass + Metal

Load : 16A Per Switch





PRODUCT SPECIFICATIONS

Product Type : Zigbee Smart Switch

Bezel Color : Gold / Grey / Black

Product Name : Smart Switch

Glass : 2mm Toughened Glass

Product Code : UHLF-SWITCH PANEL-D

Protocol : ZIGBEE

Size : 4 MODULAR

Mode: 2Way / Toggle / Scene / Lighting Remote

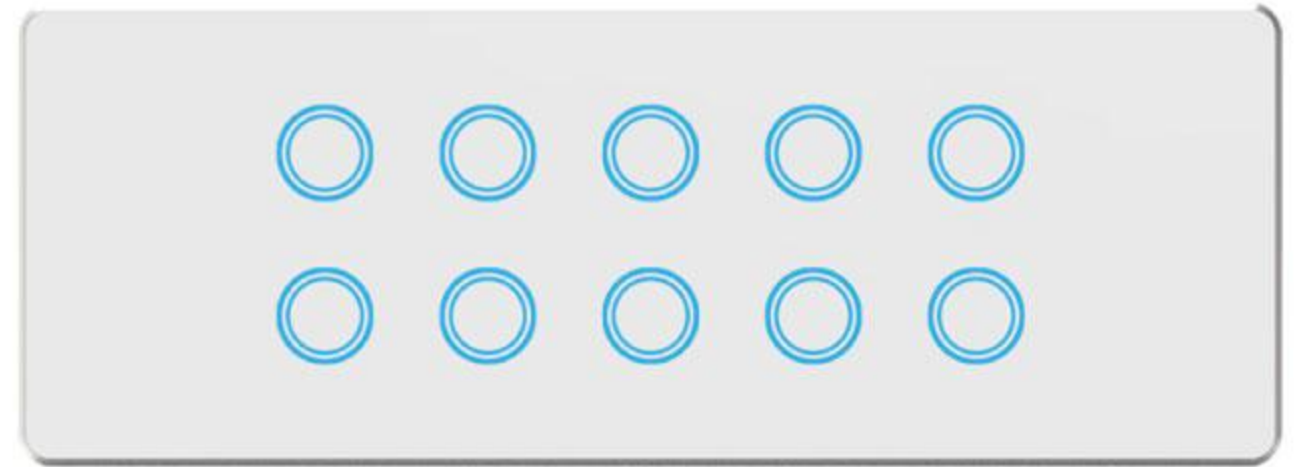
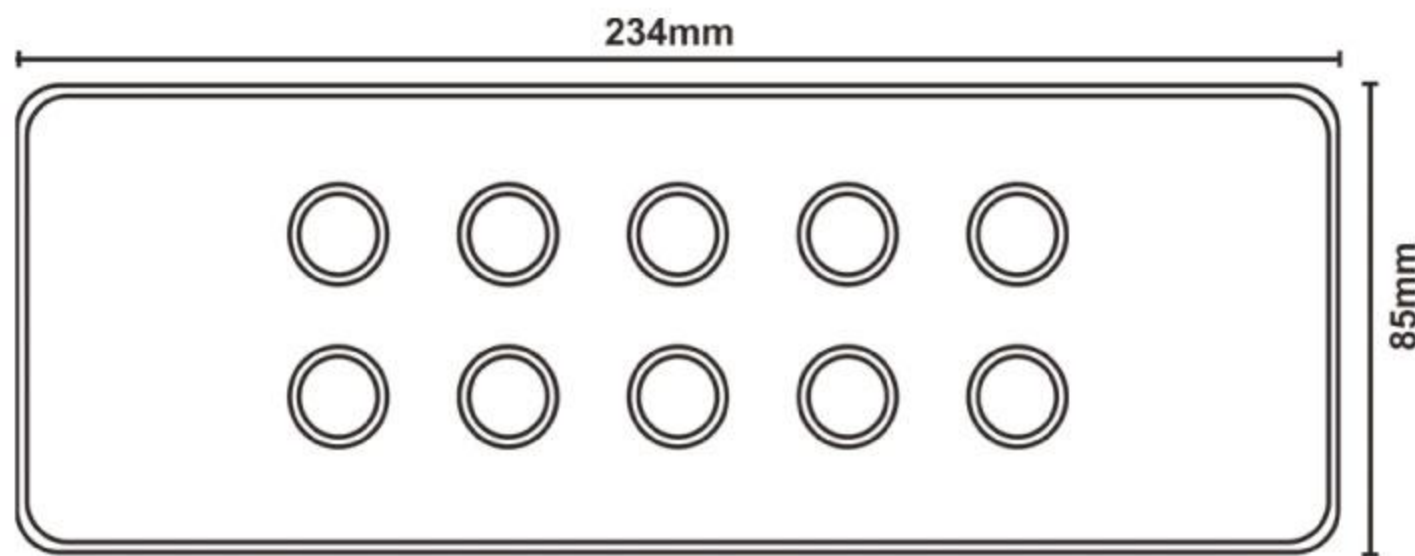
Over Load Protection : UP TO 470V

Material : Glass + Metal

Glass Color : White / Black

Load : 16A Per Switch





PRODUCT SPECIFICATIONS

Product Type : Zigbee Smart Switch

Bezel Color : Gold / Grey / Black

Product Name : Smart Switch

Glass : 2mm Toughened Glass

Product Code : UHLF-SWITCH PANEL-E

Protocol : ZIGBEE

Size : 6 MODULAR

Mode: 2Way / Toggle / Scene / Lighting Remote

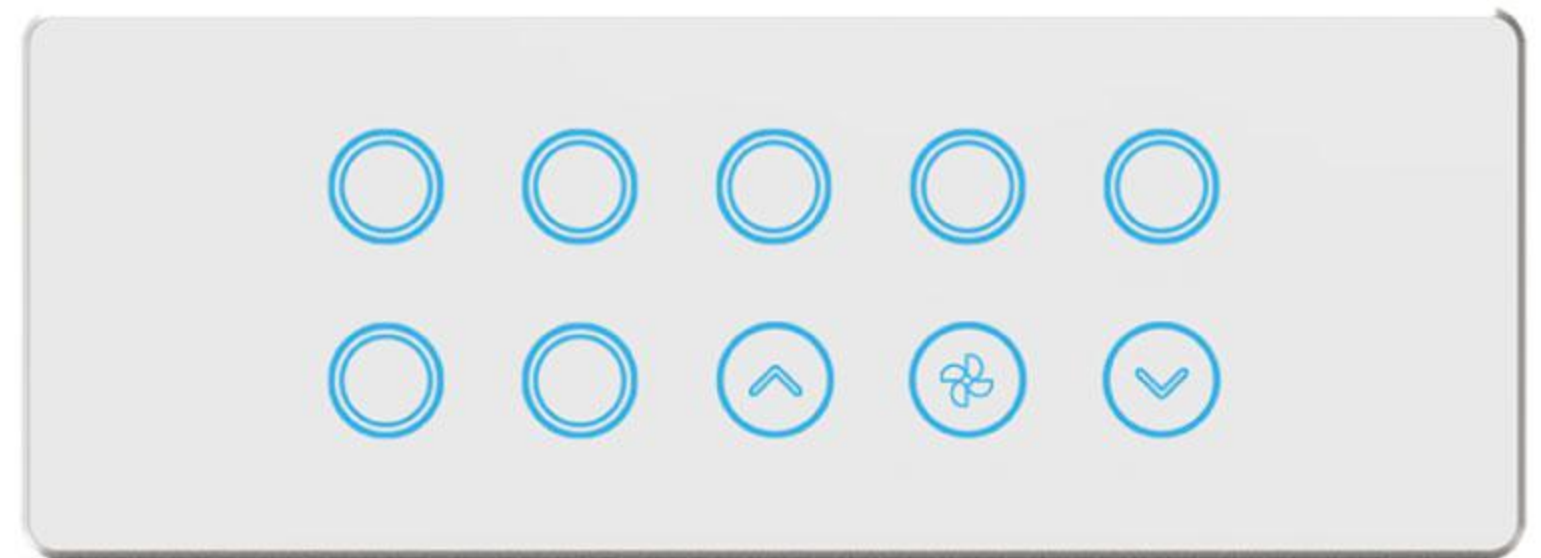
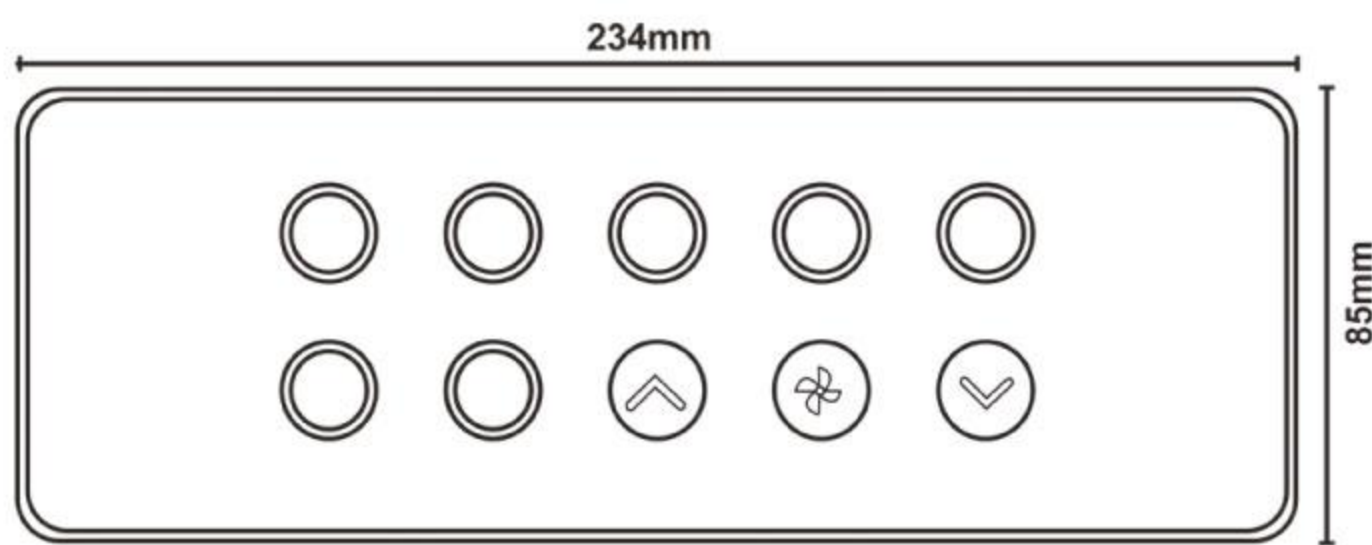
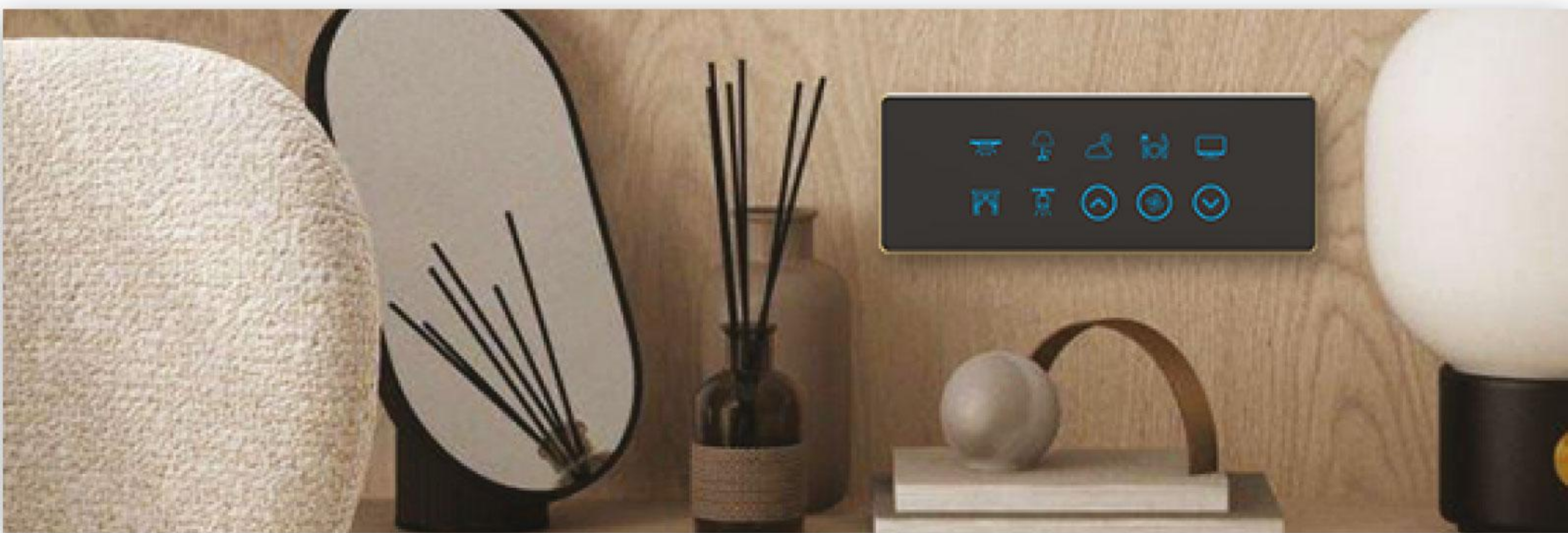
Over Load Protection : UP TO 470V

Material : Glass + Metal

Glass Color : White / Black

Load : 16A Per Switch





PRODUCT SPECIFICATIONS

Product Type : Zigbee Smart Switch

Product Name : Smart Switch

Product Code : UHLF-SWITCH PANEL-F

Size : 6 MODULAR

Over Load Protection : UP TO 470V

Glass Color : White / Black

Bezel Color : Gold / Grey / Black

Glass : 2mm Toughened Glass

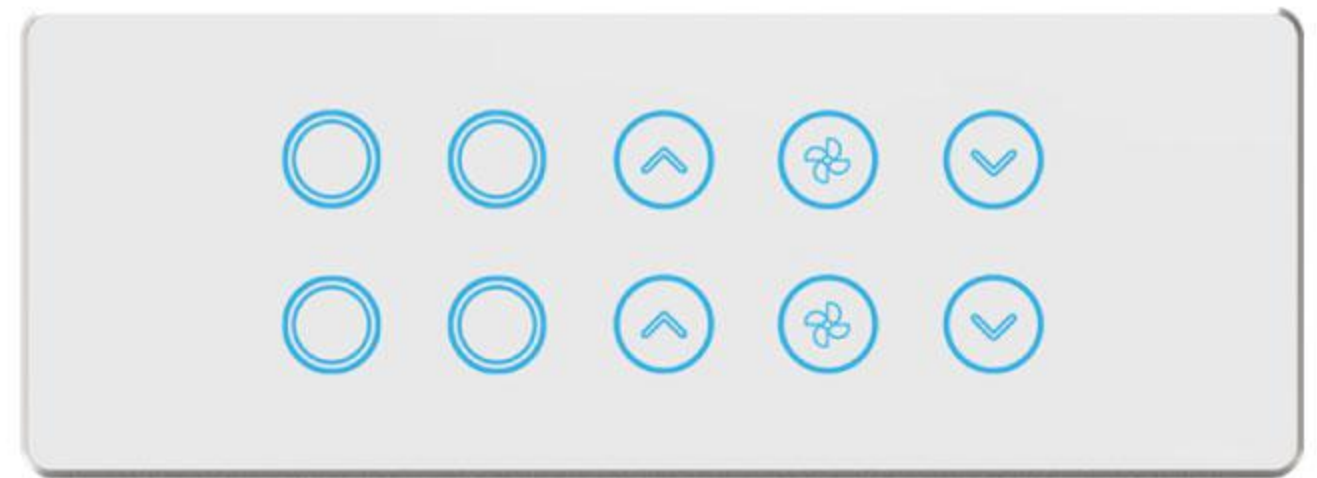
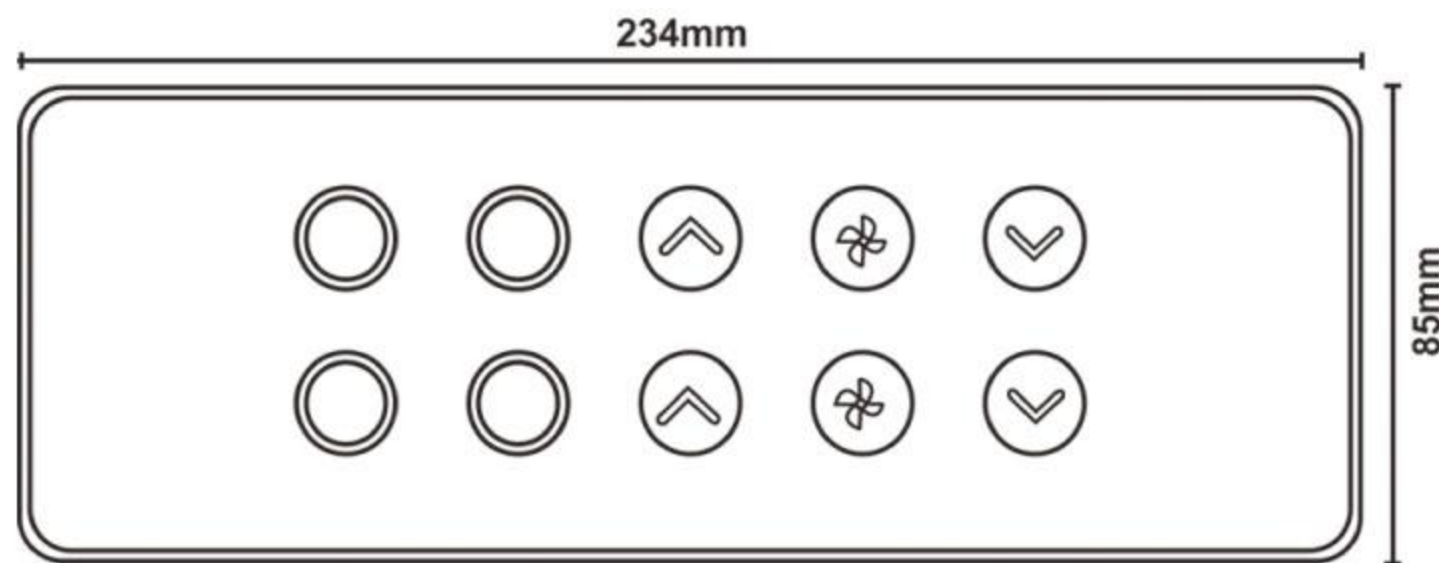
Protocol : ZIGBEE

Mode: 2Way / Toggle / Scene / Lighting Remote

Material : Glass + Metal

Load : 16A Per Switch





PRODUCT SPECIFICATIONS

Product Type : Zigbee Smart Switch

Bezel Color : Gold / Grey / Black

Product Name : Smart Switch

Glass : 2mm Toughened Glass

Product Code : UHLF-SWITCH PANEL-G

Protocol : ZIGBEE

Size : 6 MODULAR

Mode: 2Way / Toggle / Scene / Lighting Remote

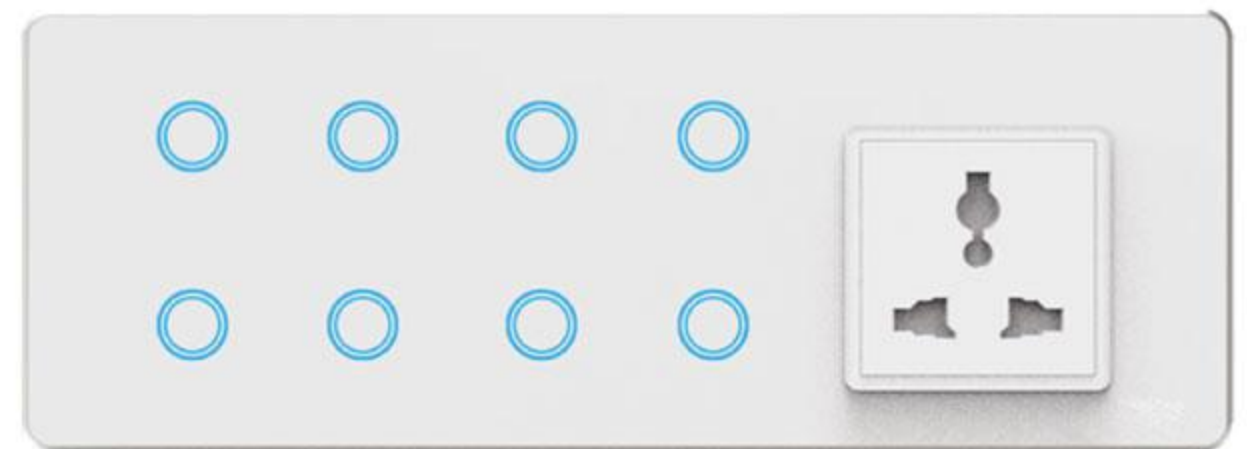
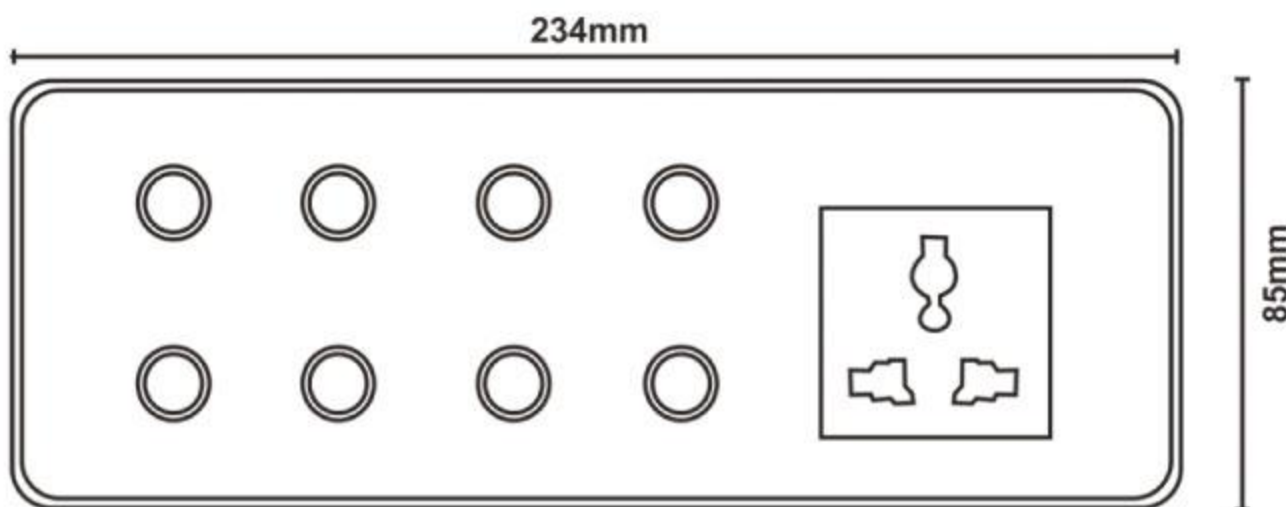
Over Load Protection : UP TO 470V

Material : Glass + Metal

Glass Color : White / Black

Load : 16A Per Switch





PRODUCT SPECIFICATIONS

Product Type : Zigbee Smart Switch

Product Name : Smart Switch

Product Code : UHLF-SWITCH PANEL-H

Size : 6 MODULAR

Over Load Protection : UP TO 470V

Glass Color : White / Black

Bezel Color : Gold / Grey / Black

Glass : 2mm Toughened Glass

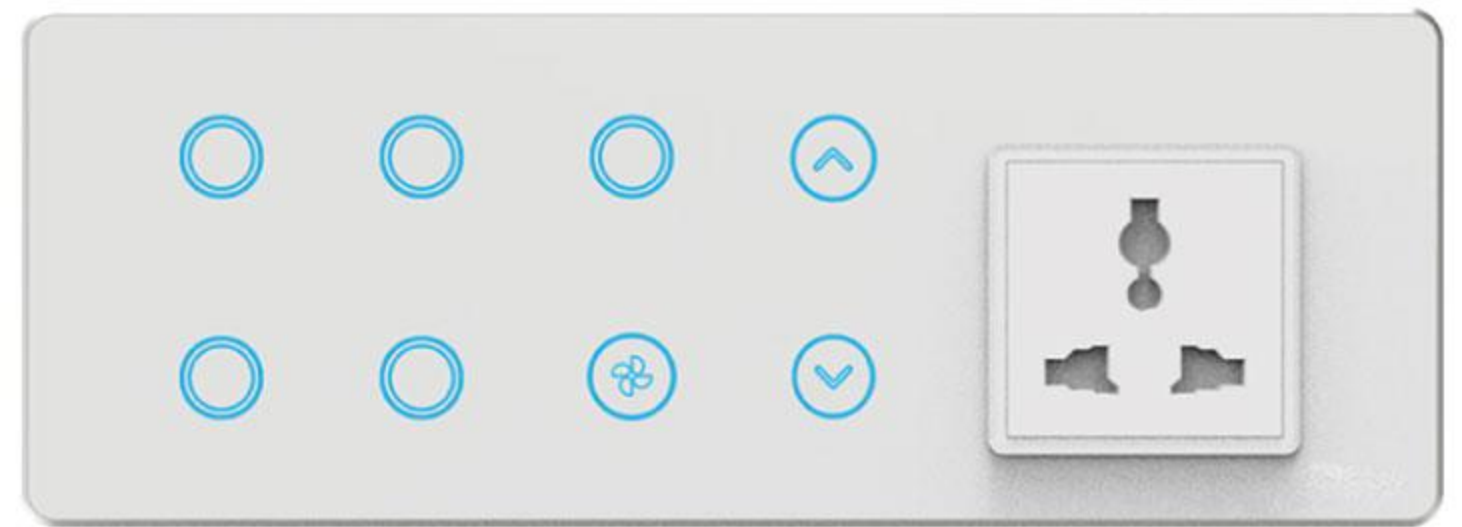
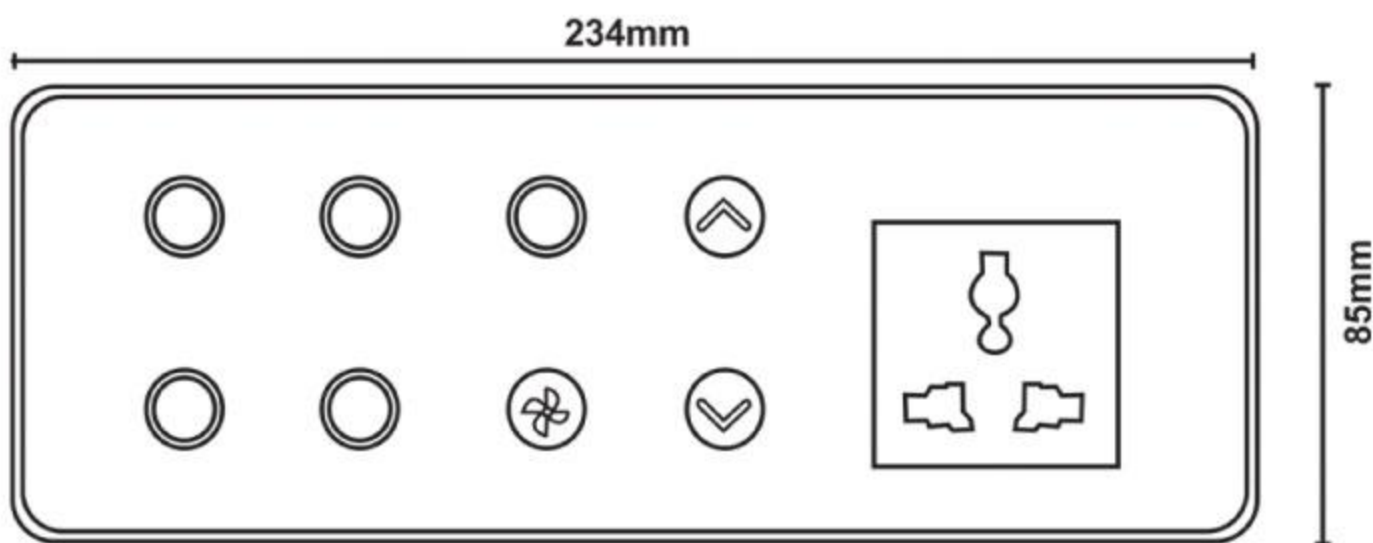
Protocol : ZIGBEE

Mode: 2Way / Toggle / Scene / Lighting Remote

Material : Glass + Metal

Load : 16A Per Switch





PRODUCT SPECIFICATIONS

Product Type : Zigbee Smart Switch

Product Name : Smart Switch

Product Code : UHLF-SWITCH PANEL-I

Size : 6 MODULAR

Over Load Protection : UP TO 470V

Glass Color : White / Black

Bezel Color : Gold / Grey / Black

Glass : 2mm Toughened Glass

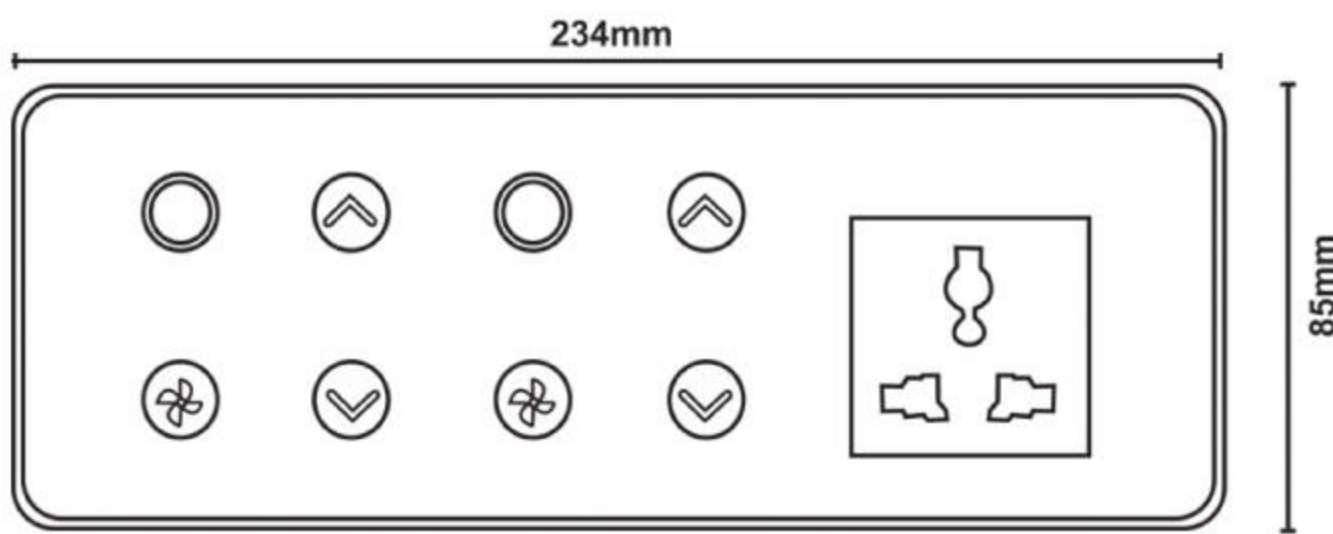
Protocol : ZIGBEE

Mode: 2Way / Toggle / Scene / Lighting Remote

Material : Glass + Metal

Load : 16A Per Switch





PRODUCT SPECIFICATIONS

Product Type : Zigbee Smart Switch

Product Name : Smart Switch

Product Code : UHLF-SWITCH PANEL-J

Size : 6 MODULAR

Over Load Protection : UP TO 470V

Glass Color : White / Black

Bezel Color : Gold / Grey / Black

Glass : 2mm Toughened Glass

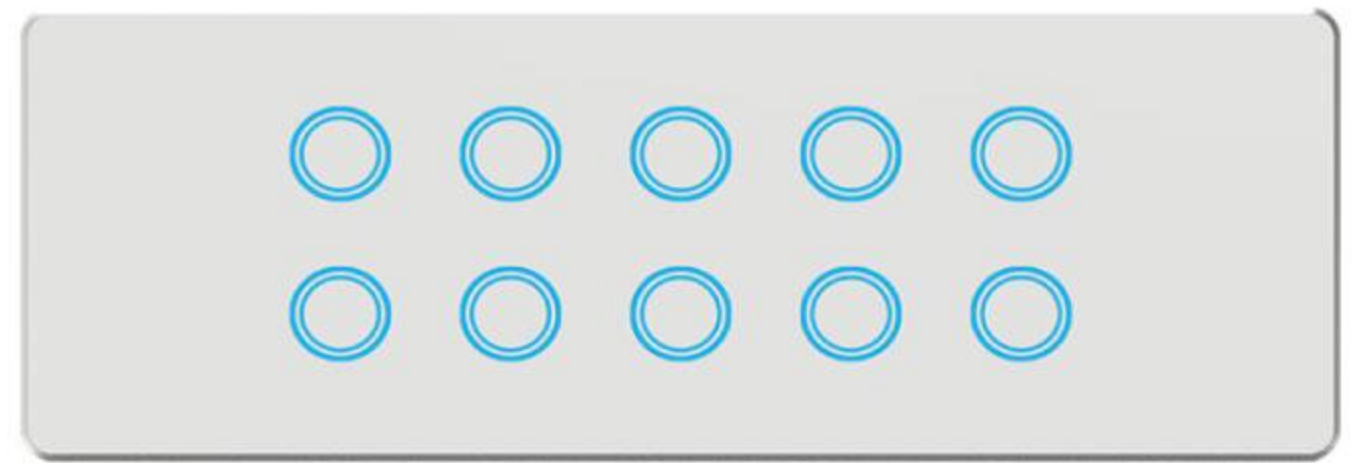
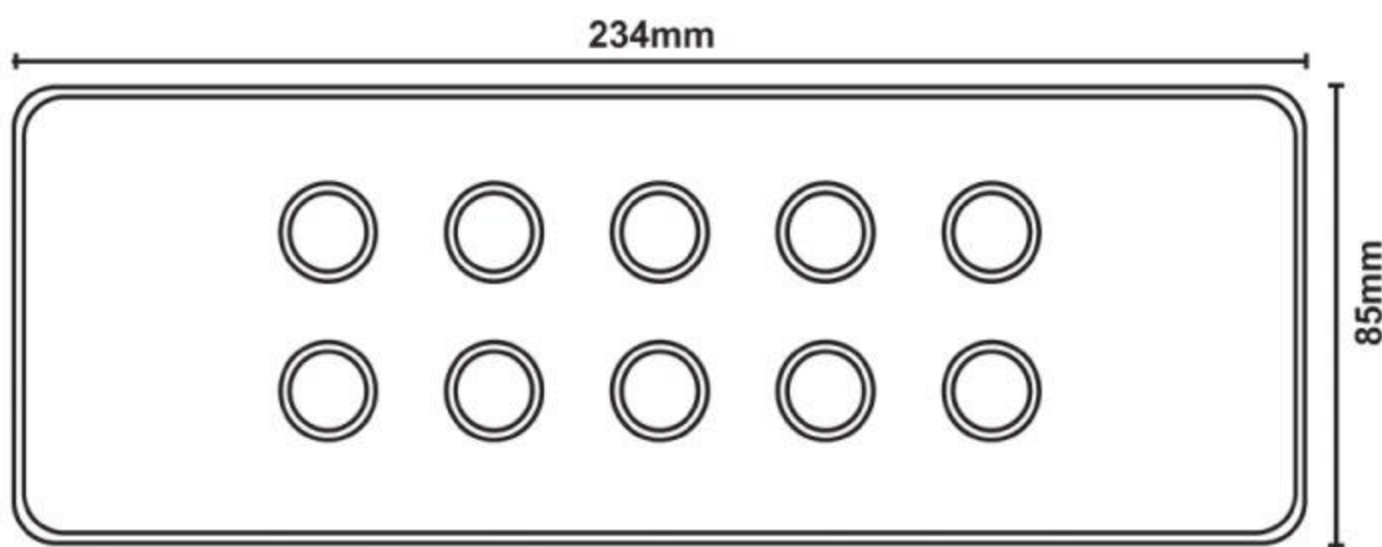
Protocol : ZIGBEE

Mode: 2Way / Toggle / Scene / Lighting Remote

Material : Glass + Metal

Load : 16A Per Switch





PRODUCT SPECIFICATIONS

Product Type : Zigbee Smart Switch

Bezel Color : Gold / Grey / Black

Product Name : Smart Switch

Glass : 2mm Toughened Glass

Product Code : UHLF-SWITCH PANEL-K

Protocol : ZIGBEE

Size : 8 MODULAR

Mode: 2Way / Toggle / Scene / Lighting Remote

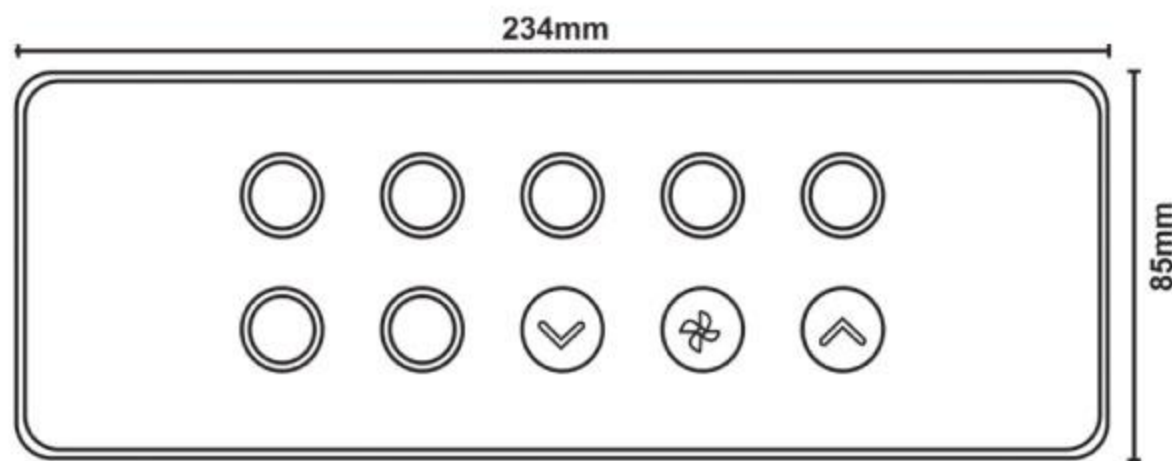
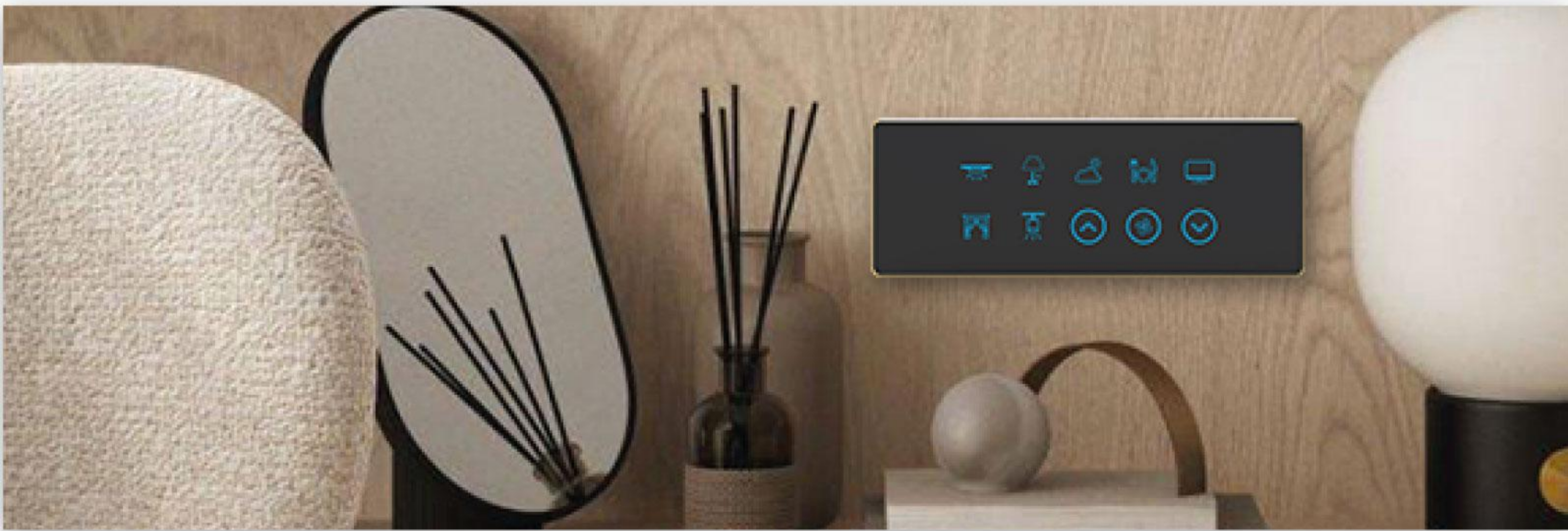
Over Load Protection : UP TO 470V

Material : Glass + Metal

Glass Color : White / Black

Load : 16A Per Switch





PRODUCT SPECIFICATIONS

Product Type : Zigbee Smart Switch

Product Name : Smart Switch

Product Code : UHLF-SWITCH PANEL-L

Size : 8 MODULAR

Over Load Protection : UP TO 470V

Glass Color : White / Black

Bezel Color : Gold / Grey / Black

Glass : 2mm Toughened Glass

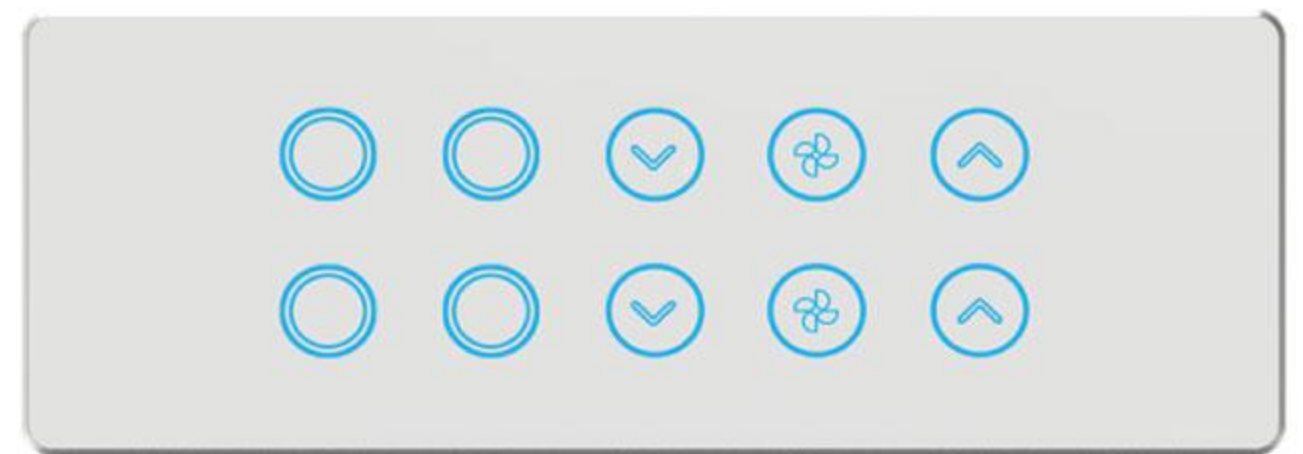
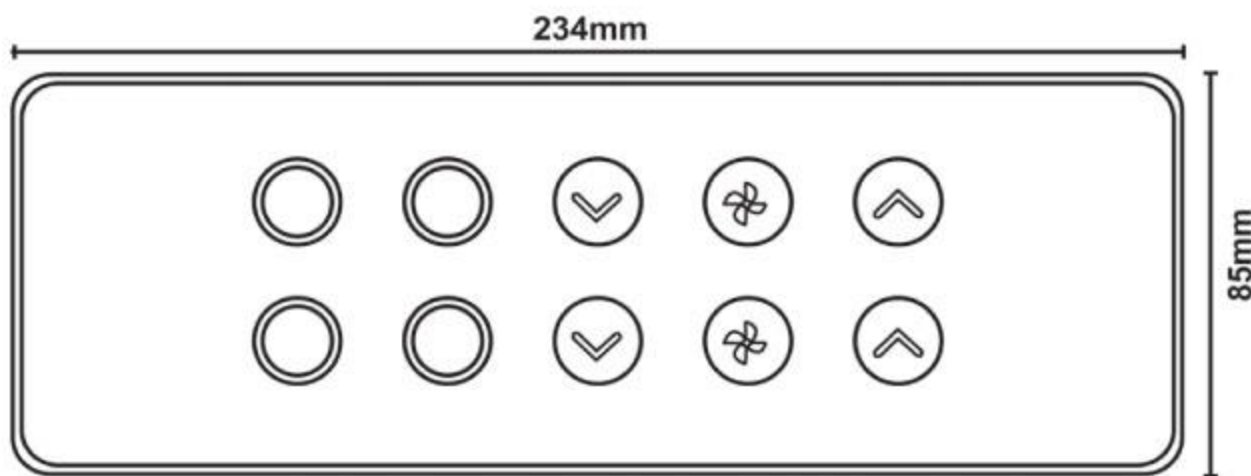
Protocol : ZIGBEE

Mode: 2Way / Toggle / Scene / Lighting Remote

Material : Glass + Metal

Load : 16A Per Switch





PRODUCT SPECIFICATIONS

Product Type : Zigbee Smart Switch

Product Name : Smart Switch

Product Code : UHLF-SWITCH PANEL-M

Size : 8 MODULAR

Over Load Protection : UP TO 470V

Glass Color : White / Black

Bezel Color : Gold / Grey / Black

Glass : 2mm Toughened Glass

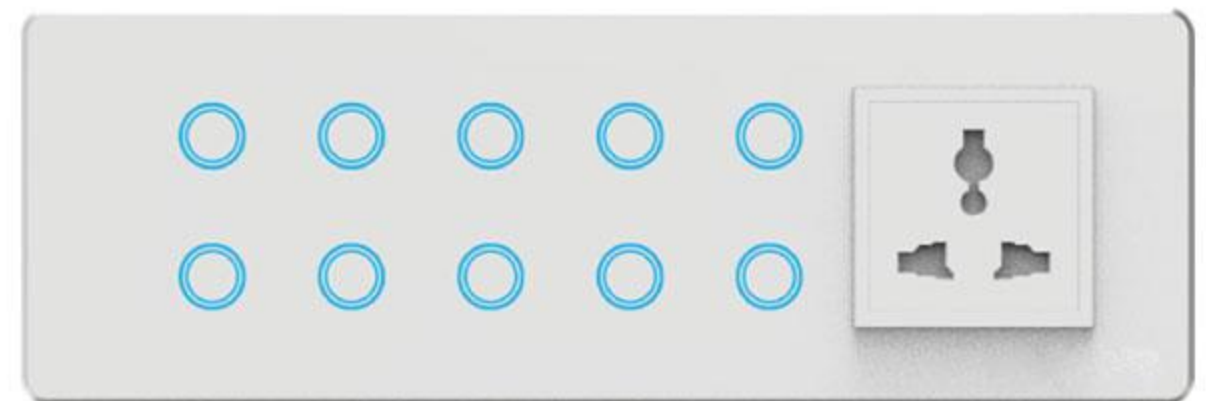
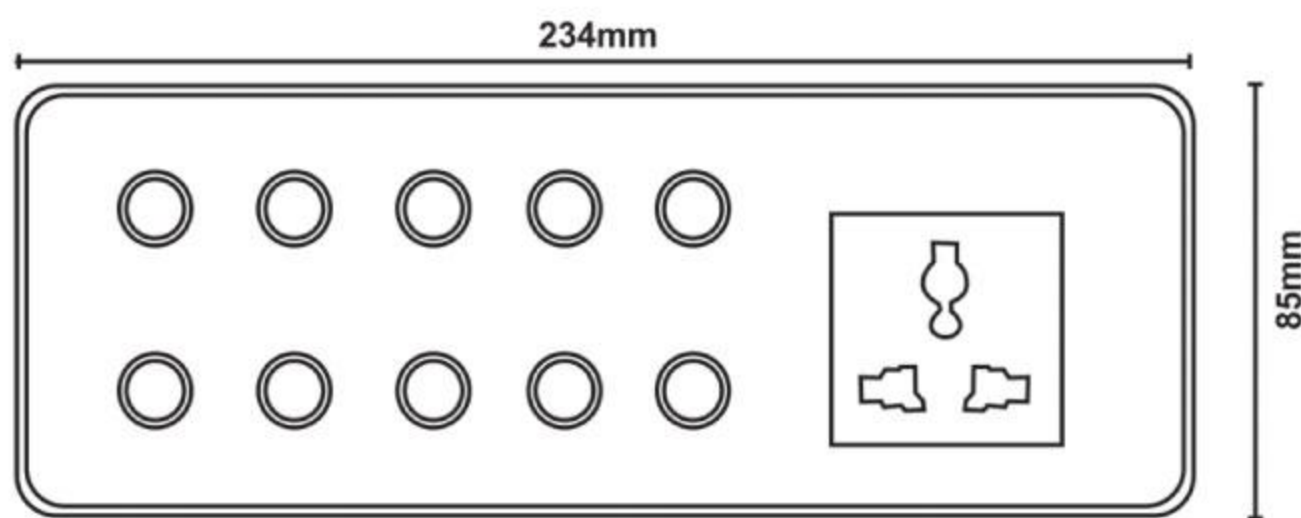
Protocol : ZIGBEE

Mode: 2Way / Toggle / Scene / Lighting Remote

Material : Glass + Metal

Load : 16A Per Switch





PRODUCT SPECIFICATIONS

Product Type : Zigbee Smart Switch

Bezel Color : Gold / Grey / Black

Product Name : Smart Switch

Glass : 2mm Toughened Glass

Product Code : UHLF-SWITCH PANEL-N

Protocol : ZIGBEE

Size : 8 MODULAR

Mode: 2Way / Toggle / Scene / Lighting Remote

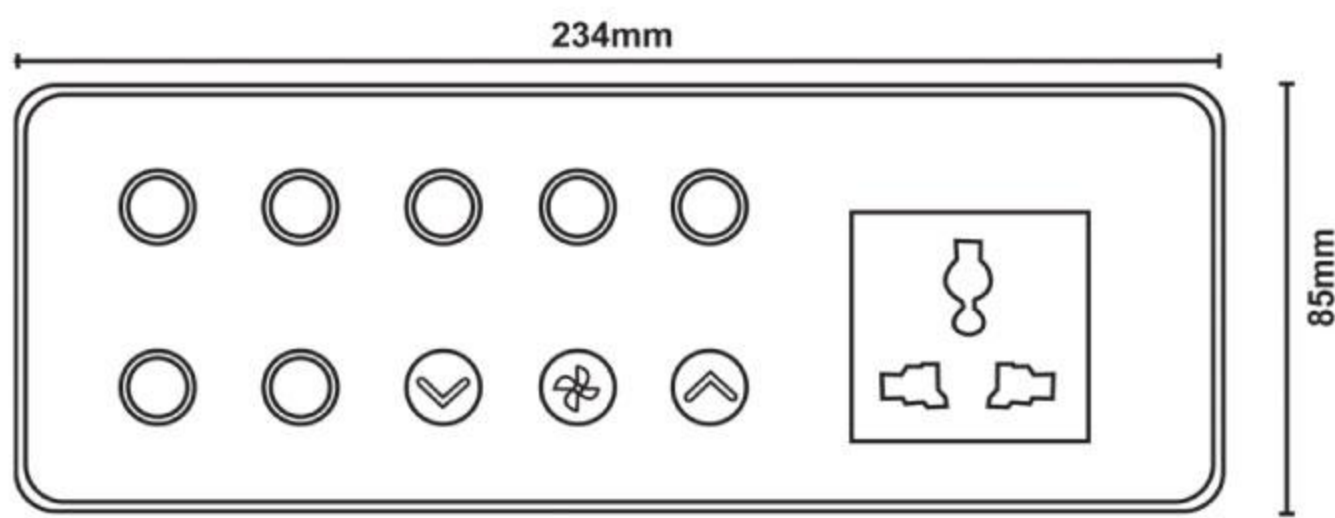
Over Load Protection : UP TO 470V

Material : Glass + Metal

Glass Color : White / Black

Load : 16A Per Switch





PRODUCT SPECIFICATIONS

Product Type : Zigbee Smart Switch

Bezel Color : Gold / Grey / Black

Product Name : Smart Switch

Glass : 2mm Toughened Glass

Product Code : UHLF-SWITCH PANEL-O

Protocol : ZIGBEE

Size : 8 MODULAR

Mode: 2Way / Toggle / Scene / Lighting Remote

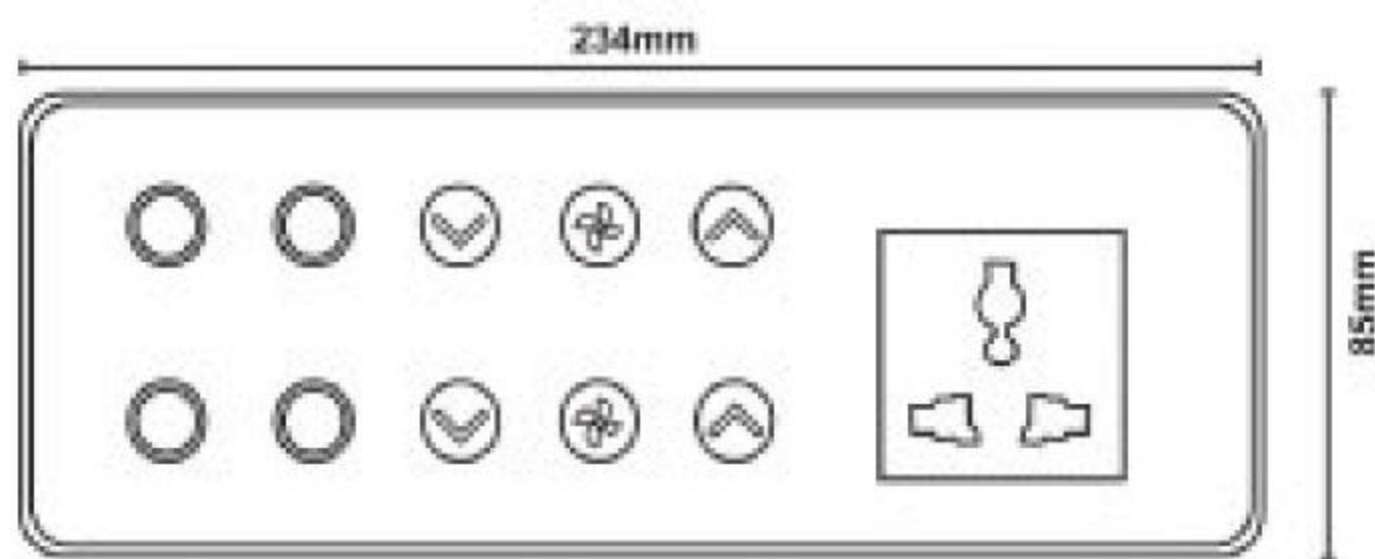
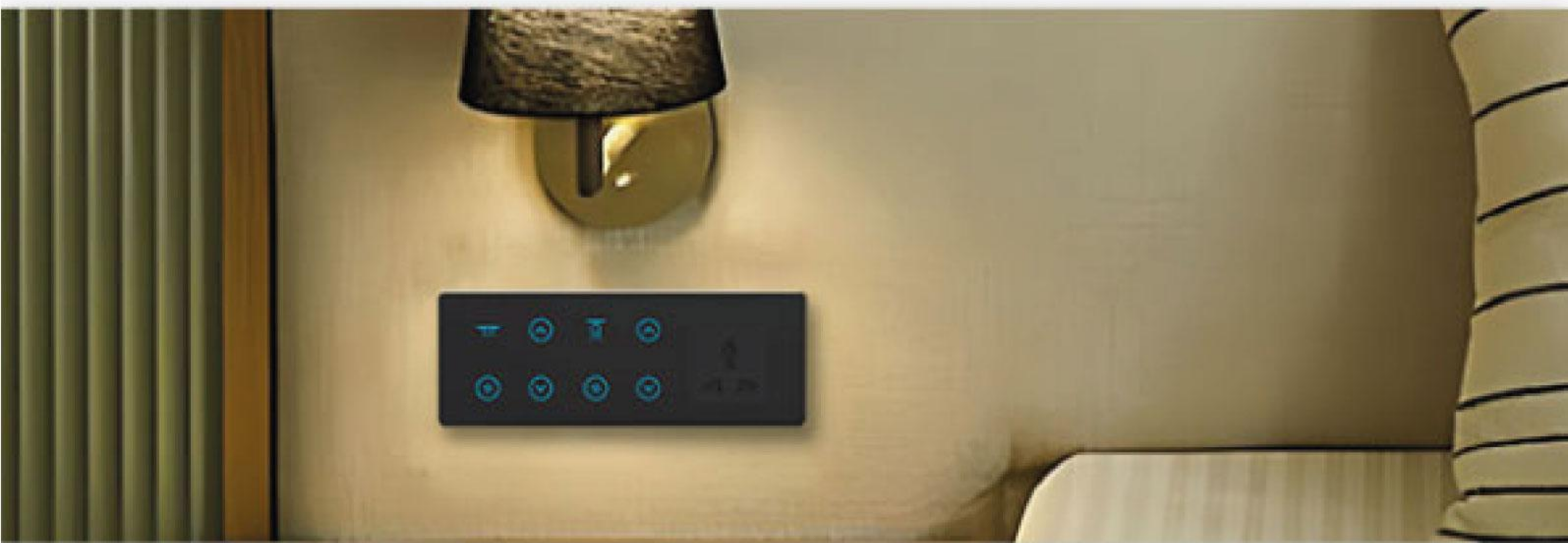
Over Load Protection : UP TO 470V

Material : Glass + Metal

Glass Color : White / Black

Load : 16A Per Switch





PRODUCT SPECIFICATIONS

Product Type : Zigbee Smart Switch

Product Name : Smart Switch

Product Code : UHLF-SWITCH PANEL-P

Size : 8 MODULAR

Over Load Protection : UP TO 470V

Glass Color : White / Black

Bezel Color : Gold / Grey / Black

Glass : 2mm Toughened Glass

Protocol : ZIGBEE

Mode: 2Way / Toggle / Scene / Lighting Remote

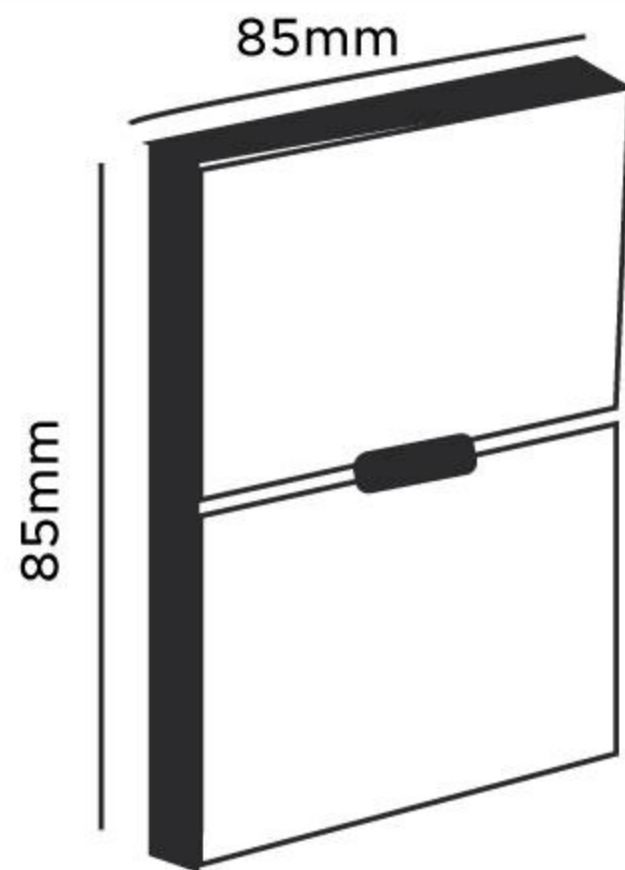
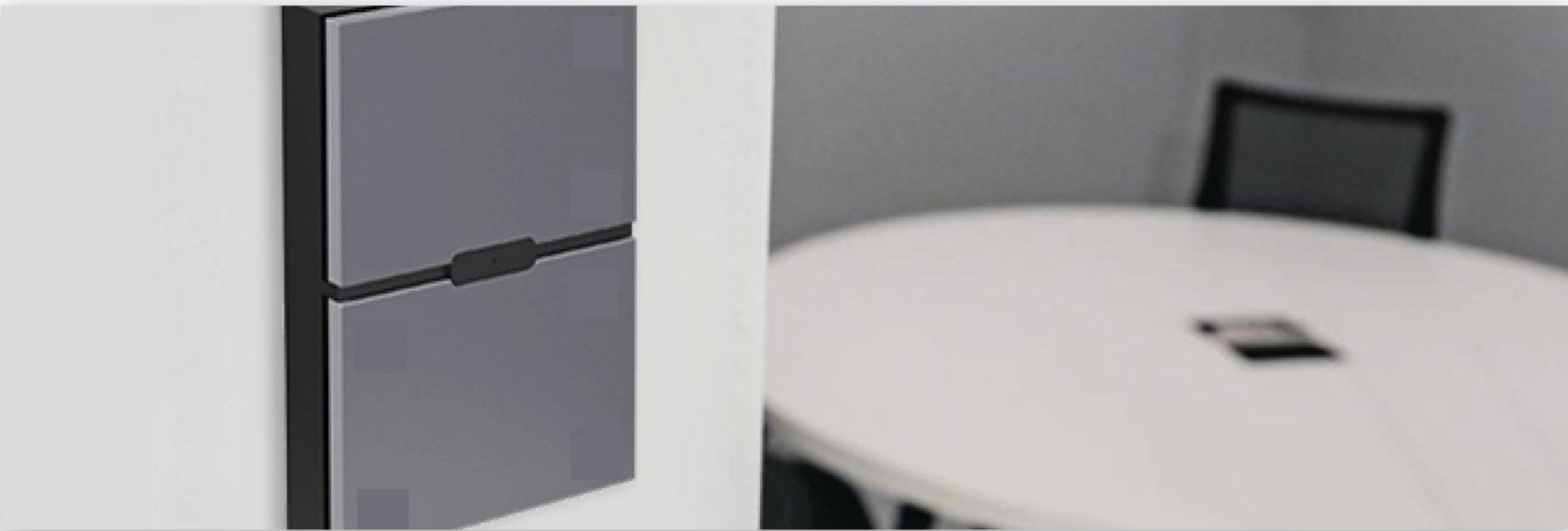
Material : Glass + Metal

Load : 16A Per Switch



SMART SCENE CONTROLLER





PRODUCT SPECIFICATIONS

Product Type : Zigbee Smart Scene Controller

Mode : RF Mode / App Mode

Product Name : 8 Scene Controller

Scenes : 8 Scenes

Product Code : UHLF-WALL PANEL-D

Protocol : Zigbee / Balanced

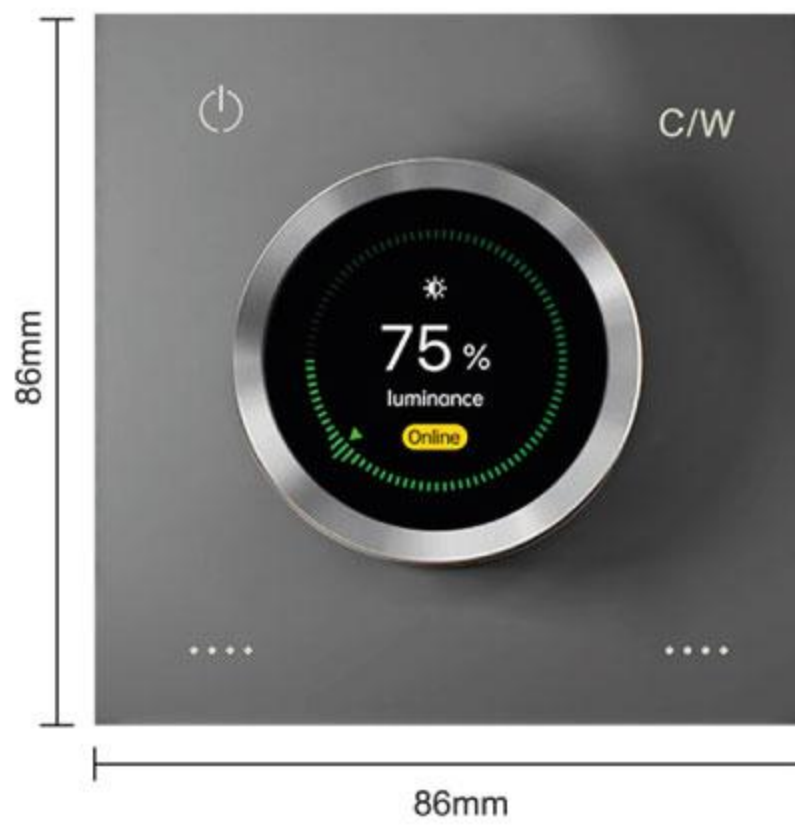
CCT : Tunable & Dimmable

Material : Aluminium + PC

Dimming : 10 Step Dimming

Application : Smartobuddy





PRODUCT SPECIFICATIONS

Product Type : Zigbee Scene Controller

Mode : App Mode

Product Name : Knob Scene Controller

Scenes : 2 Scenes

Product Code : UHLF-INTELLIGENT-KNOB

Protocol : Zigbee

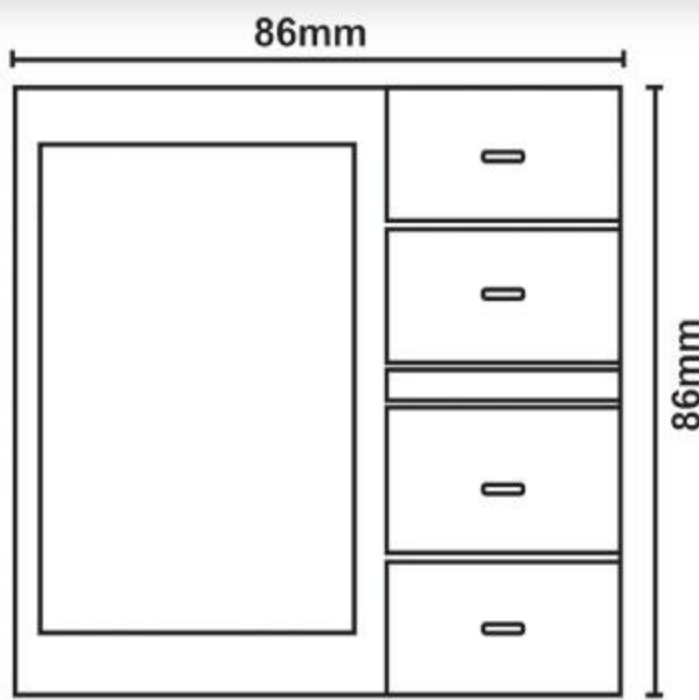
CCT : Tunable & Dimmable

Material : Aluminium + PC

Dimming : 10 Step Dimming

Application : Smartobuddy





PRODUCT SPECIFICATIONS

Product Type : Zigbee Scene Controller

Product Name : Display + Button Scene Controller

Product Code : UHLF-I-PANO

Size : 86*86*36MM

Power Input : AC110V-240V, V50/60Hz

Power Supply: 16A Per Switch

Load Type : Energy-Saving Lamp, Incandescent Lamp, Led Lamp

Screen Size : 3.1 Inch Touch Screen

Load Range : <10A/ Channel [2 Channels in Total]

Glass : 2mm Toughened Glass

Communication : Wifi/ Blue/ Zigbee/ Lan

Work Environment : Temperature 0°C To 45°C

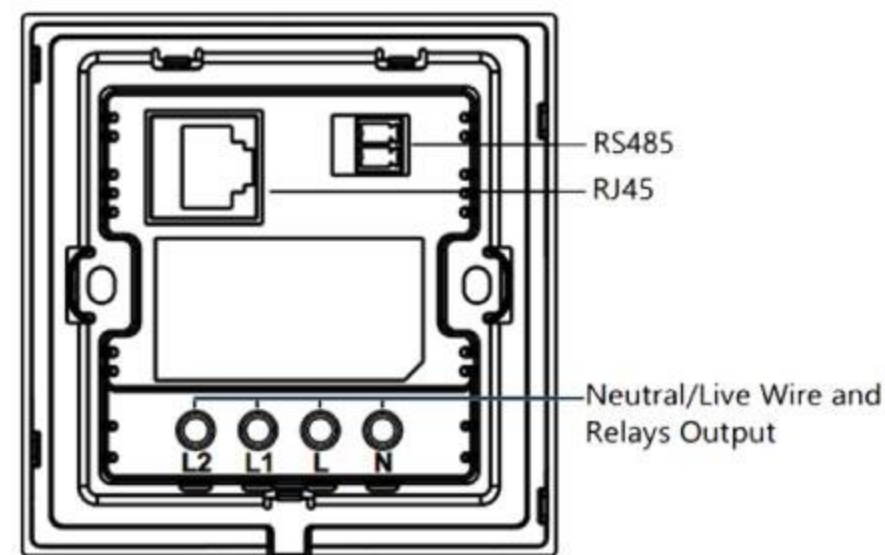
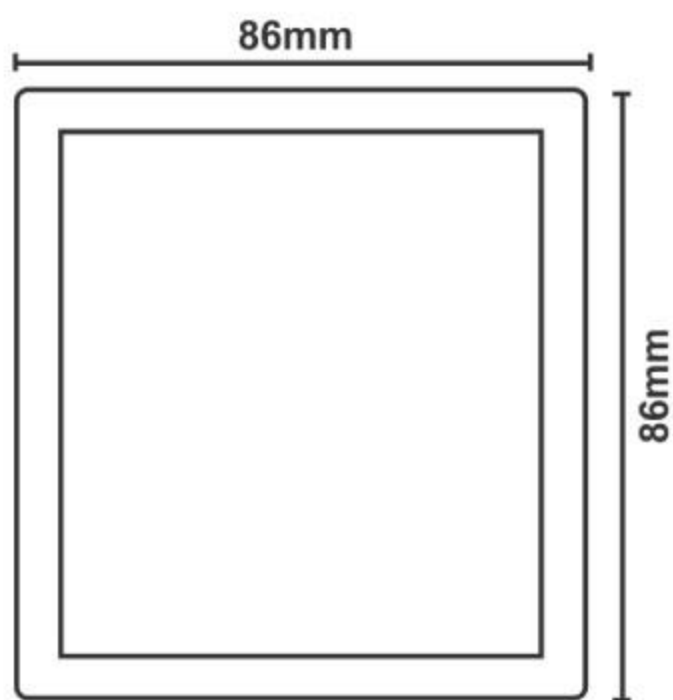
Humidity 5%-90% RH (Non- Condensing)

Physical Button : 4 Channel, Support 2 Relays

Resolution : 480*800

OS / Application : Smartobuddy / Android





PRODUCT SPECIFICATIONS

Product Type : Zigbee Scene Controller

Product Name : 4 inch Display Scene Controller

Product Code : UHLF-4-WHOLE-HOME-CONTROL-PANEL

Screen : 4 Inch LCD

Type of Communication : Wifi / Zigbee

Power Supply Type : 100-240V AC 50/60HZ

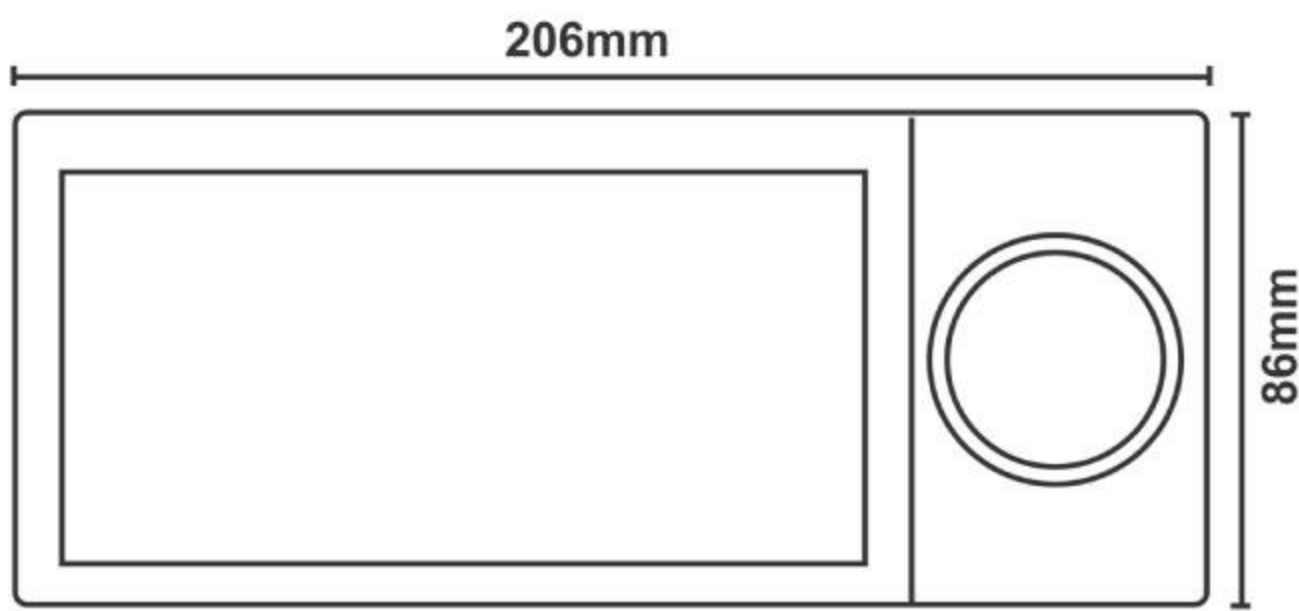
Product Size : 86 x 86 x 10mm

Touch Type : Feather Touch

Material : ABS / GLASS

Application : Smartobuddy





PRODUCT SPECIFICATIONS

Product Type : Zigbee Scene Controller

Product Name : 6 inch Display Scene Controller

Product Code : UHLF-6-WHOLE-HOME-CONTROL-PANEL

Screen : 6 Inch LCD

Type of Communication : Wifi / Zigbee

Power Supply Type : 100-240V AC 50/60HZ

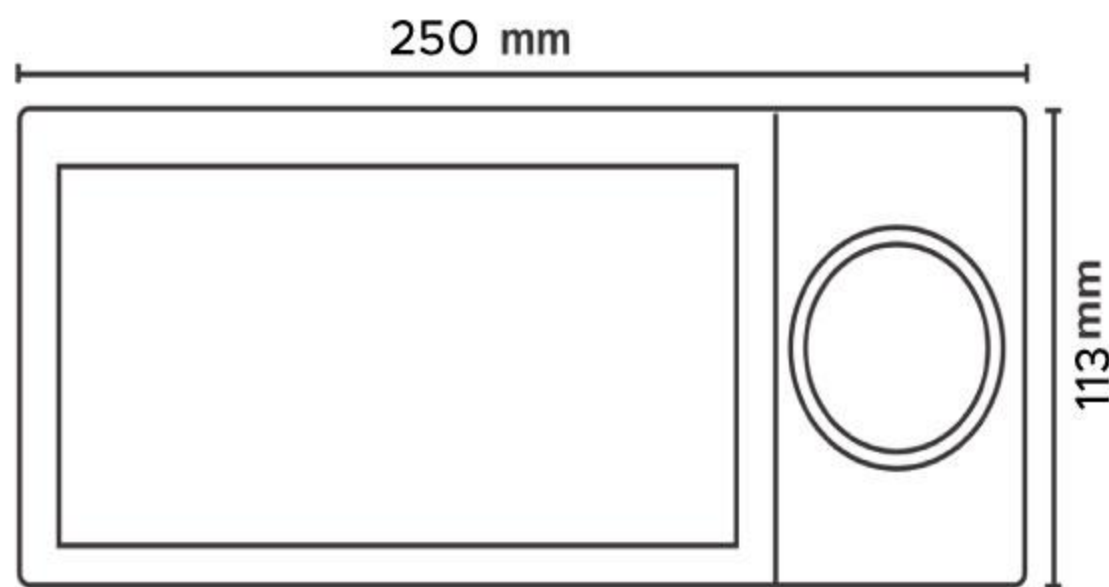
Product Size : 206 x 86 x 37mm

Touch Type : Feather Touch

Material : ABS / GLASS

Application : Smartobuddy





PRODUCT SPECIFICATIONS

Product Type : Zigbee Scene Controller

Product Name : 8 inch Display Scene Controller

Product Code : UHLF-8-WHOLE-HOME-CONTROL-PANEL

Screen : 8 Inch LCD

Type of Communication : Wifi / Zigbee

Ouput Power : 2*20W

Application : Smartobuddy

Power Supply Type : 100-240V AC 50/60HZ

Product Size : 250*133*10mm

Harmonic Distoration : 0.03%

CPU Frequency : 1.5GHz

Frequency Response: 20Hz-20Khz

Material : ABS

Running Memory : 1GB(2GB)





PRODUCT SPECIFICATIONS

Product Type : Zigbee Scene Controller

Power Supply Type : 100-240V AC 50/60HZ

Product Name : 10 inch Display Scene Controller

Product Size : 250*133*10mm

Code : UHLF-10-WHOLE-HOME-CONTROL-PANEL

Harmonic Distortion : 0.03%

Screen : 10 Inch LCD

CPU Frequency : 1.5GHz

Type of Communication : Wifi / Zigbee

Frequency Response: 20Hz-20Khz

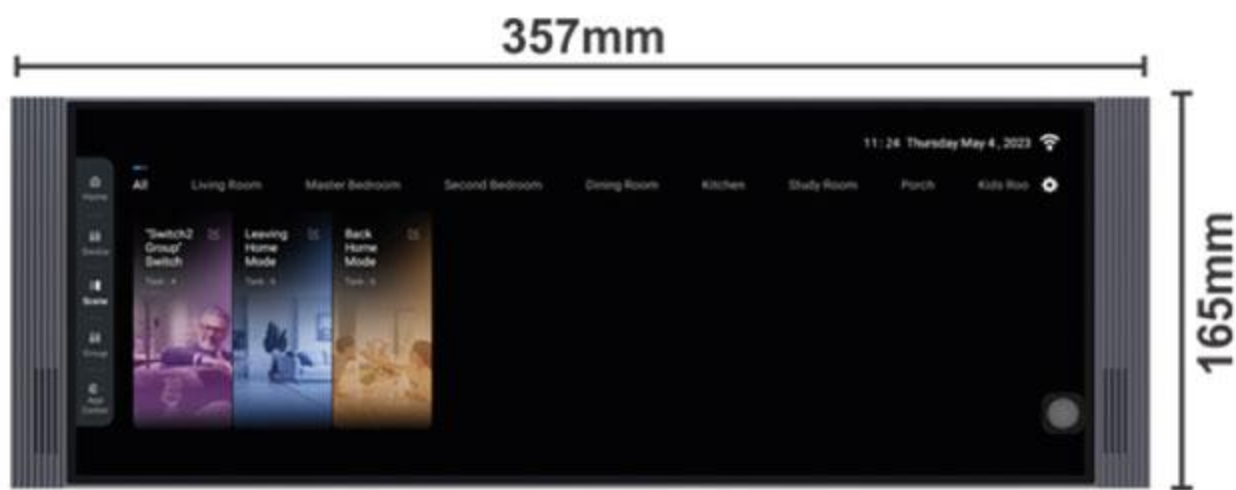
Output Power : 2*20W

Material : ABS

Application : Smartobuddy

Running Memory : 1GB(2GB)





PRODUCT SPECIFICATIONS

Product Type : Zigbee Scene Controller

Product Name : 12 inch Display Scene Controller

Product Code : UHLF-12-WHOLE-HOME-CONTROL-PANEL

Screen : 12 Inch LCD

Type of Communication : Wifi / Zigbee

Ouput Power : 2*20W

Application : Smartobuddy

Power Supply Type : 100-240V AC 50/60HZ

Product Size : 357*165*11mm

Harmonic Distoration : 0.03%

CPU Frequence : 1.5GHz

Frequency Response: 20Hz-20Khz

Material : ABS

Running Memory : 1GB(2GB)



WIRELESS REMOTE





PRODUCT SPECIFICATIONS

Product Type : Zigbee Wireless Remote

Product Name : Wireless Rotary Remote

Product Code : UHLF-ZIGBEE-ROTARY-REMOTE

Size : 44.8*44.8*18.78MM

Buil-In Battery : CR2032

Operating Voltage : DC 3V

Working Current : Standby Current <5uA

Maximum Current: <10mA

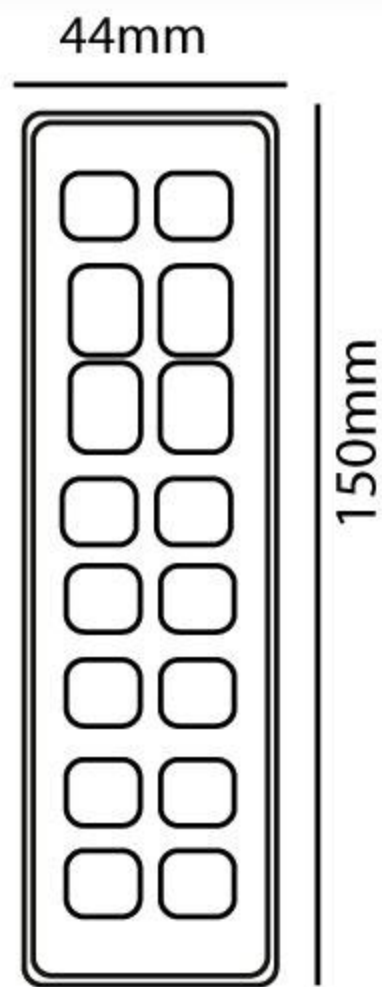
Material : PC

Wireless : Zigbee 3.0

Transmissin Distance : Open Range >30M

Operating Environment : 5 °C To 45 °C





PRODUCT SPECIFICATIONS

Product Type : Zigbee Wireless Remote

Scenes : 4 Scenes + 4 Group

Product Name : Handy Remote

Support : USB C Charge

Product Code : UHLF-4+4-KEY-REMOTE

Controler Range : >15-30m

CCT : 3000K to 6000K

Material : Aluminium + PVC

Dimming : 10 Steps Dimming

Protocol : RF 2.4 GHZ Wireless , Zigbee

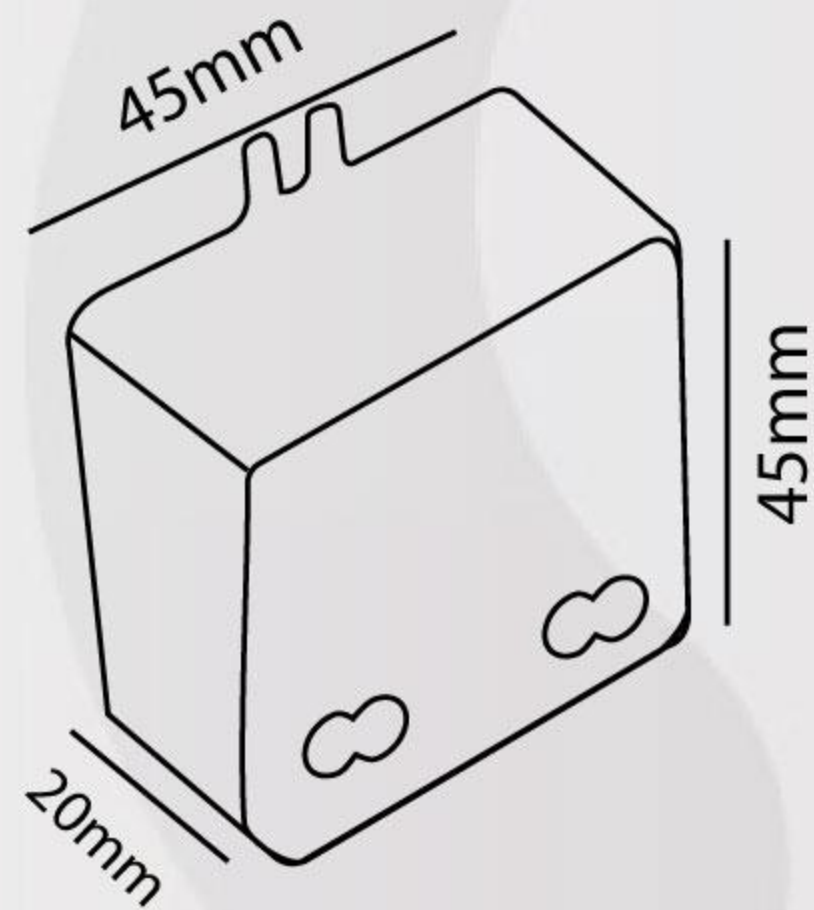


SMART DRIVERS & CONTROLLER



UNISER

SMART DRIVERS AND CONTROLLER



PRODUCT SPECIFICATIONS

Product Type : Zigbee On/ Off Controller

Product Name : On/Off Controller

Product Code : UHLF-ON/OFF-CONTROLLER

Wattage : 200W (LED) 400W BULB

Input Voltage : 90-265V

Output Voltage : 220V

Power Factor : 0.9 PF

Signal Distance : 30M

Material : PVC

Power Consumption : <math>< 0.5w</math>

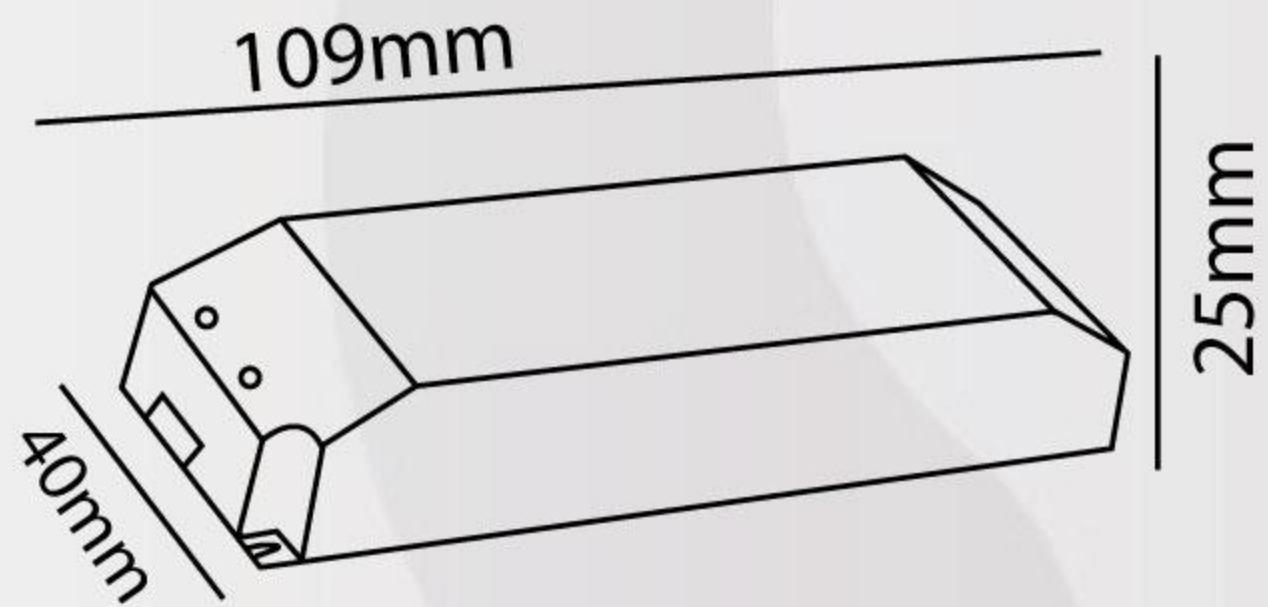
Protocol : 2.4G / Bluetooth + 2.4G/ Zigbee

Surge Protection : 1.5kV built-in



UNISER

SMART DRIVERS AND CONTROLLER



PRODUCT SPECIFICATIONS

Product Type : Zigbee Dimmable Driver

Product Name : Dimmable Driver

Product Code : UHLF-DIMMABLE-DRIVER

Wattage : 7W(36V 150MA), 12W (36V 300MA), 15W(36V 350MA),
20W (36V 500MA), 30W (36V 700MA)

Input Voltage : AC-175-265V

Output Voltage : DC-27V-38V

Power Factor : >0.5PF

Signal Transmission : 30M

Material : PC

IP Rating : IP20

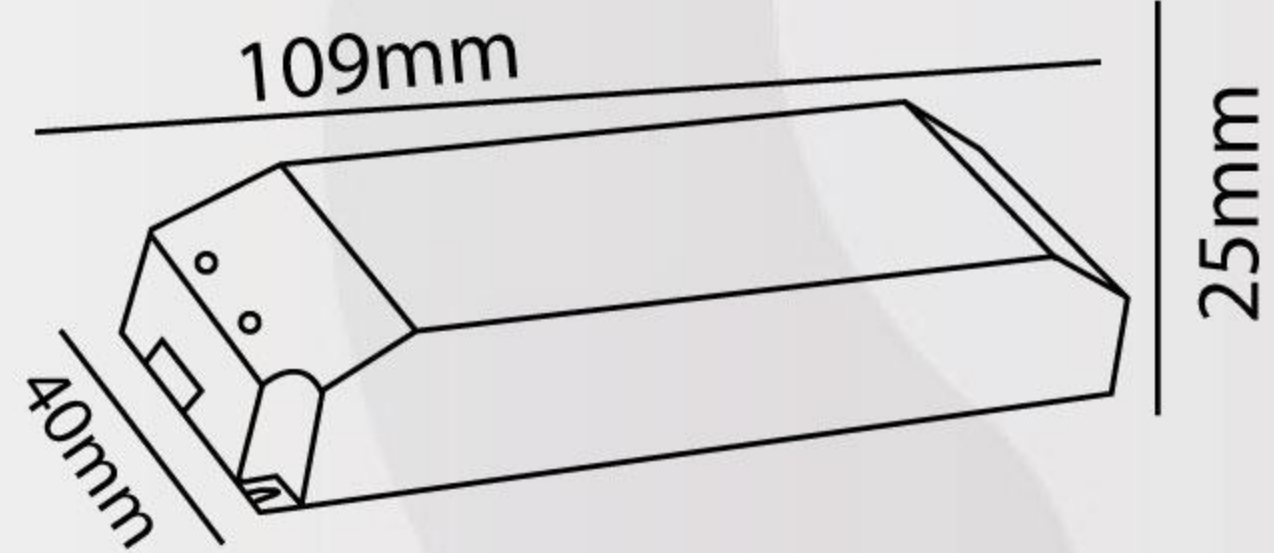
Protocol : 2.4G / Bluetooth + 2.4G/ Zigbee

Type : Only Dimmable



UNISER

SMART DRIVERS AND CONTROLLER



PRODUCT SPECIFICATIONS

Product Type : Zigbee Dimmable + Tunable Driver

Product Name : Dimmable + Tunable Driver

Product Code : UHLF-DIM+ CCT-DRIVER

Wattage : 7W(36V 150MA), 12W (36V 300MA), 15W(36V 350MA),
20W (36V 500MA), 30W (36V 700MA)

Input Voltage : AC-175-265V

Output Voltage : DC-27V-38V

Power Factor : >0.5PF

Signal Transmission : 30M

Material : PC

IP Rating : IP20

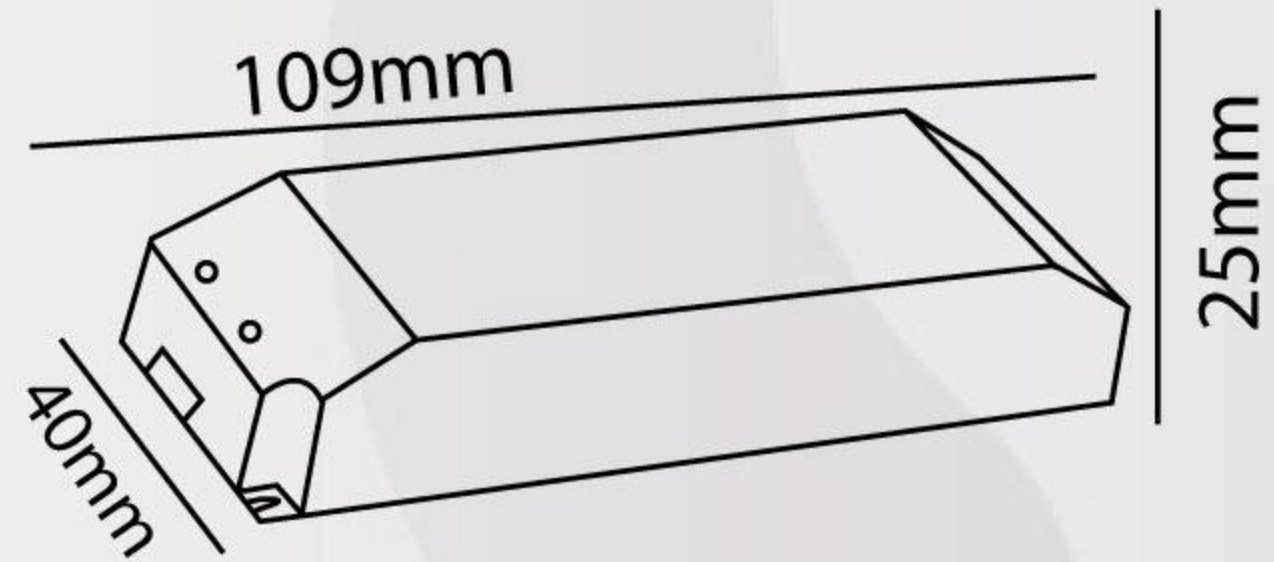
Protocol : 2.4G / Bluetooth + 2.4G/ Zigbee

Type : Tunable + Dimmable



UNISER

SMART DRIVERS AND CONTROLLER



PRODUCT SPECIFICATIONS

Product Type : Zigbee RGB + CW Driver

Product Name : RGB + CW Driver

Product Code : UHLF-RGB-CW-Driver

Wattage : 7W(36V 150MA), 12W (36V 300MA)

Input Voltage : AC-175-265V

Output Voltage : DC-27V-38V

Power Factor : >0.5PF

Signal Transmission : 30M

Material : PC

IP Rating : IP20

Protocol : 2.4G/ Zigbee

Type : 16 Million Colour Tuneable and Dimmable



UNISER

SMART DRIVERS AND CONTROLLER



PRODUCT SPECIFICATIONS

Product Type : Zigbee Round Dimmable Driver

Product Name : Round Dimmable Driver

Product Code : UHLF-RND-DIMMABLE-DRIVER

Wattage : 7W(36V 150MA), 12W (36V 300MA), 20W (36V 500MA)

Input Voltage : AC-175-265V

Output Voltage : DC-27V-38V

Power Factor : >0.5PF

Signal Transmission : 30M

Material : PC

IP Rating : IP20

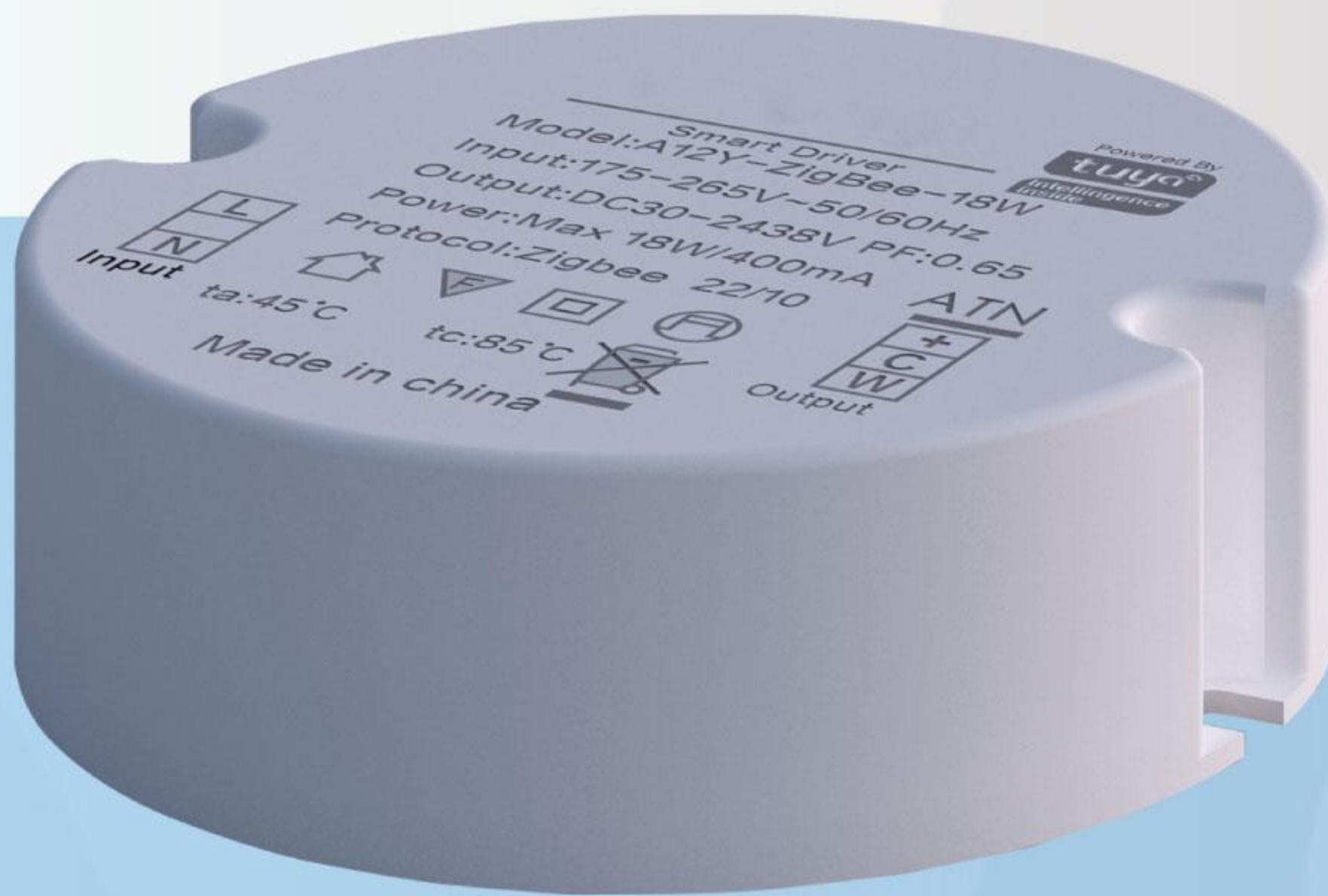
Protocol : 2.4G / Bluetooth + 2.4G/ Zigbee

Type : Only Dimmable



UNISER

SMART DRIVERS AND CONTROLLER



PRODUCT SPECIFICATIONS

Product Type : Zigbee Round Dimmable + Tunable Driver

Power Factor : >0.5PF

Product Name : Round Dimmable + Tunable Driver

Signal Transmission : 30M

Product Code : UHLF-DIM+CCT-DRIVER

Material : PC

Wattage : 7W(36V 150MA), 12W (36V 300MA), 20W (36V 500MA)

IP Rating : IP20

Input Voltage : AC-175-265V

Protocol : 2.4G / Bluetooth + 2.4G/ Zigbee

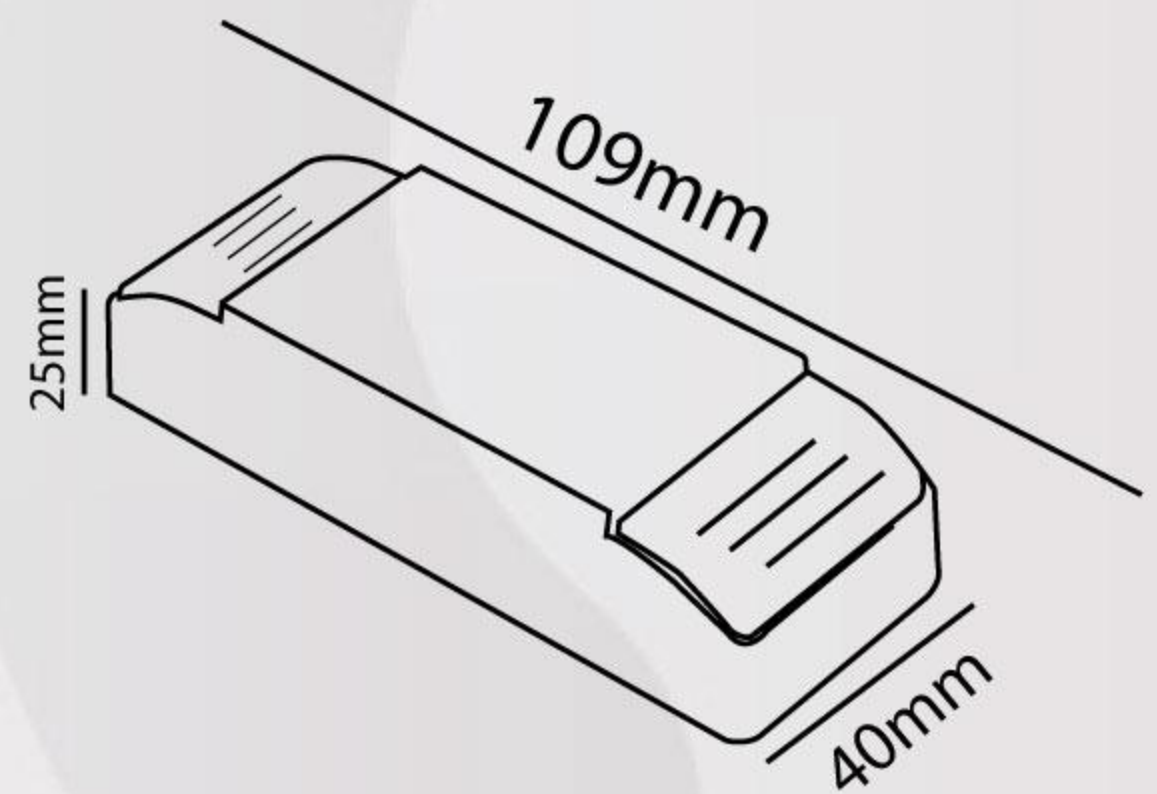
Output Voltage : DC-27V-38V

Type : Only Dimmable



UNISER

SMART DRIVERS AND CONTROLLER



PRODUCT SPECIFICATIONS

Product Type : Zigbee Strip Controller

Product Name : Strip Controller

Product Code : UHLF-STRIP-CONTROLLER-PC

Wattage : 12V-120W, 24V-240W

Input Voltage : 12V-24V

Output Voltage : 12V-24V

Dimming : 10 Steps Dimming

Signal Transmission : 30M

Material : PC

IP Rating : IP20

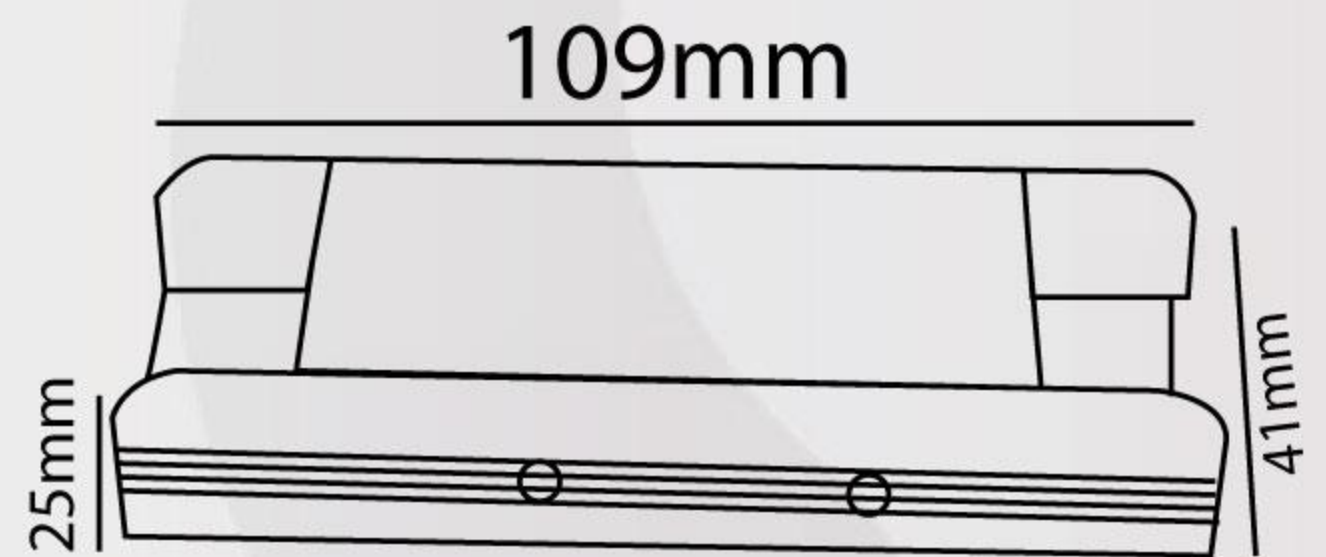
Protocol : 2.4G / Bluetooth + 2.4G/ Zigbee

Type : RGB CCT/ CCT/ Only Dimmable



UNISER

SMART DRIVERS AND CONTROLLER



PRODUCT SPECIFICATIONS

Product Type : Zigbee Strip Controller

Product Name : Strip Controller

Product Code : UHLF-STRIP-CONTROLLER

Wattage : 12V-120W, 24V-240W

Input Voltage : 12V-24V

Output Voltage : 12V-24V

Dimming : 10 Steps Dimming

Signal Transmission : 30M

Material : Aluminium

IP Rating : IP20

Protocol : 2.4G / Bluetooth + 2.4G/ Zigbee

Type : RGB CCT/ CCT/ Only Dimmable



SMART
GATEWAY





PRODUCT SPECIFICATIONS

Product Type : ZIGBEE GATEWAY

Product Name : GATEWAY

Product Code : UHLF-ZIGBEE-GATEWAY

Input Voltage : DC 5V 1A Micro USB

Standby Power : 0.5W

Frequency : 2.4GHz

Protocol: Zigbee 3.0, IEEE 802.15.4

Material : PVC

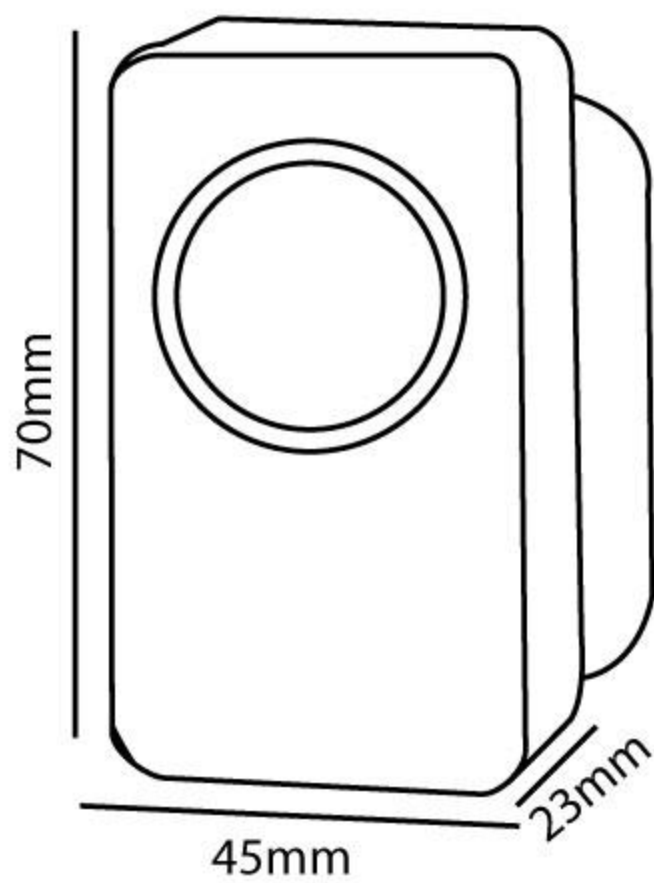
Working Temp : 0°C ~ 50°C

Range : 55M



SMART
SENSOR





PRODUCT SPECIFICATIONS

Product Type : WiFi PIR Motion Sensor Wireless

Material : PC Flame Retardant V0

Product Name : PIR Motion Sensor

Protocol: 2.4GHZ IEEE 802.11b/g/n

Product Code : UHLF-PIR-MOTION-SENSOR

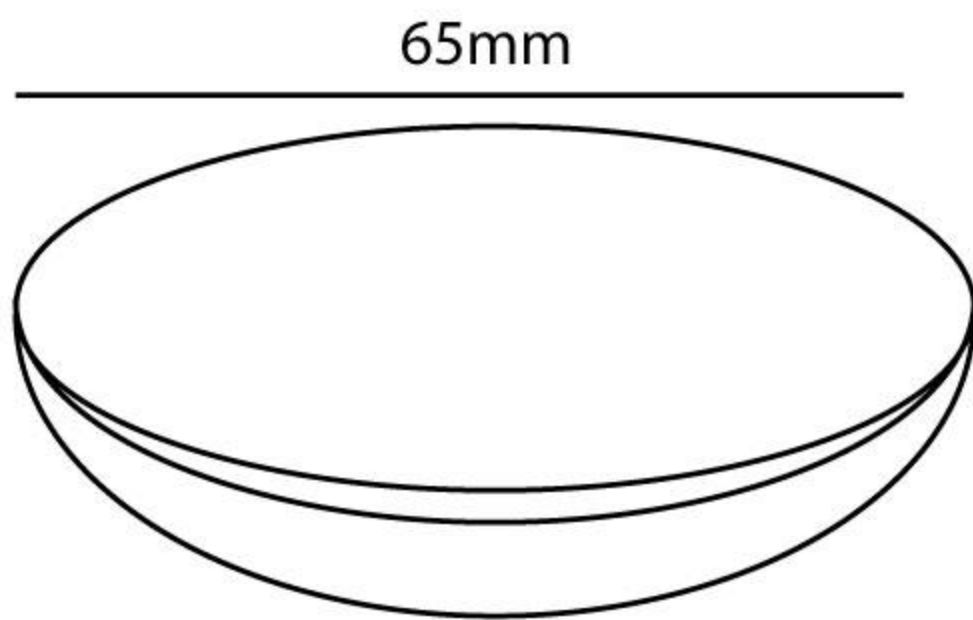
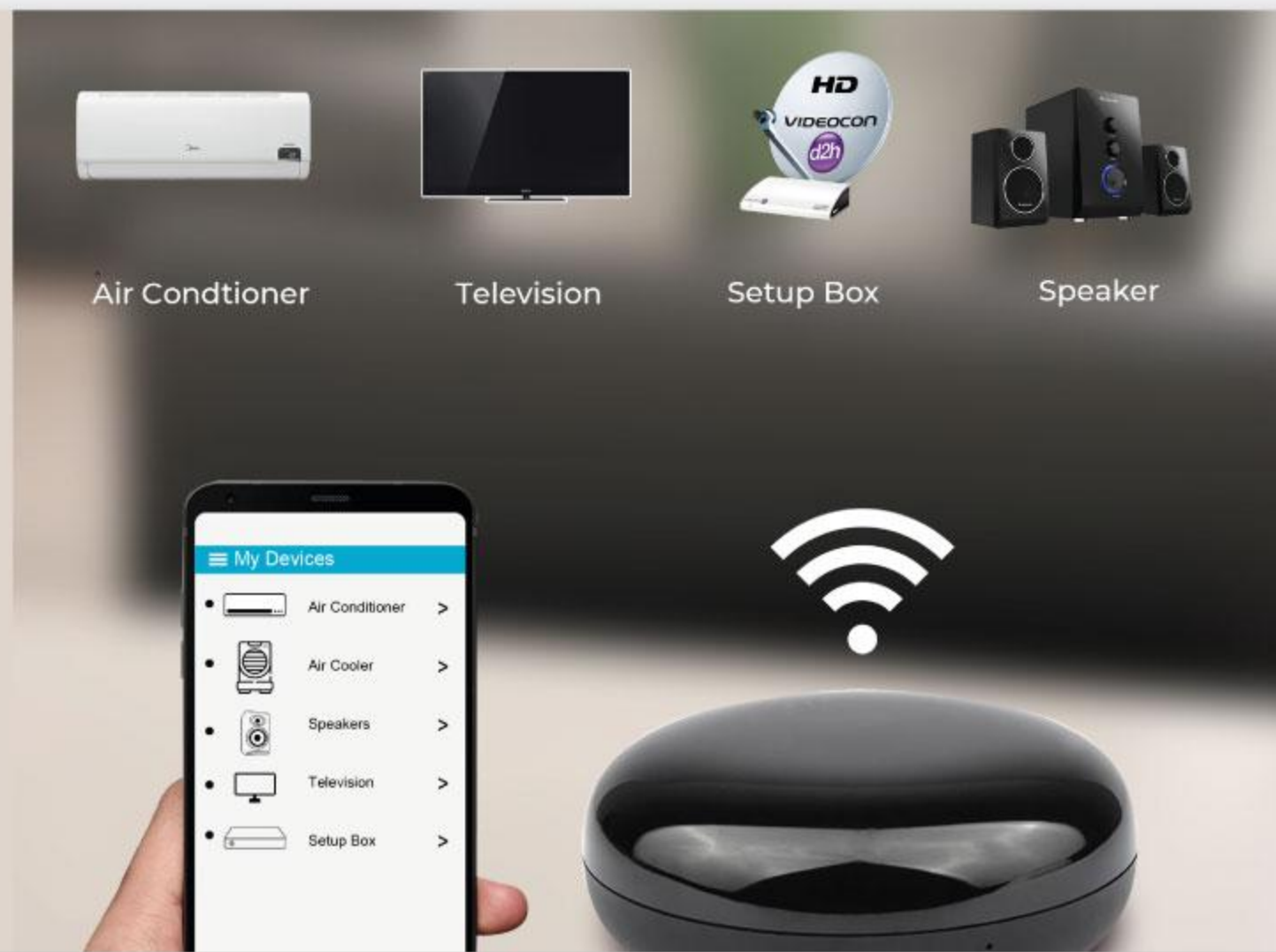
Downview : 128°

Beam Angle : 120°

Side View : 128°

Detection Distance : <10m





PRODUCT SPECIFICATIONS

Product Type : WiFi IR Blaster

Product Name : IR Blaster

Product Code : UHLF-IR-BLASTER

Input Voltage : 5V 1A (USB Cable Included)

Control : IR Remote Controlled

Power Factor : 0.9 PF

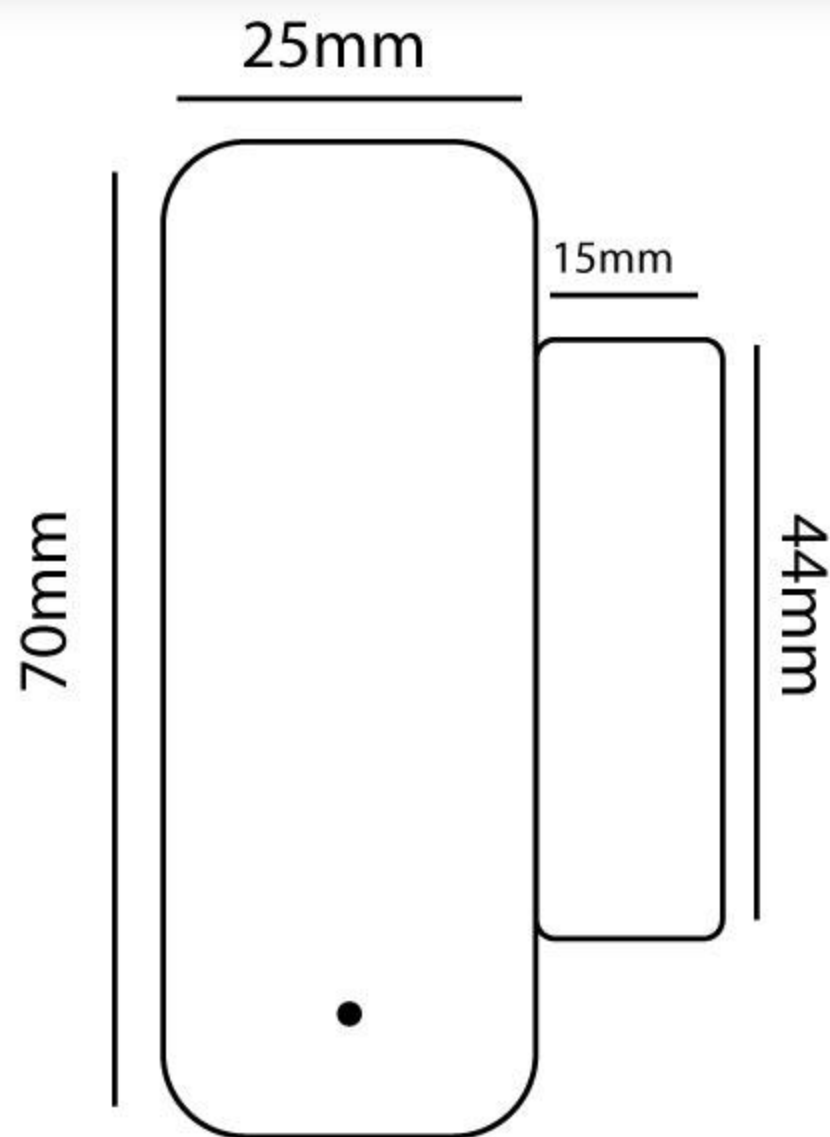
Protocol: Wifi to IR

Material : PVC

Working Humidity : < 85% RH

Range : 10M





PRODUCT SPECIFICATIONS

Product Type : WiFi Door Sensor

Product Name : Door Sensor

Product Code : UHLF-DOOR-SENSOR

Control Distance : <10mm

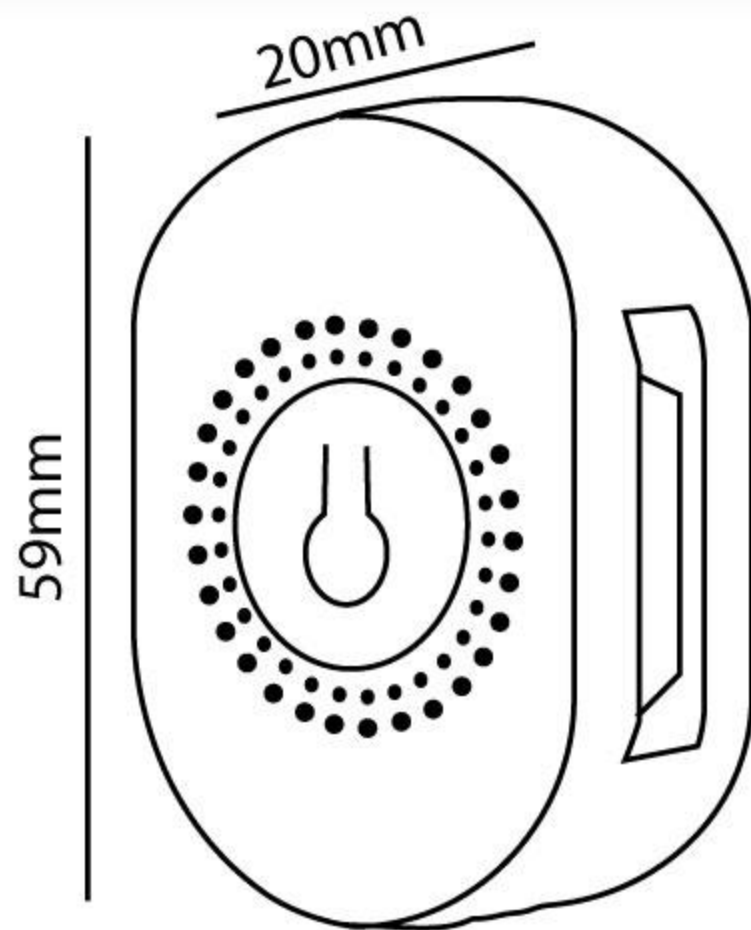
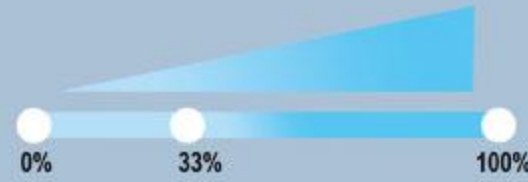
Input Voltage : AAA1.5X2 (Battery)

Protocol : 2.4GHz IEEE 802 .11b/g/n

Material : PVC



Mini Light Dimmer



PRODUCT SPECIFICATIONS

Product Type : WiFi Light Dimmer Controller

Power : 2.4GHz IEEE 802 .11b/g/n

Product Name : Light Dimmer Controller

Material : PVC

Product Code : UHLF-MINI-LIGHT-DIMMER

Protocol : 2.4GHZ IEEE 802.11b/g/n

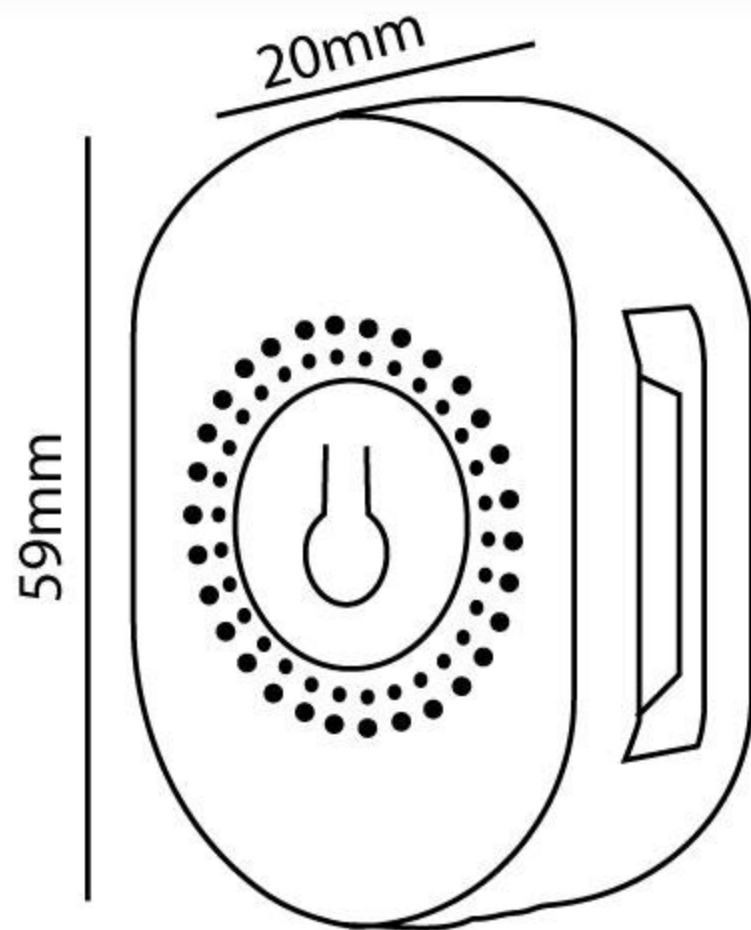
Compatibility : Dimmable Lamps

Size : 59mm*42mm*20mm

Dimming : 0-100 Brightness



Mini Fan Switch



PRODUCT SPECIFICATIONS

Product Type : WiFi Fan Controller

Power : 2.4GHz IEEE 802 .11b/g/n

Product Name : Fan Controller

Material : PVC

Product Code : UHLF-FAN-SWITCH

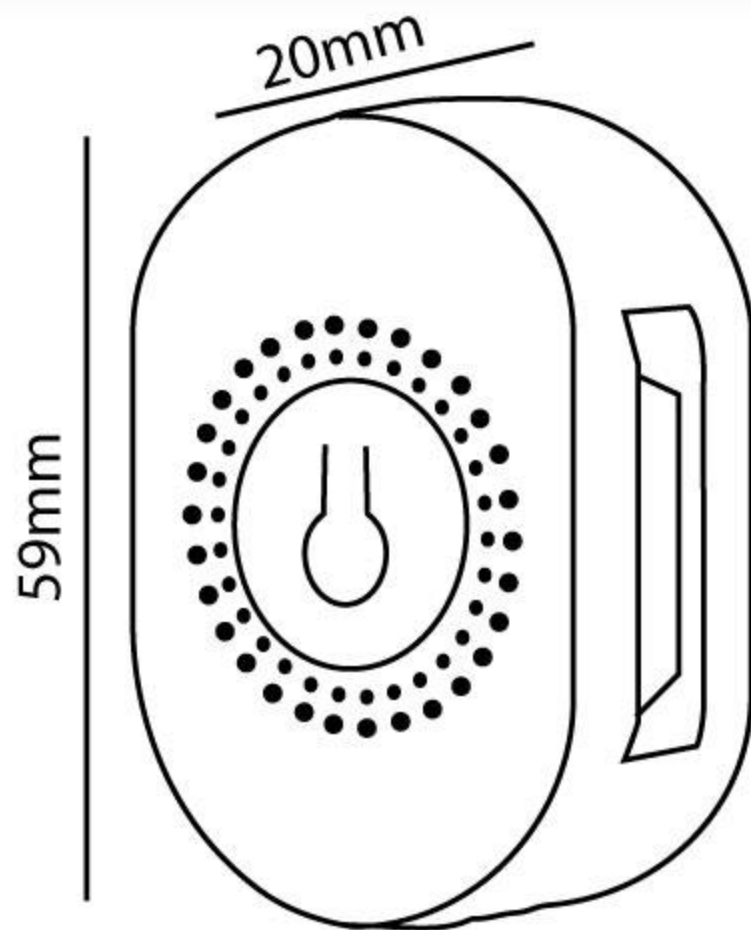
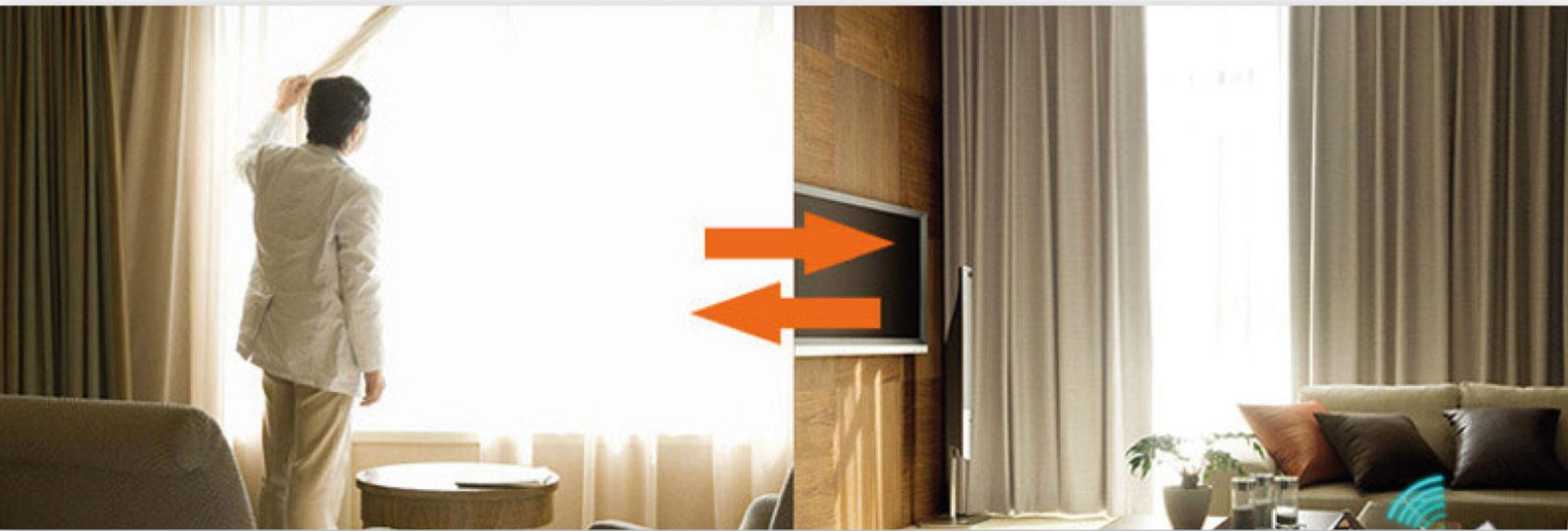
Protocol : 2.4GHZ IEEE 802.11b/g/n

Compatibility : Normal AC Motor fans

Size : 59mm*42mm*20mm

Speed Control : 0-100 Speed Adjustment





PRODUCT SPECIFICATIONS

Product Type : WiFi Curtain Motor Controller

Power : 2.4GHz IEEE 802 .11b/g/n

Product Name : Curtain Motor Controller

Material : PVC

Product Code : UHLF-CURTAIN-CONTROLLER

Protocol : 2.4GHZ IEEE 802.11b/g/n

Compatibility : 4-Wire Curtain Motor

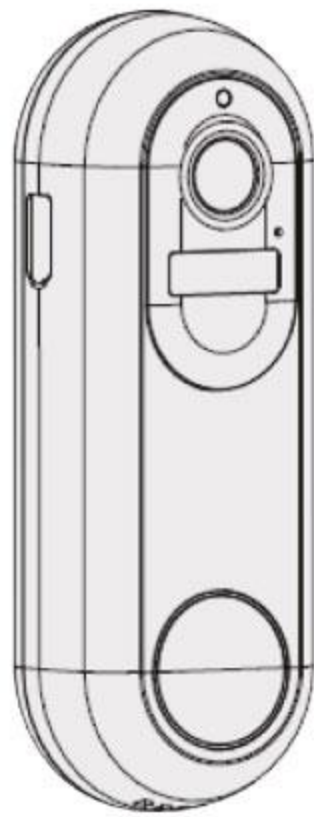
Size : 59mm*42mm*20mm

Control: Open/Close/Stop Curtain



SMART
DOORBELL





PRODUCT SPECIFICATIONS

Product Type : Zigbee Doorbell

Product Name : Doorbell

Product Code : UHLF-DOORBELL

PIR Sensor Range : 10Meter

SD Card Slot : Supported Local SD Card (Up to30GB)

Video Format : H264 Encoding Format

Operating Format : Android IOS

Lens : Supported FHD 1080 Resolution

Microphone : Capture Sound For Your video

Controler Range : >15-30m

Battery Capacity : 5000mAh *2

Speakers : Two-Way Audio Output

Cloud Platform : Doodle

Language : English



UNISER SMARTSPACES



Uniser SmartSpaces Pvt. Ltd.

HO: 310, Lotus House, New Marine Lines, Mumbai 400020, India

Experience Lounge: 1st Floor, Thacker Industrial Estate, Lower Parel
Mumbai 400011, India

Manufacturing Facility: Aaima Industrial Estate, Vasai (E),
Palghar 401 208, MH, India

☎ +91-22-35114465 | +91-22-22000515

📞 +91-9867625686

✉ projects@uniserledlights.com | projects@unisersmartspaces.com

🌐 www.uniserledlights.com | www.unisersmartspaces.com