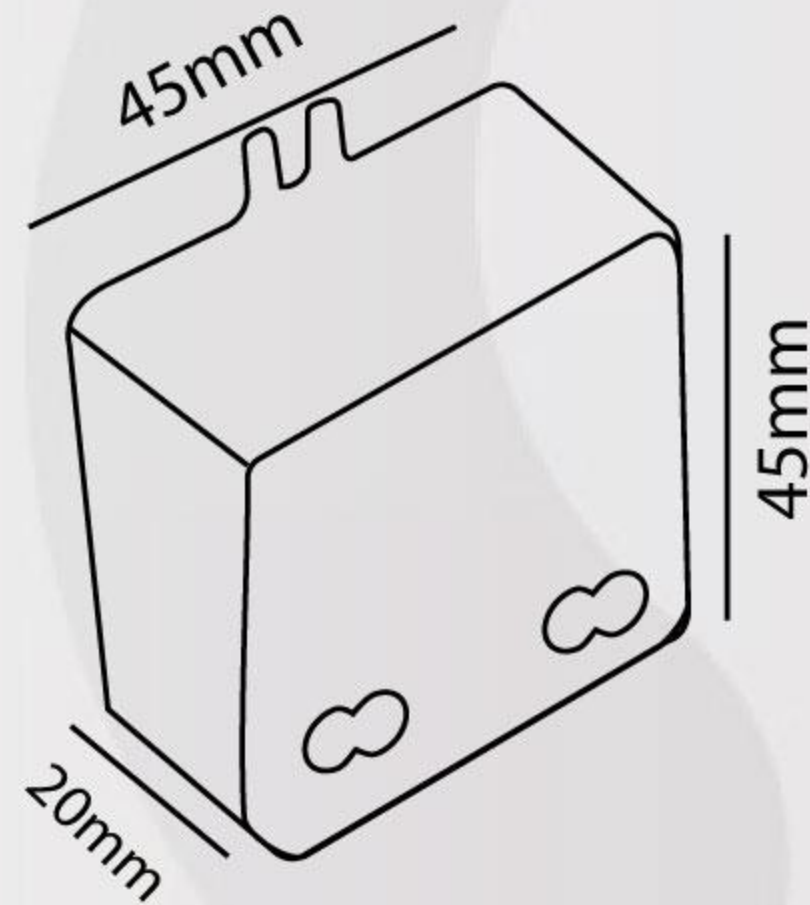


UNISER

SMART DRIVERS AND CONTROLLER



PRODUCT SPECIFICATIONS

Product Type : Zigbee On/ Off Controller

Product Name : On/Off Controller

Product Code : UHLF-ON/OFF-CONTROLLER

Wattage : 200W (LED) 400W BULB

Input Voltage : 90-265V

Output Voltage : 220V

Power Factor : 0.9 PF

Signal Distance : 30M

Material : PVC

Power Consumption : <math>< 0.5w</math>

Protocol : 2.4G / Bluetooth + 2.4G/ Zigbee

