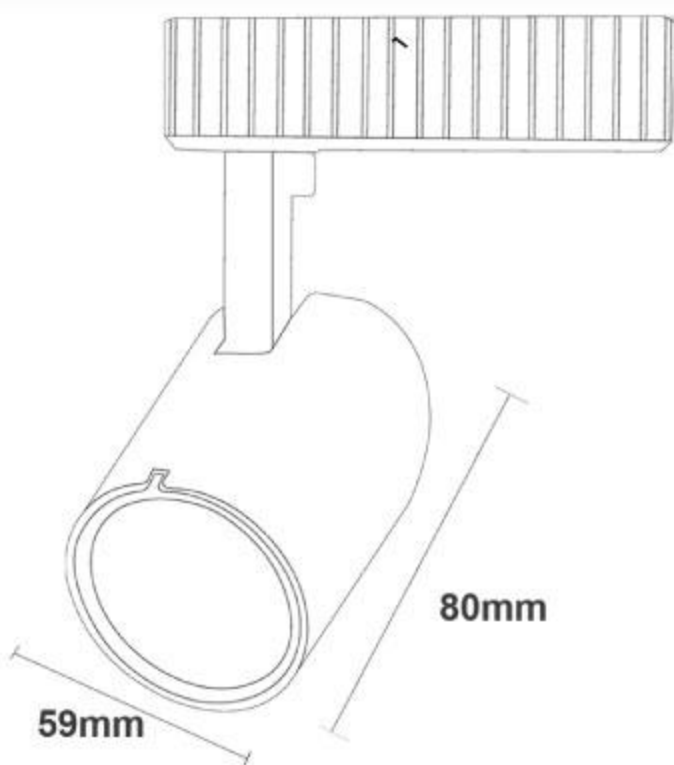


TRACK LIGHT SERIES





PRODUCT SPECIFICATIONS

Product Type : Track Light

Product Name : Track Spot

Product Code : UHLS-09TR

Wattage : 09W

CCT : 3000K / 4000K / 6000K

Outer Body Color : White / Black

Input Voltage : 185-265V

Inner Body Color : White / Black

CRI : 80

THD : <15

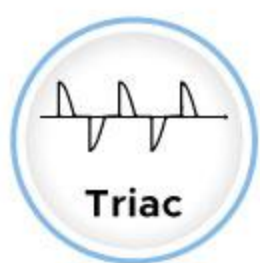
Operating Temperature : -10°C to +60°C

Material : Aluminium

Beam Angle : 24°

LED : CREE

DRIVER OPTIONS



SPECIAL ADDITIONAL FEATURES



Control by
Remote, Keypad, APP



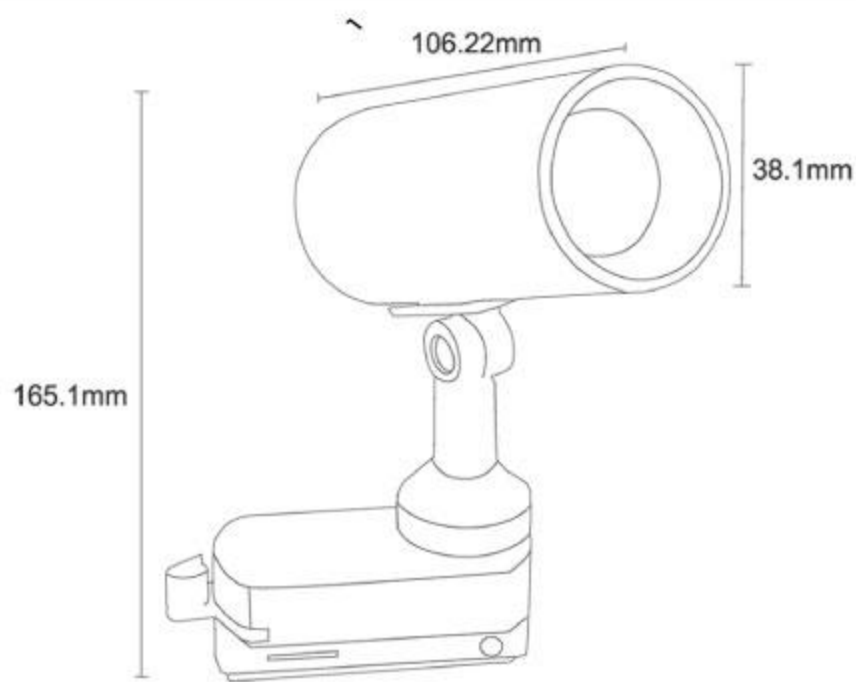
Voice Assistance



Scene Control by
Remote, Keypad, APP



CCT Tunable



PRODUCT SPECIFICATIONS

Product Type : Track Light

Inner Body Color : White / Black

Product Name : Track Spot

CRI : 80

Product Code : UHLS-14-3535-TR

THD : <15

Wattage : 14W

Operating Temperature : -10°C to +60°C

CCT : 3000K / 4000K / 6000K

Material : Aluminium

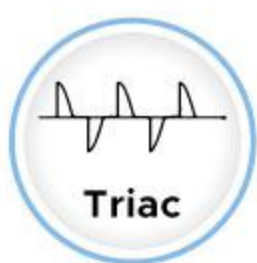
Outer Body Color : White / Black

Beam Angle : 40°

Input Voltage : 185-265V

LED : CREE

DRIVER OPTIONS



SPECIAL ADDITIONAL FEATURES



Control by
Remote, Keypad, APP



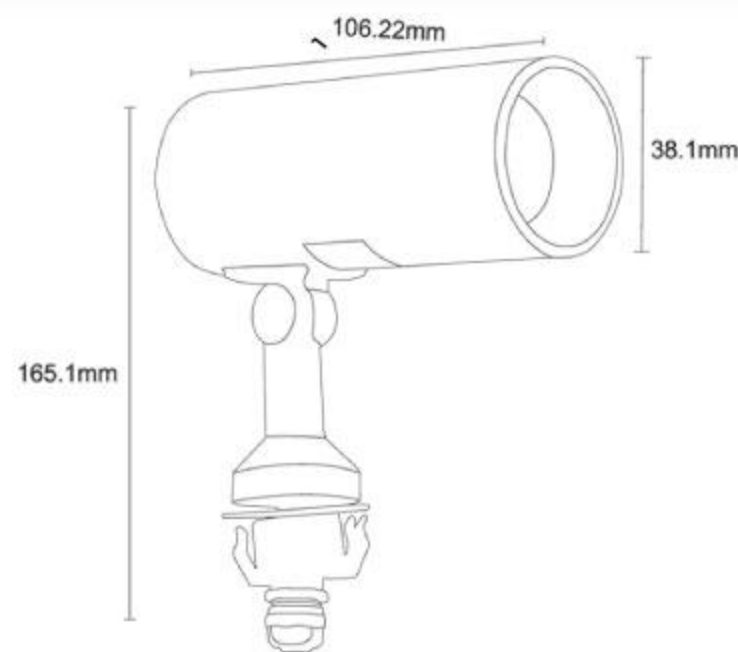
Voice Assistance



Scene Control by
Remote, Keypad, APP



CCT Tunable



PRODUCT SPECIFICATIONS

Product Type : Track Light

Inner Body Color : White / Black

Product Name : Track Spot

CRI : 80

Product Code : UHLS-14-3535-CD

THD : <15

Wattage : 14W

Operating Temperature : -10°C to +60°C

CCT : 3000K / 4000K / 6000K

Material : Aluminium

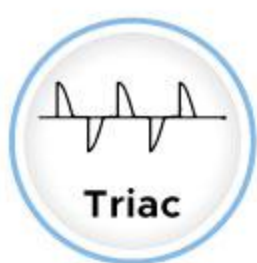
Outer Body Color : White / Black

Beam Angle : 40°

Input Voltage : 185-265V

LED : CREE

DRIVER OPTIONS



SPECIAL ADDITIONAL FEATURES



Control by Remote, Keypad, APP



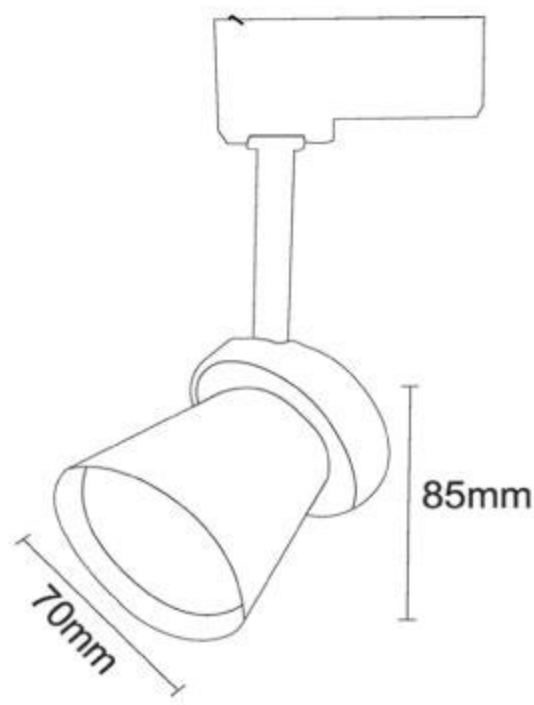
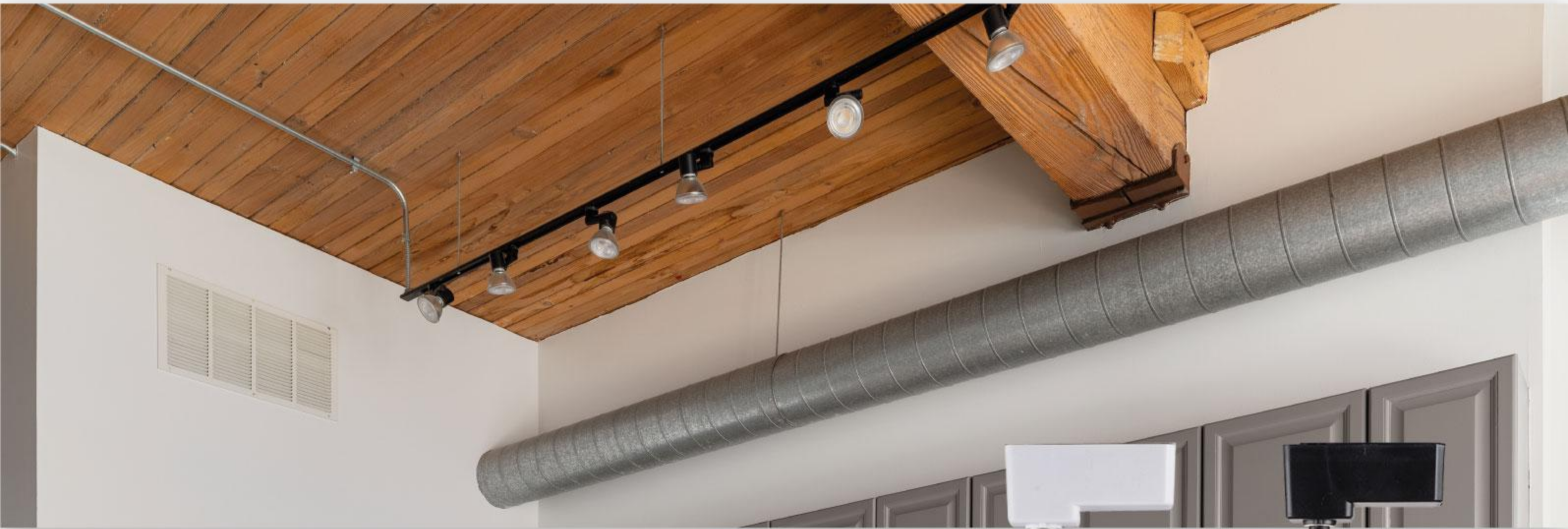
Voice Assistance



Scene Control by Remote, Keypad, APP



CCT Tunable



PRODUCT SPECIFICATIONS

Product Type : Track Light

Inner Body Color : White / Black

Product Name : Track Spot

CRI : 80

Product Code : UHLS-14-3535-CREE

THD : <15

Wattage : 14W

Operating Temperature : -10°C to +60°C

CCT : 3000K / 4000K / 6000K

Material : Aluminium

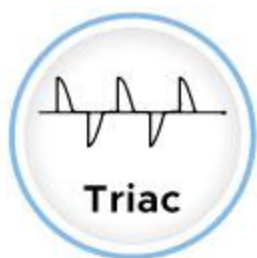
Outer Body Color : White / Black

Beam Angle : 40°

Input Voltage : 185-265V

LED : CREE

DRIVER OPTIONS



SPECIAL ADDITIONAL FEATURES



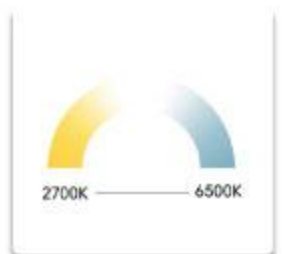
Control by
Remote, Keypad, APP



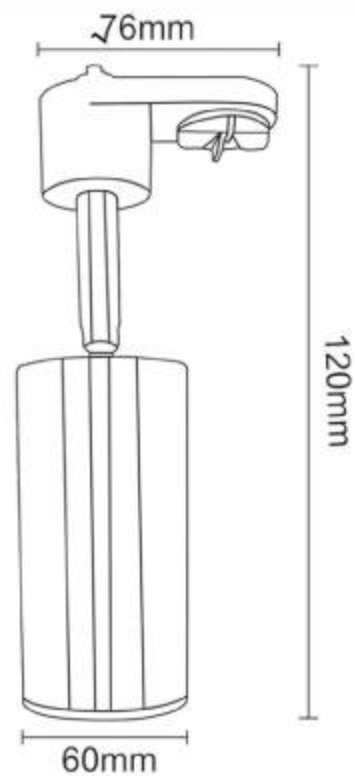
Voice Assistance



Scene Control by
Remote, Keypad, APP



CCT Tunable



PRODUCT SPECIFICATIONS

Product Type : Track Light

Product Name : Track Spot

Product Code : UHLS-14-TR-714

Wattage : 14W

CCT : 3000K / 4000K / 6000K

Outer Body Color : Gun Metal / Brass Gold / Rose Gold

Input Voltage : 185-265V

Inner Body Color : Gun Metal / Brass Gold / Rose Gold

CRI : 80

THD : <15

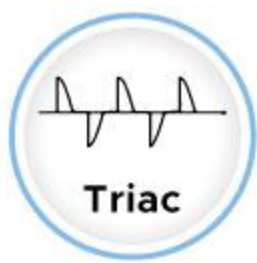
Operating Temperature : -10°C to +60°C

Material : Aluminium

Beam Angle : 40°

LED : CREE

DRIVER OPTIONS



SPECIAL ADDITIONAL FEATURES



Control by Remote, Keypad, APP



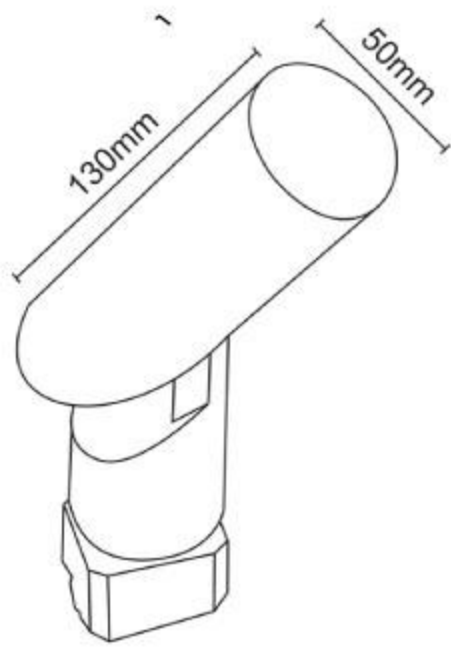
Voice Assistance



Scene Control by Remote, Keypad, APP



CCT Tunable



PRODUCT SPECIFICATIONS

Product Type :Track Light

Inner Body Color : White / Black

Product Name :Track Spot

CRI : 80

Product Code :UHLS-14-TR-02

THD : <15

Wattage : 14W

Operating Temperature : -10°C to +60°C

CCT : 3000K / 4000K / 6000K

Material : Aluminium

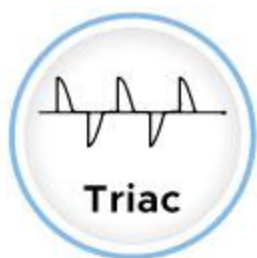
Outer Body Color : White / Black

Beam Angle : 120°

Input Voltage : 185-265V

LED : CREE

DRIVER OPTIONS



SPECIAL ADDITIONAL FEATURES



Control by
Remote, Keypad, APP



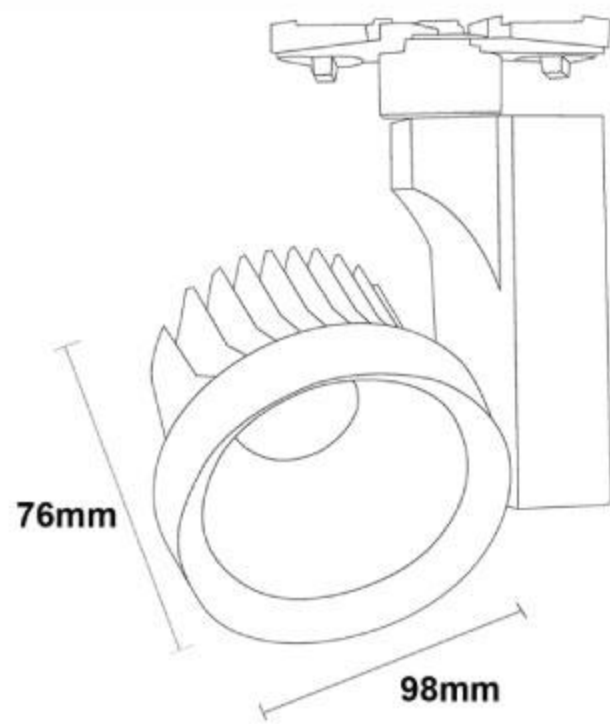
Voice Assistance



Scene Control by
Remote, Keypad, APP



CCT Tunable



PRODUCT SPECIFICATIONS

Product Type : Track Light

Product Name : Track Spot

Product Code :UHLS-21TR-02

Wattage : 21W

CCT : 3000K / 4000K / 6000K

Outer Body Color : White / Black

Input Voltage : 185-265V

Inner Body Color : White / Black

CRI : 80

THD : <15

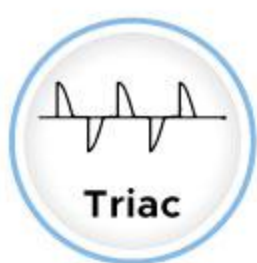
Operating Temperature : -10°C to +60°C

Material : Aluminium

Beam Angle : 24°

LED : CREE

DRIVER OPTIONS



SPECIAL ADDITIONAL FEATURES



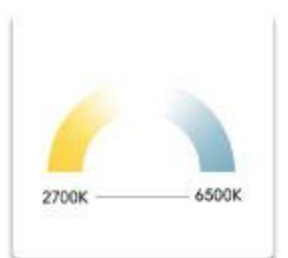
Control by
Remote, Keypad, APP



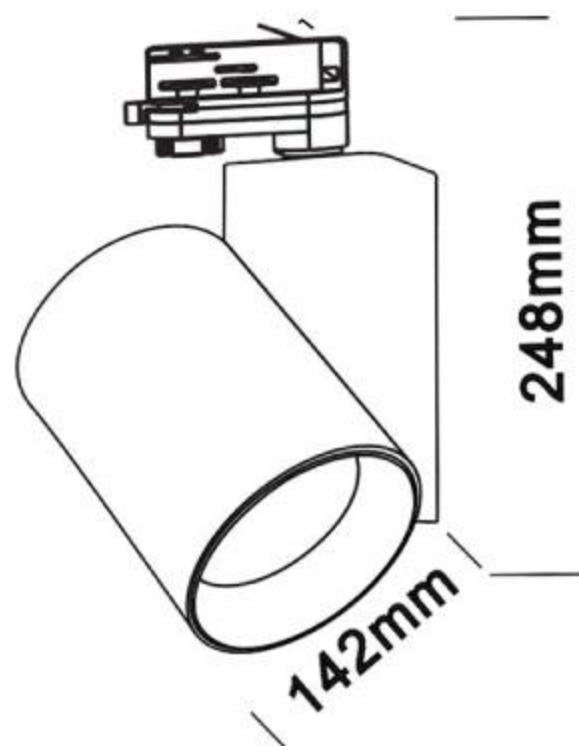
Voice Assistance



Scene Control by
Remote, Keypad, APP



CCT Tunable



PRODUCT SPECIFICATIONS

Product Type : Track Light

Product Name : Track Spot

Product Code : UHLS-36TR-1830

Wattage : 36W

CCT : 3000K / 4000K / 6000K

Outer Body Color : Coffee / Black

Input Voltage : 185-265V

Inner Body Color : Coffee / Black

CRI : 80

THD : <15

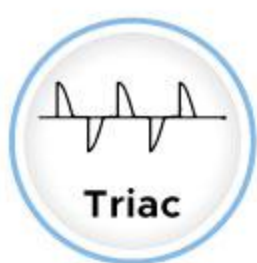
Operating Temperature : -10°C to +60°C

Material : Aluminium

Beam Angle : 45°

LED : CREE

DRIVER OPTIONS



SPECIAL ADDITIONAL FEATURES



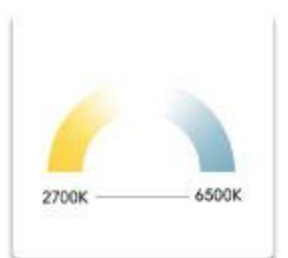
Control by Remote, Keypad, APP



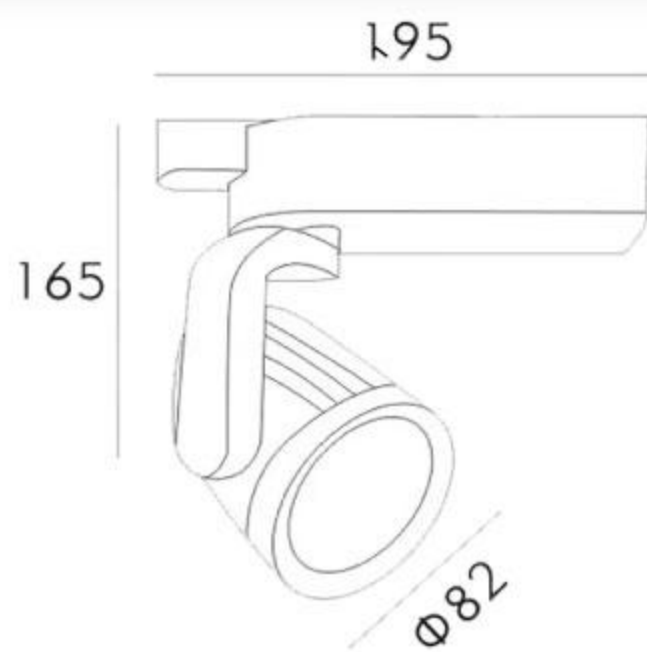
Voice Assistance



Scene Control by Remote, Keypad, APP



CCT Tunable



PRODUCT SPECIFICATIONS

Product Type : Track Light

Inner Body Color : White / Black

Product Name : Track Spot

CRI : 80

Product Code :UHLS-30TR-1870

THD : <15

Wattage : 30W

Operating Temperature : -10°C to +60°C

CCT : 3000K / 4000K / 6000K

Material : Aluminium

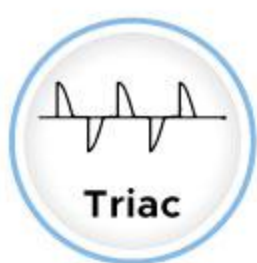
Outer Body Color : White / Black

Beam Angle : 45°

Input Voltage : 185-265V

LED : CREE

DRIVER OPTIONS



SPECIAL ADDITIONAL FEATURES



Control by Remote, Keypad, APP



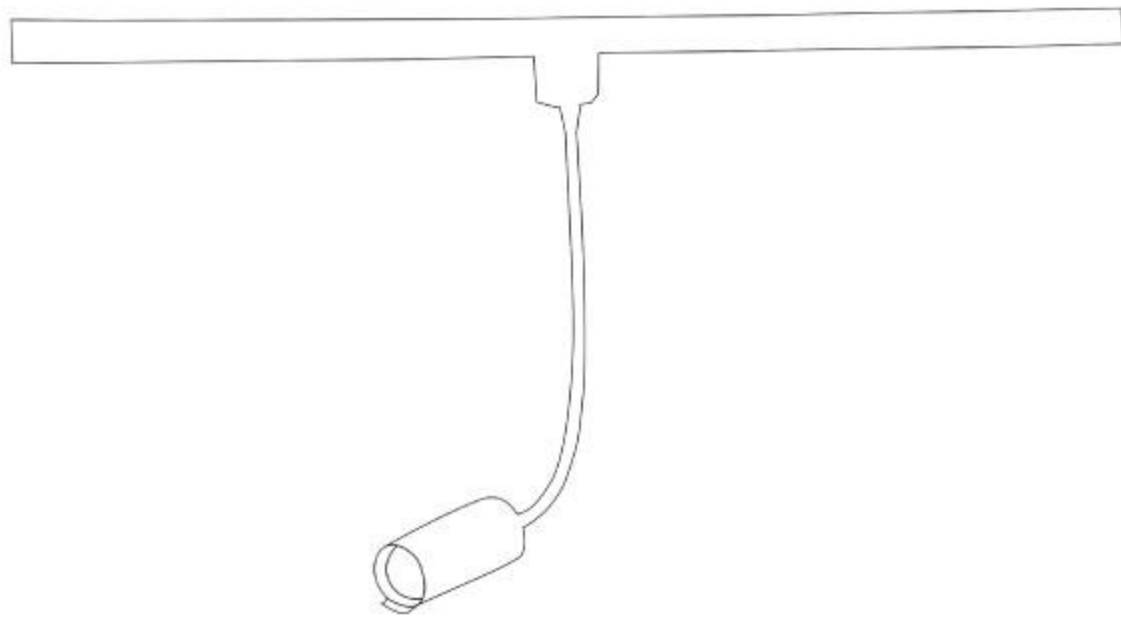
Voice Assistance



Scene Control by Remote, Keypad, APP



CCT Tunable



PRODUCT SPECIFICATIONS

Product Type : Track Light

Inner Body Color : White / Black

Product Name : Track Spot

CRI : 80

Product Code : UHLS-09TR SPRING

THD : <15

Wattage : 9W / 14W / 21W / 35W

Operating Temperature : -10°C to +60°C

CCT : 3000K / 4000K / 6000K

Material : Aluminium

Outer Body Color : White / Black

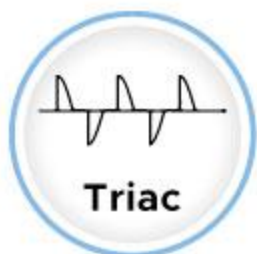
Beam Angle : 38°

Input Voltage : 185-265V

LED : CREE

Lumens : 900LM

DRIVER OPTIONS



SPECIAL ADDITIONAL FEATURES



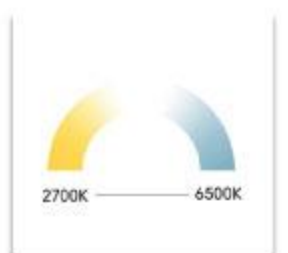
Control by
Remote, Keypad, APP



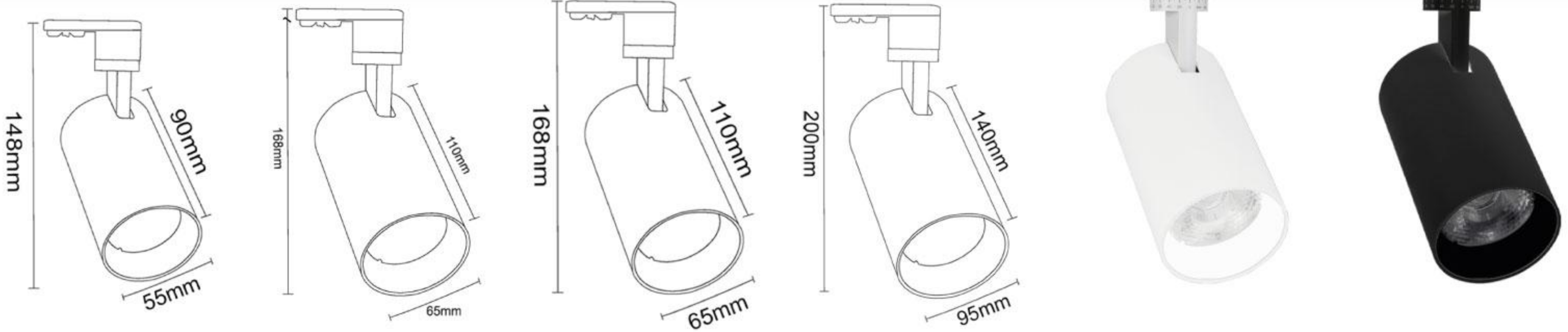
Voice Assistance



Scene Control by
Remote, Keypad, APP



CCT Tunable



PRODUCT SPECIFICATIONS

Product Type : Track Light

Product Name : Track Spot

Product Code : UHLS-9_14_21_35TR-777

Wattage : 9W / 14W / 21W / 35W

CCT : 3000K / 4000K / 6000K

Outer Body Color : White / Black

Input Voltage : 185-265V

Lumens : 1400LM_2200LM

Inner Body Color : White / Black

CRI : 80

THD : <15

Operating Temperature : -10°C to +60°C

Material : Aluminium

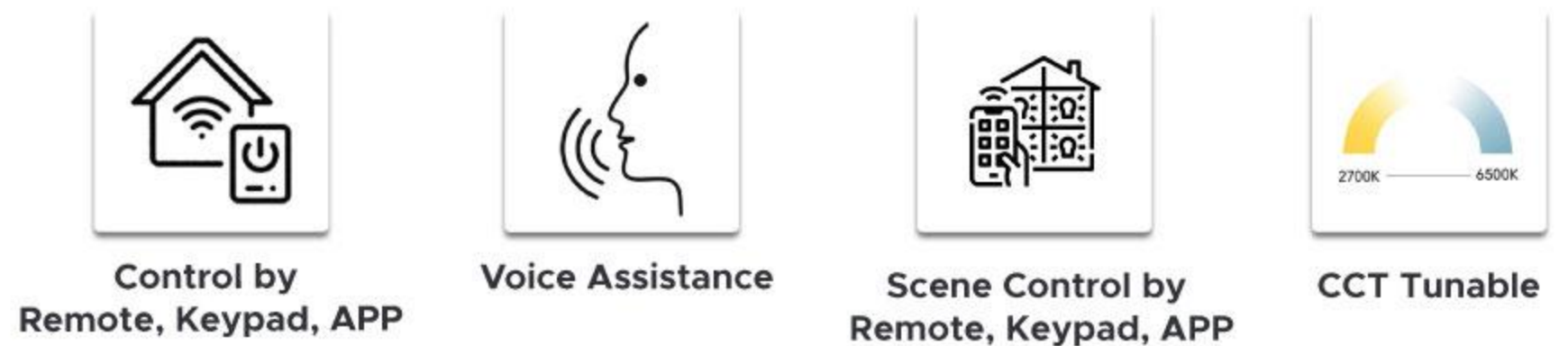
Beam Angle : 38°

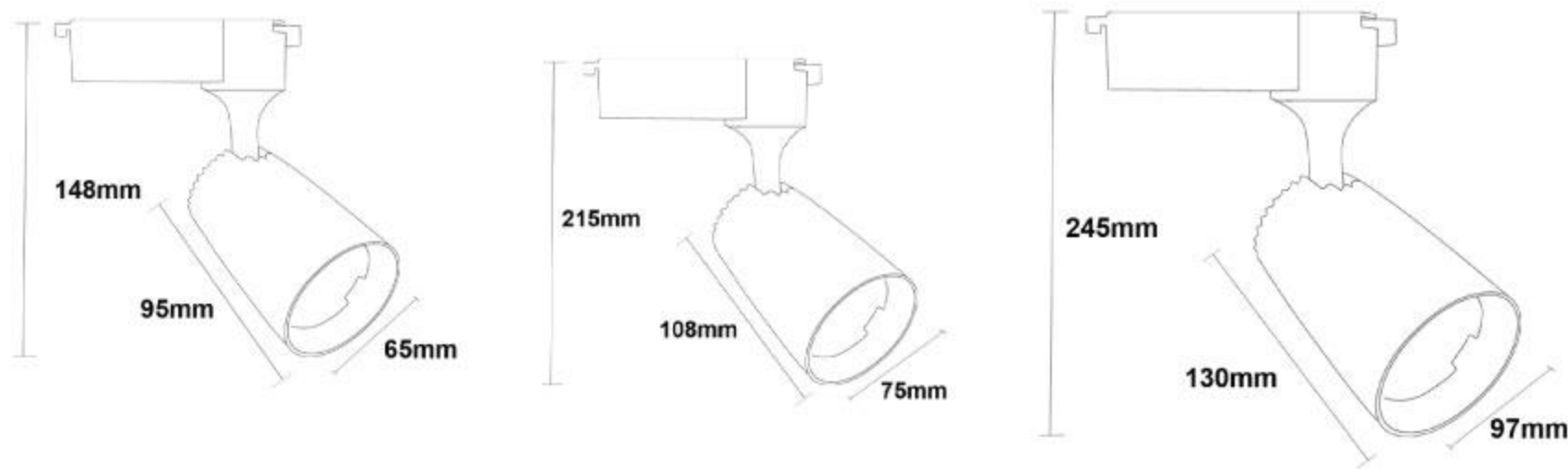
LED : CREE

DRIVER OPTIONS



SPECIAL ADDITIONAL FEATURES





PRODUCT SPECIFICATIONS

Product Type : Track Light

Inner Body Color : White / Black

Product Name : Track Spot

CRI : 80

Product Code : UHLS-14_21_35-TR-1414

THD : <15

Wattage : 14W / 21W / 35W

Operating Temperature : -10°C to +60°C

CCT : 3000K / 4000K / 6000K

Material : Aluminium

Outer Body Color : White / Black

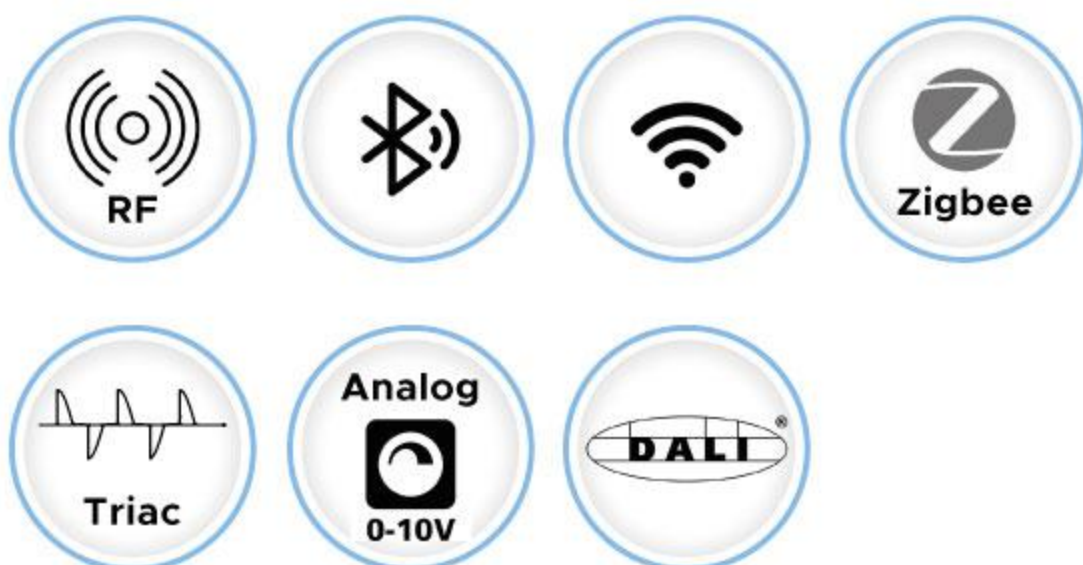
Beam Angle : 40°

Input Voltage : 185-265V

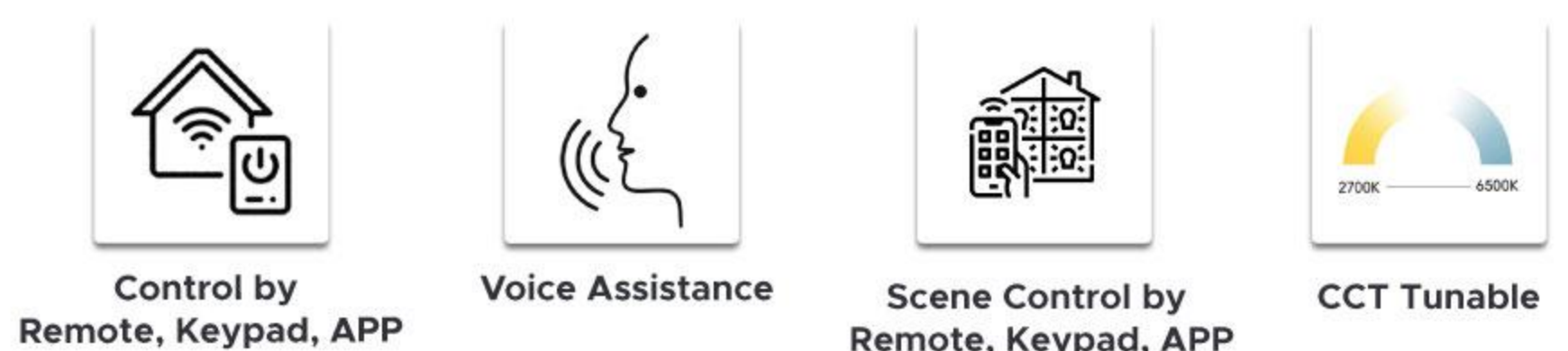
LED : CREE

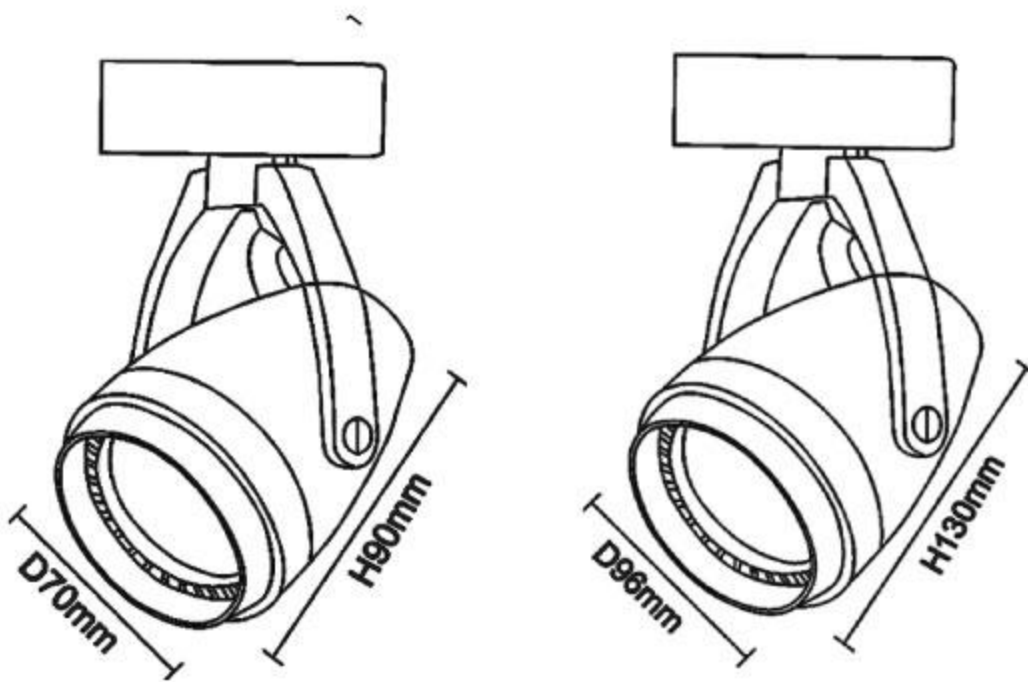
Lumens : 1200LM / 2000LM / 3000LM

DRIVER OPTIONS



SPECIAL ADDITIONAL FEATURES





PRODUCT SPECIFICATIONS

Product Type : Track Light

Product Name : Track Spot

Product Code : UHLS-14_21-TR

Wattage : 14W / 21W

CCT : 3000K / 4000K / 6000K

Outer Body Color : White / Black

Input Voltage : 185-265V

Inner Body Color : White / Black

CRI : 80

THD : <15

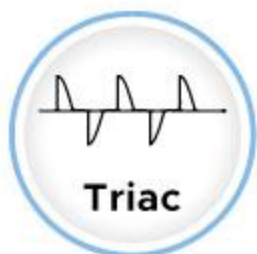
Operating Temperature : -10°C to +60°C

Material : Aluminium

Beam Angle : 40°

LED : CREE

DRIVER OPTIONS



SPECIAL ADDITIONAL FEATURES



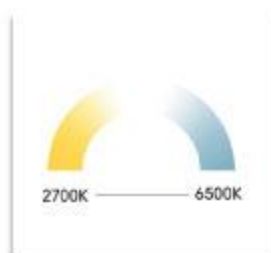
Control by Remote, Keypad, APP



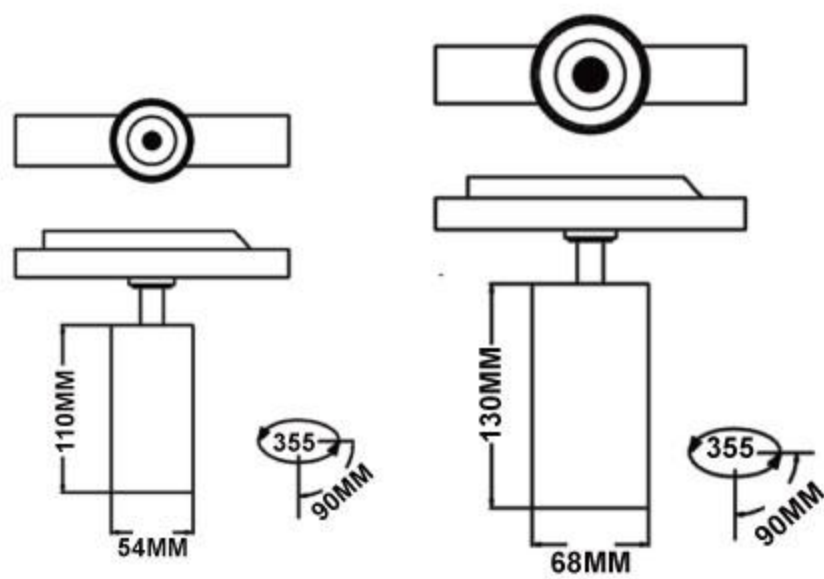
Voice Assistance



Scene Control by Remote, Keypad, APP



CCT Tunable



PRODUCT SPECIFICATIONS

Product Type : Track Light

Product Name : Track Spot

Product Code : UHLS-12_24-TR-4717

Wattage : 12W / 24W

CCT : 3000K / 4000K / 6000K

Outer Body Color : White / Black

Input Voltage : 185-265V

Lumens : 1400LM_2200LM

Inner Body Color : White / Black

CRI : 80

THD : <15

Operating Temperature : -10°C to +60°C

Material : Aluminium

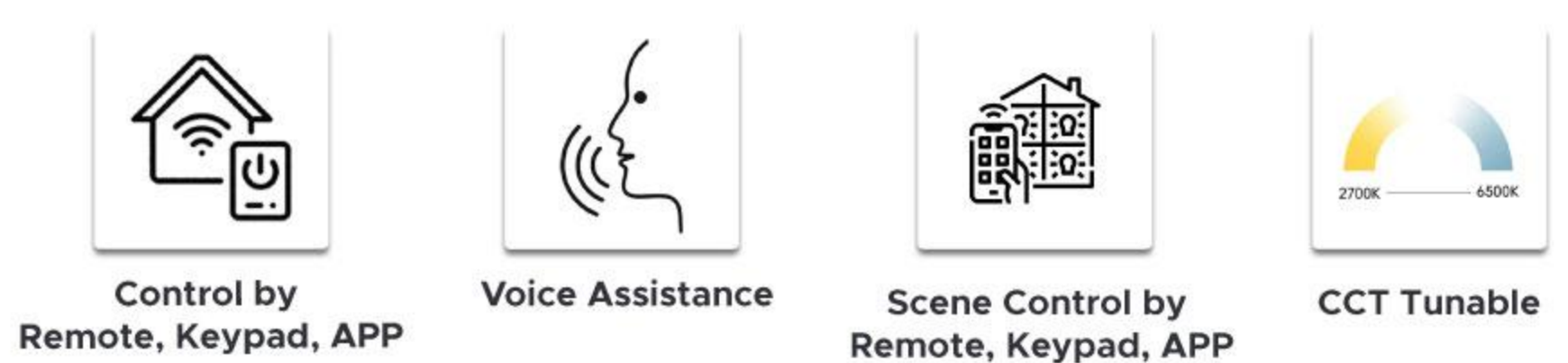
Beam Angle : 38°

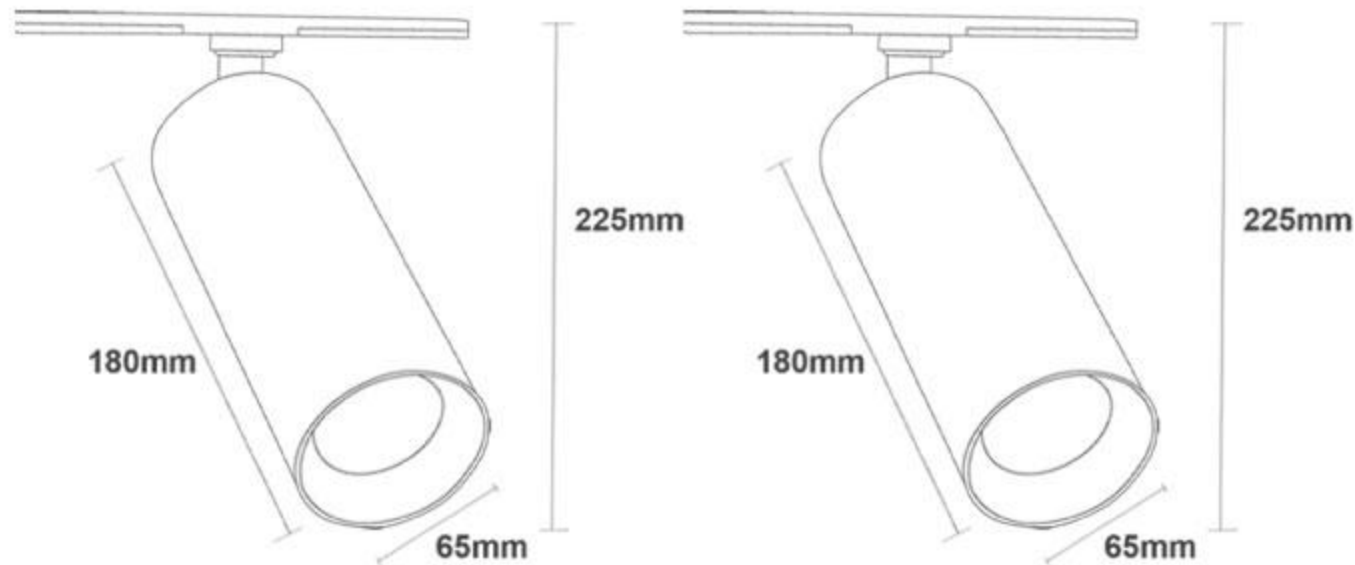
LED : CREE

DRIVER OPTIONS



SPECIAL ADDITIONAL FEATURES





PRODUCT SPECIFICATIONS

Product Type : Track Light

Inner Body Color : White / Black

Product Name : Track Spot

CRI : 80

Product Code : UHLS-14_21-TR-4714

THD : <15

Wattage : 14W / 21W

Operating Temperature : -10°C to +60°C

CCT : 3000K / 4000K / 6000K

Material : Aluminium

Outer Body Color : White / Black

Beam Angle : 40°

Input Voltage : 185-265V

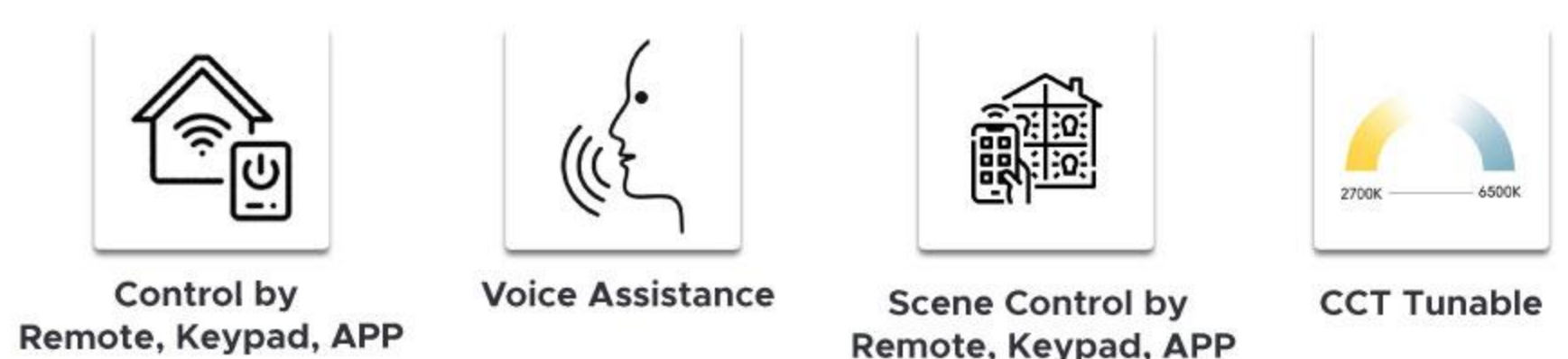
LED : CREE

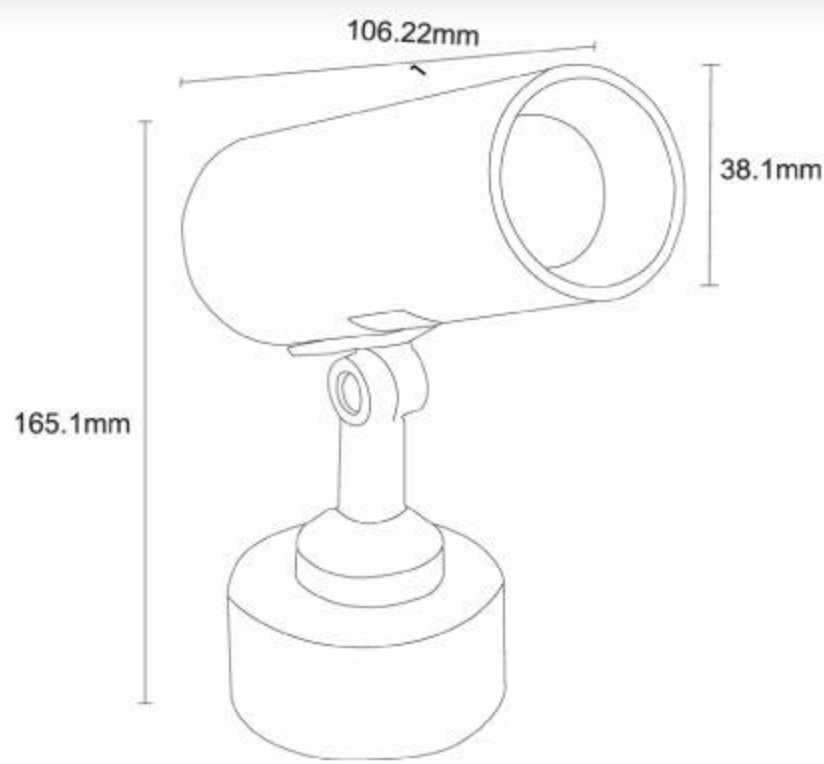
Lumens : 1400LM_2200LM

DRIVER OPTIONS



SPECIAL ADDITIONAL FEATURES





PRODUCT SPECIFICATIONS

Product Type : Track Light

Product Name : Track Spot with Cup base

Product Code : UHLS-14-3535WL

Wattage : 9W / 14W / 21W / 35W

CCT : 3000K / 4000K / 6000K

Outer Body Color : White / Black

Input Voltage : 185-265V

Inner Body Color : White / Black

CRI : 80

THD : <15

Operating Temperature : -10°C to +60°C

Material : Aluminium

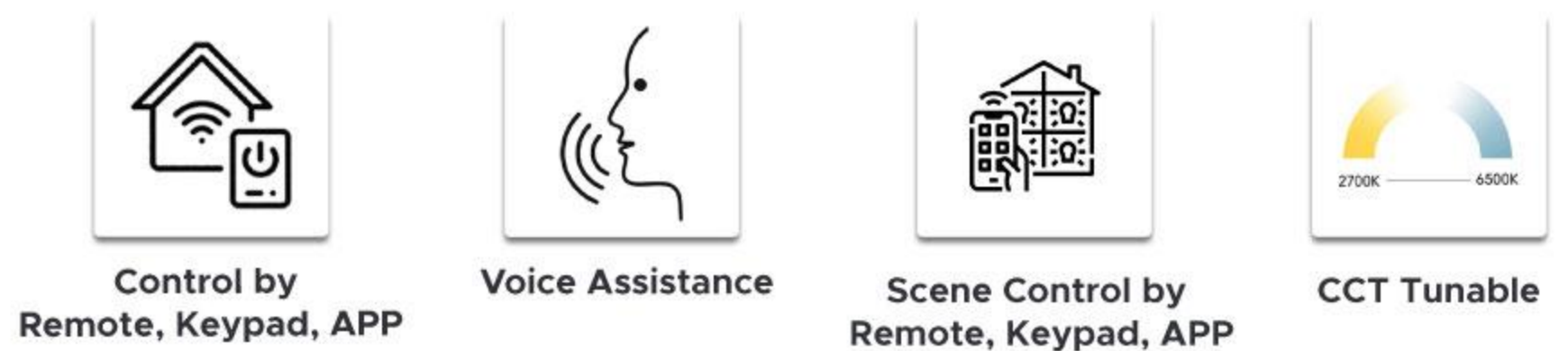
Beam Angle : 40°

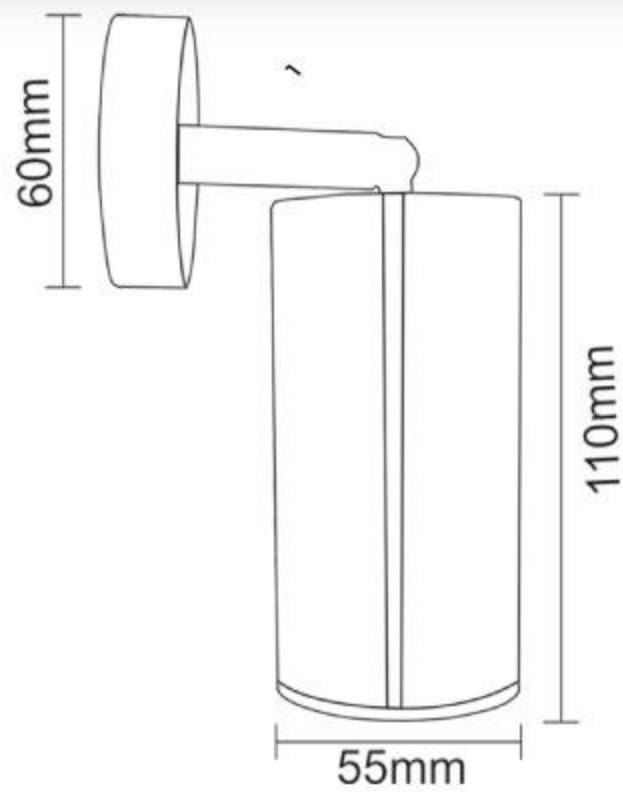
LED : CREE

DRIVER OPTIONS



SPECIAL ADDITIONAL FEATURES





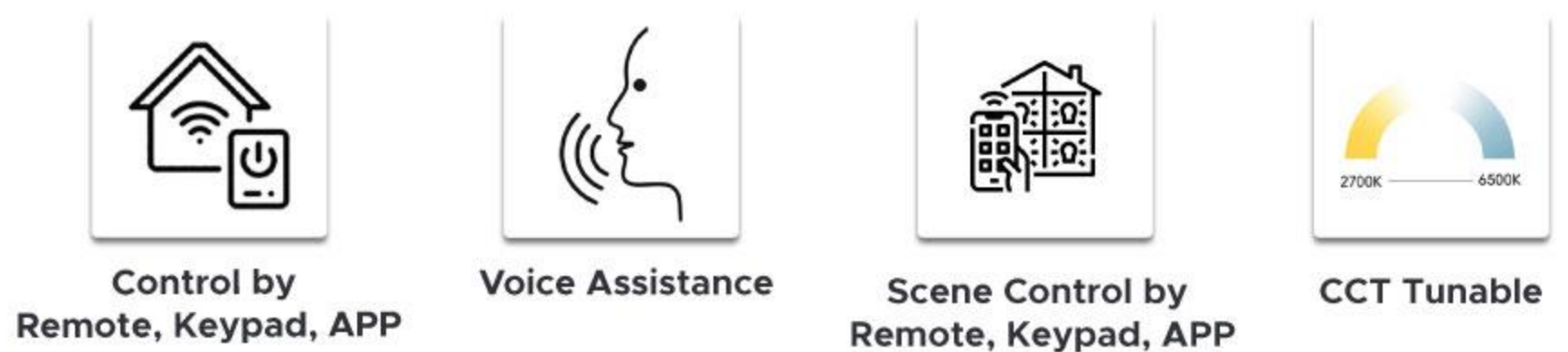
PRODUCT SPECIFICATIONS

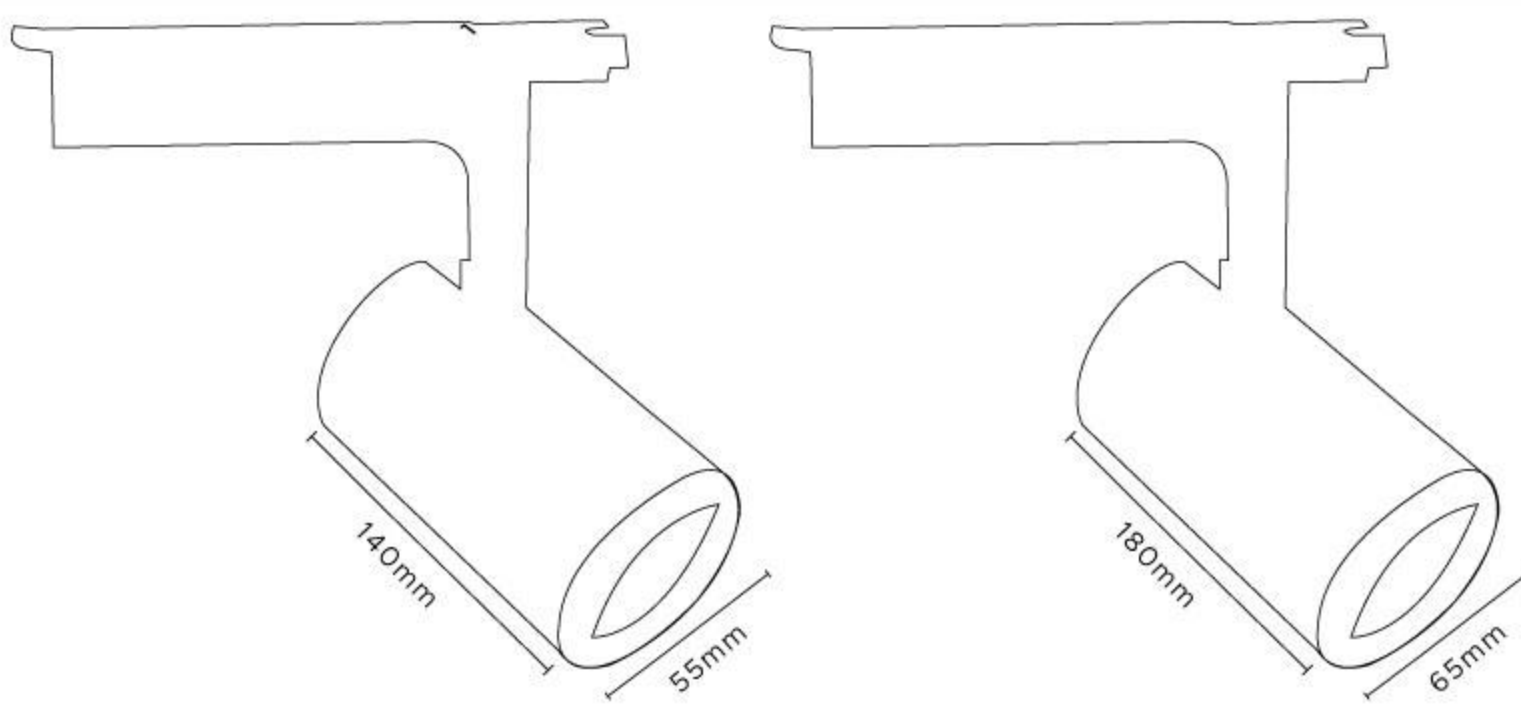
Product Type : Track Light	Inner Body Color : Rose Gold / Titanium Black / Matt Brass
Product Name : Track Spot with Cup base	CRI : -80
Product Code : UHLS-14-WL-714	THD : <15
Wattage : 14W	Operating Temperature : -10°C to +60°C
CCT : 3000K / 4000K / 6000K	Material : Aluminium
Outer Body Color : Rose Gold / Titanium Black / Matt Brass	Beam Angle : 40°
Input Voltage : 185-265V	LED : CREE

DRIVER OPTIONS



SPECIAL ADDITIONAL FEATURES





PRODUCT SPECIFICATIONS

Product Type : Track Light

Inner Body Color : White / Black

Product Name : Track Spot

CRI : 80

Product Code : UHLS-21_35-TR-DIMMABLE

THD : <15

Wattage : 21W / 35W

Operating Temperature : -10°C to +60°C

CCT : 3000K / 4000K / 6000K

Material : Aluminium

Outer Body Color : White / Black

Beam Angle : 40°

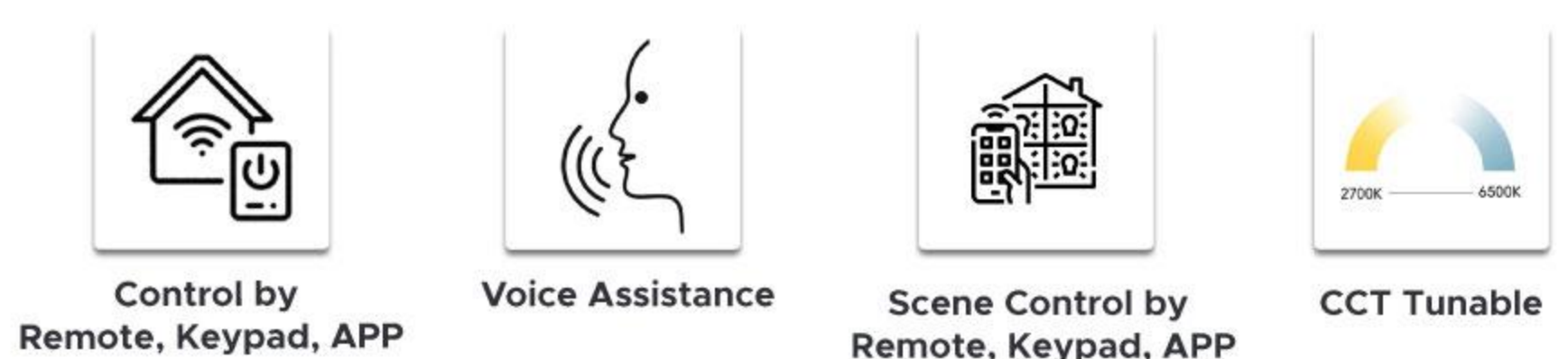
Input Voltage : 185-265V

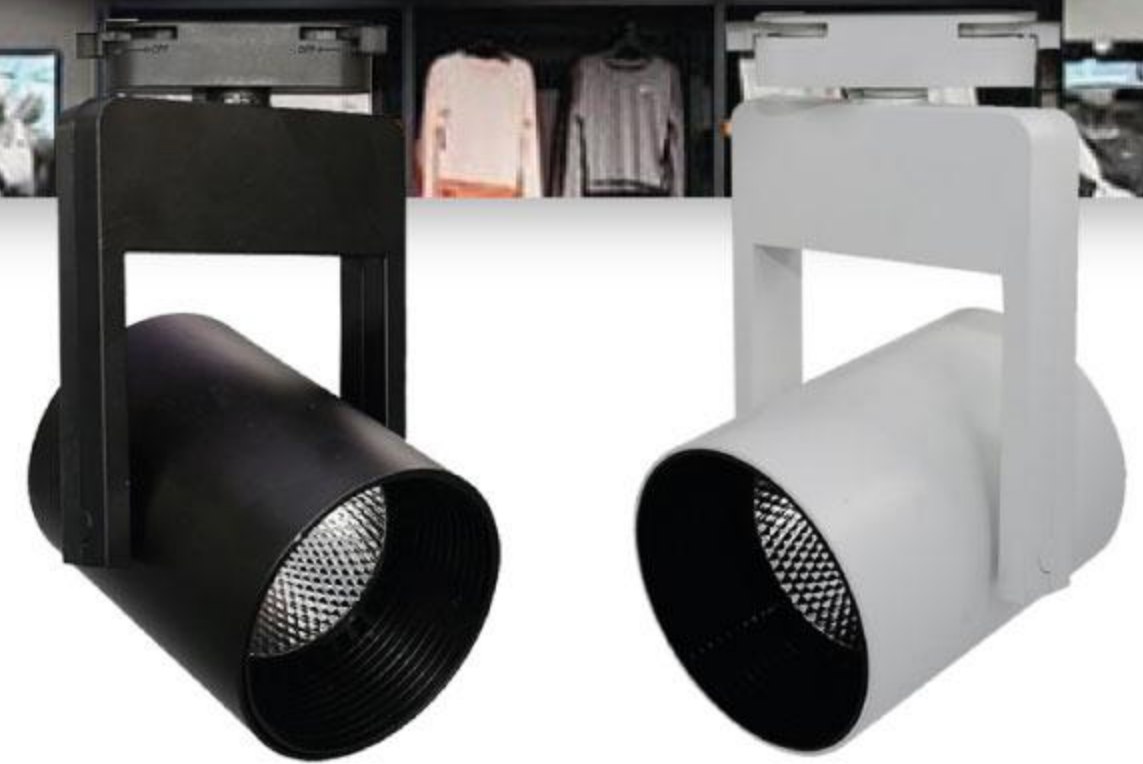
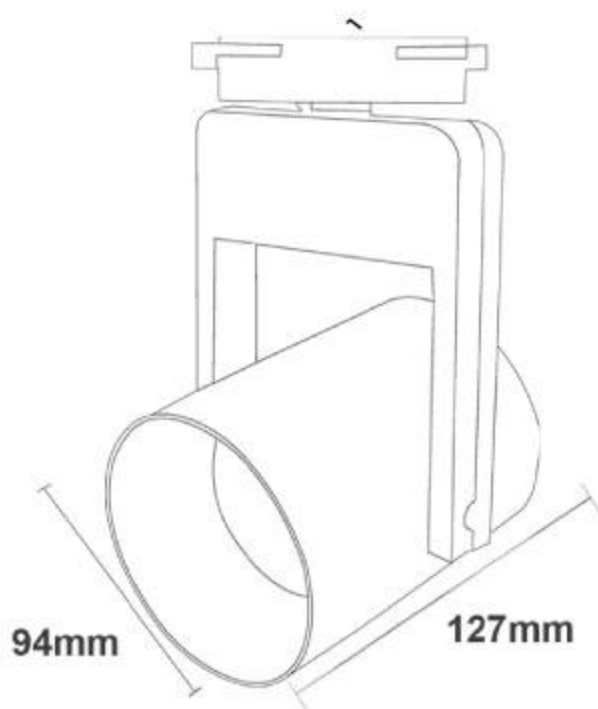
LED : CREE

DRIVER OPTIONS



SPECIAL ADDITIONAL FEATURES





PRODUCT SPECIFICATIONS

Product Type : Track Light

Product Name : Track Spot

Product Code : UHLS-35-TR

Wattage : 35W

CCT : 3000K / 4000K / 6000K

Outer Body Color : White / Black

Input Voltage : 185-265V

Inner Body Color : White / Black

CRI : 80

THD : <15

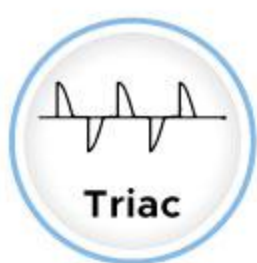
Operating Temperature : -10°C to +60°C

Material : Aluminium

Beam Angle : 38°

LED : CREE

DRIVER OPTIONS



SPECIAL ADDITIONAL FEATURES



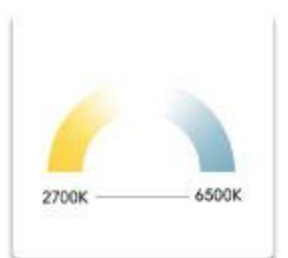
Control by
Remote, Keypad, APP



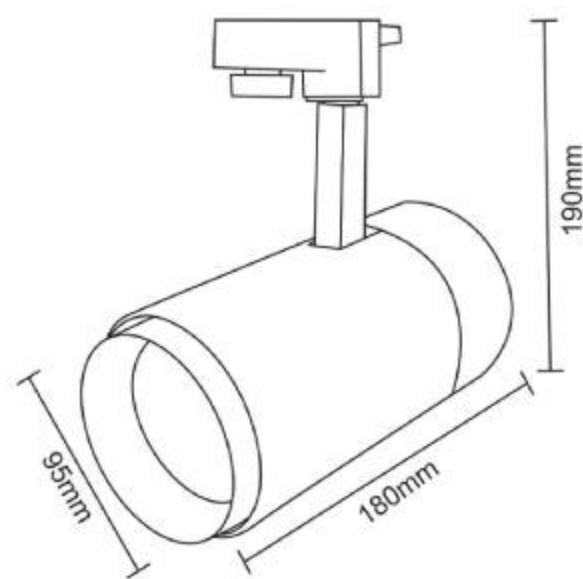
Voice Assistance



Scene Control by
Remote, Keypad, APP



CCT Tunable



PRODUCT SPECIFICATIONS

Product Type : Track Light

Inner Body Color : White / Black

Product Name : Track Spot

CRI : 80

Product Code : UHLS-35-TR-C+E

THD : <15

Wattage : 35W

Operating Temperature : -10°C to +60°C

CCT : 3000K / 4000K / 6000K

Material : Aluminium

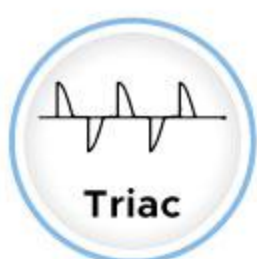
Outer Body Color : White / Black

Beam Angle : 38°

Input Voltage : 185-265V

LED : CREE

DRIVER OPTIONS



SPECIAL ADDITIONAL FEATURES



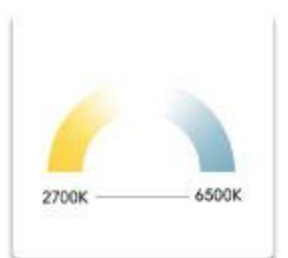
Control by
Remote, Keypad, APP



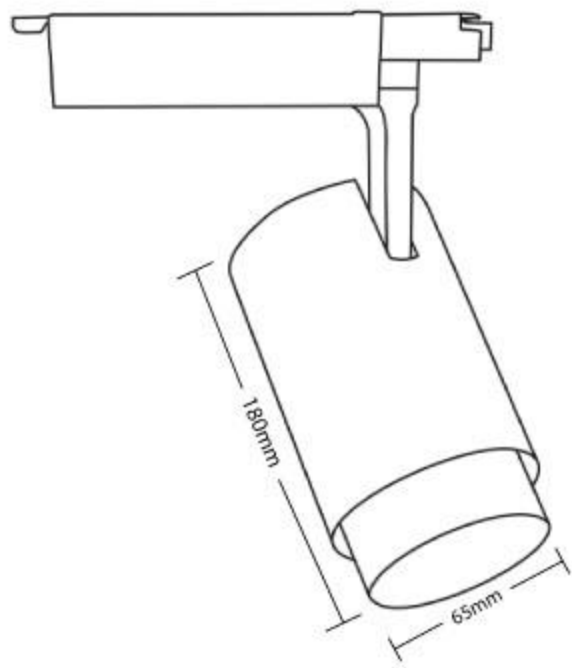
Voice Assistance



Scene Control by
Remote, Keypad, APP



CCT Tunable



PRODUCT SPECIFICATIONS

Product Type : Track Light

Inner Body Color : White / Black

Product Name : Track Spot

CRI : 80

Product Code : UHLS-35-TR-DC242

THD : <15

Wattage : 35W

Operating Temperature : -10°C to +60°C

CCT : 3000K / 4000K / 6000K

Material : Aluminium

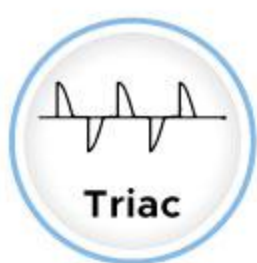
Outer Body Color : White / Black

Beam Angle : 10-50°

Input Voltage : 185-265V

LED : CREE

DRIVER OPTIONS



SPECIAL ADDITIONAL FEATURES



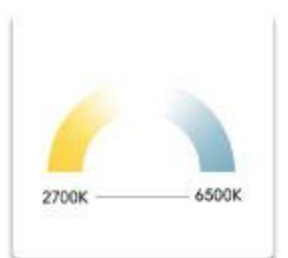
Control by
Remote, Keypad, APP



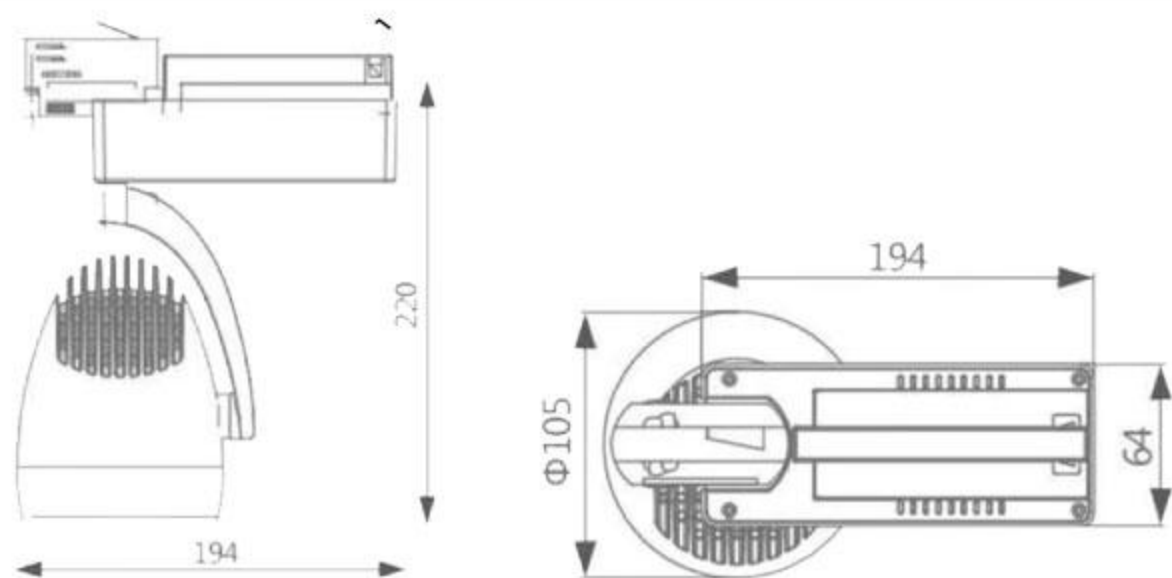
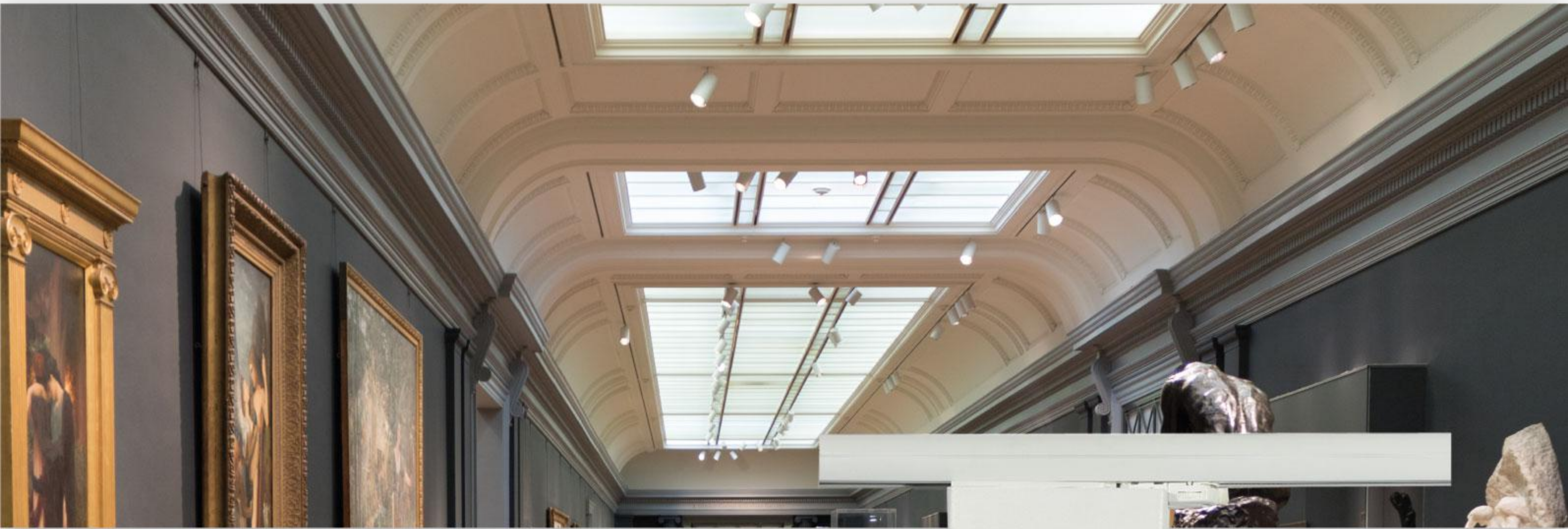
Voice Assistance



Scene Control by
Remote, Keypad, APP



CCT Tunable



PRODUCT SPECIFICATIONS

Product Type : Track Light

Inner Body Color : White / Black

Product Name : Track Spot

CRI : 80

Product Code : UHLS-36-TR-CLDI

THD : <15

Wattage : 35W

Operating Temperature : -10°C to +60°C

CCT : 3000K / 4000K / 6000K

Material : Aluminium

Outer Body Color : White / Black

Beam Angle : 38°

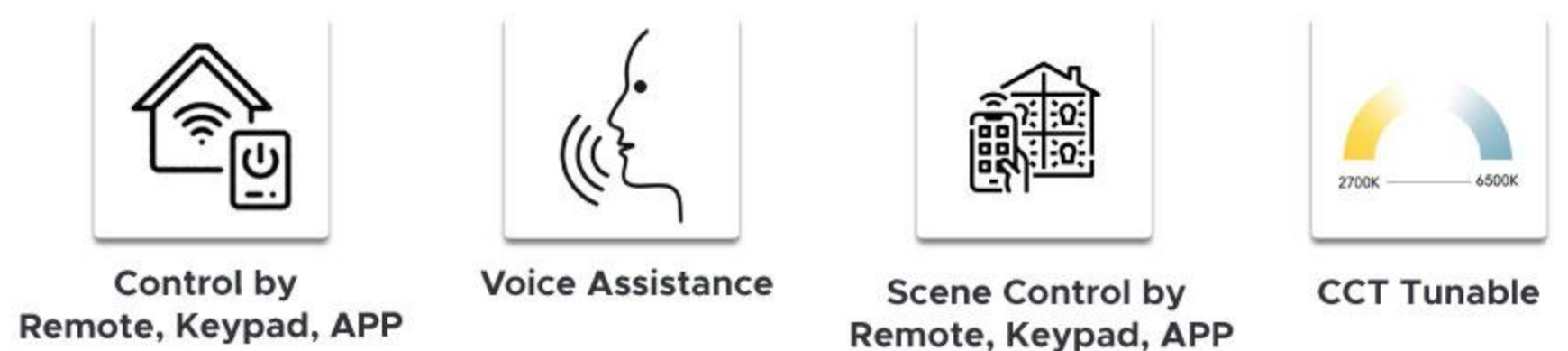
Input Voltage : 185-265V

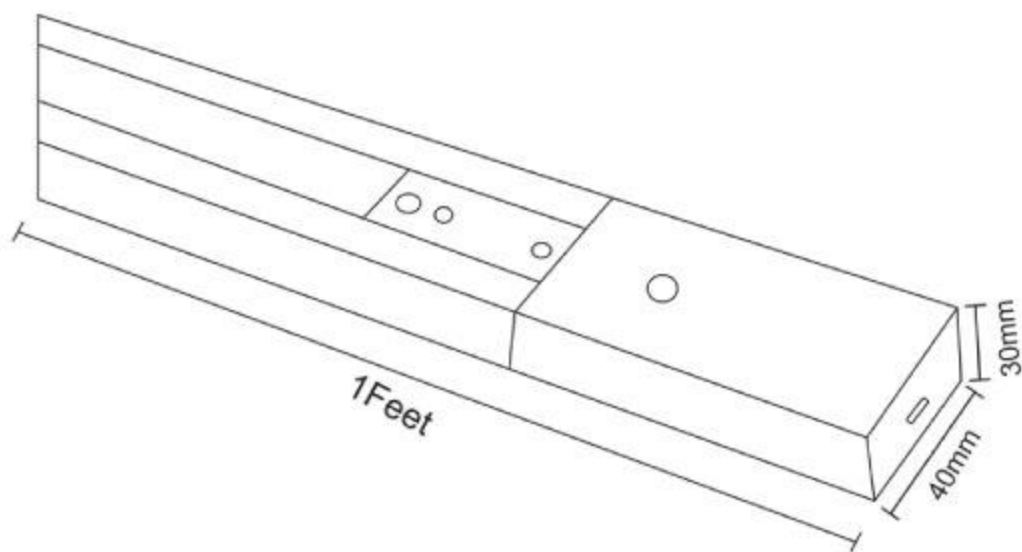
LED : CREE

DRIVER OPTIONS



SPECIAL ADDITIONAL FEATURES





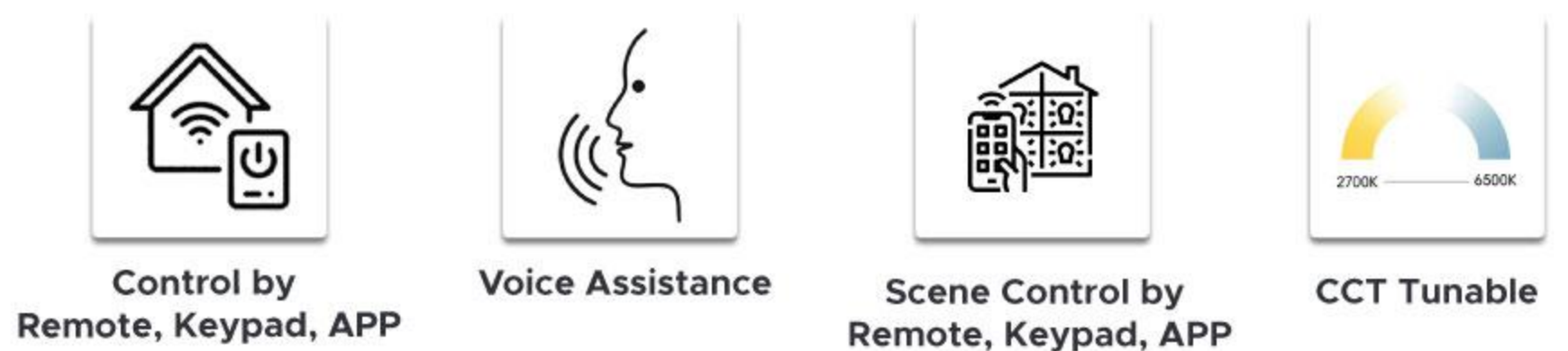
PRODUCT SPECIFICATIONS

Product Type : Track Light Series	Accessories : L-Connector / Straight-Connector / Live Connector / End Cap
Product Name : Track Channel (Surface/Concealed)	Operating Temperature : -10°C to +60°C
Product Code : UHLS-TP-SUR/CON-1_2	Material : Plastic + Aluminium
Length : 1Mtr / 2Mtr	Type of Channel : Suspended/Surface/Concealed
Outer Body Color : White / Black	
Input Voltage : 185-265V	

DRIVER OPTIONS



SPECIAL ADDITIONAL FEATURES



THINK LED, THINK UNISER
UNISER
INDUSTRIES PVT. LTD.

Solar Power | LED Lighting | Automation

To place your order, please contact

HELPDESK DETAILS:

414, Lotus House, 33-A, V Thackersey Marg, New Marine Lines,
Mumbai-400020, India

☎ +91-22-22000515 | 35114465 ☎ +91 9867625686

✉ projects@uniserledlights.com | support@uniserledlights.com