

RGBIC DIY Smart Dream Color LED Light Bar



IR control



Digital



APP control



creative stitching

Product Function

- ▶ DIY for your style;
- ▶ Simple design and adopt diamond shape light guide plate;
- ▶ WIFI+BT+IR multiple control, smart APP or IR remote controllable;
- ▶ Fascinating lighting effects include fading, water, rainbow, flashing and flowing light and color etc.,;
- ▶ Embedded microphone, music sync, could realize the wonderful synchronization effects of sounds and lights;
- ▶ Various functions include timer, sharing, grouping and scenes etc.,;
- ▶ 12V low voltage power supply, any single piece can be a power transition port for others.

Product List

6pcs/set: Adapter*1, 3M glue*13, Adapter*8, Manual*1, IR remote *1, Screw *8
 9pcs/set: Adapter*1, 3M glue*19, Adapter*11, Manual*1, IR remote *1, Screw *11
 12pcs/set: Adapter*1, 3M glue*25, Adapter*14, Manual*1, IR remote *1, Screw *14

Product Parameters

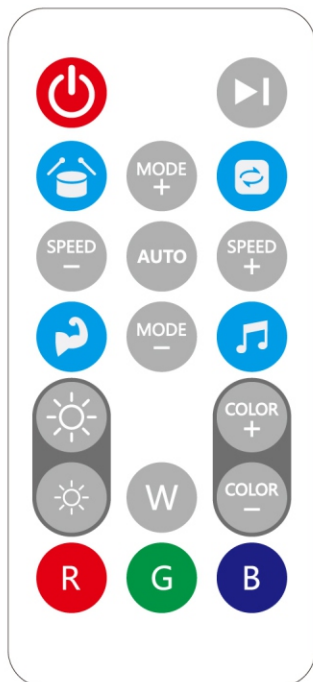
Model	Colour	Output voltage	Power	Connection
FWWSA8-23-6	RGBIC	DC12V	10W	APP+IR
FWWSA8-23-9	RGBIC	DC12V	14W	APP+IR
FWWSA8-23-12	RGBIC	DC12V	18W	APP+IR

Product introduction:

The 19-key infrared remote control can remotely realize various modes such as lamps and lanterns, illusion flowing water, music and other functions. Remote control music 4 kinds of music modes.

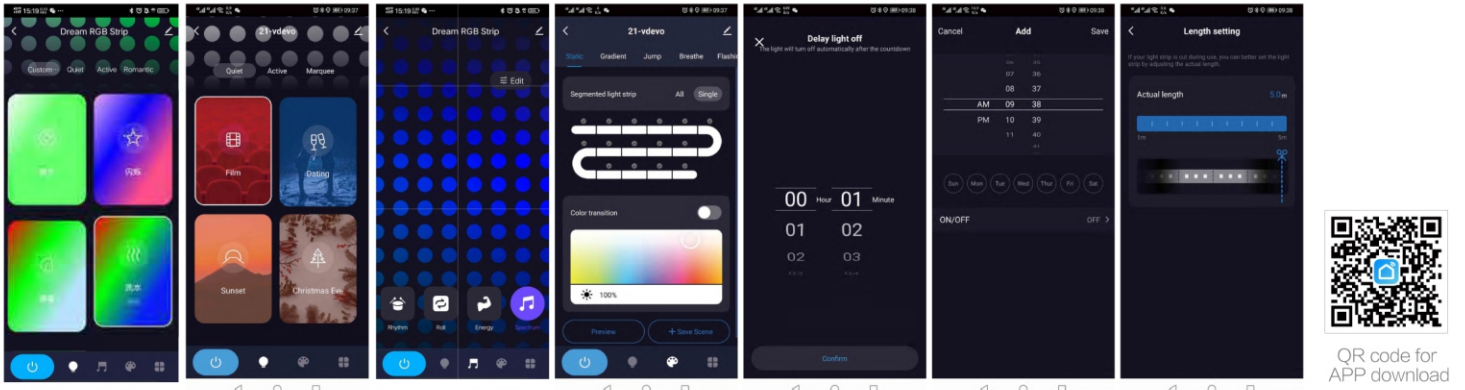
Product parameters:

Power supply mode: button battery, 3V voltage input
 Control distance: 5-8 meters under open conditions.

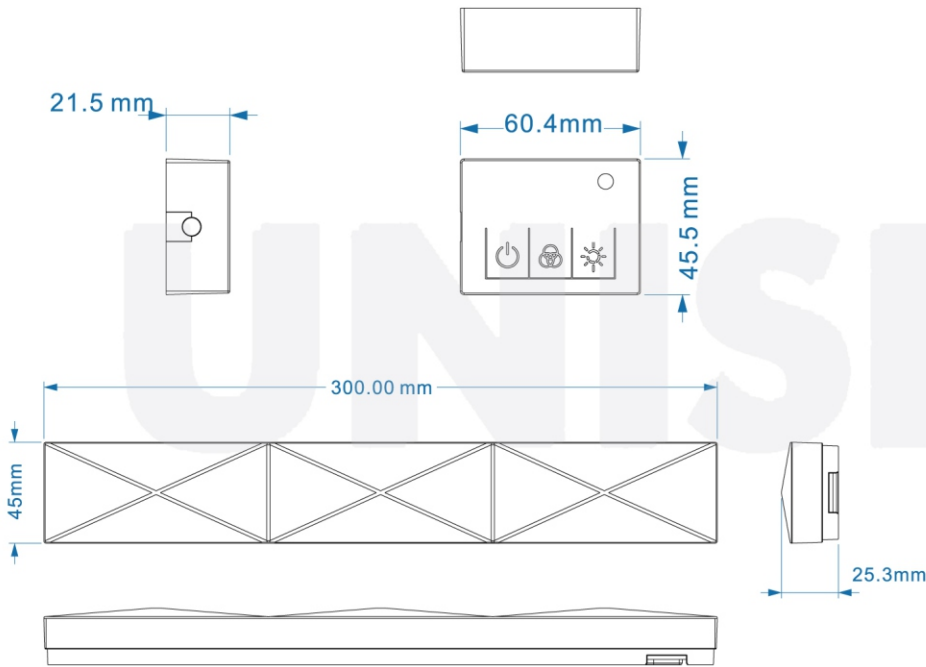


Features	action	Remote control buttons
Turn on/off	press	
Music mode pause/start	press	
Speed/sensitivity	press	
Dynamic mode switching	press	
Music mode	press	
Automatic mode	press	
Brightness adjustment	press	
Static color switching	press	
W R G B	press	

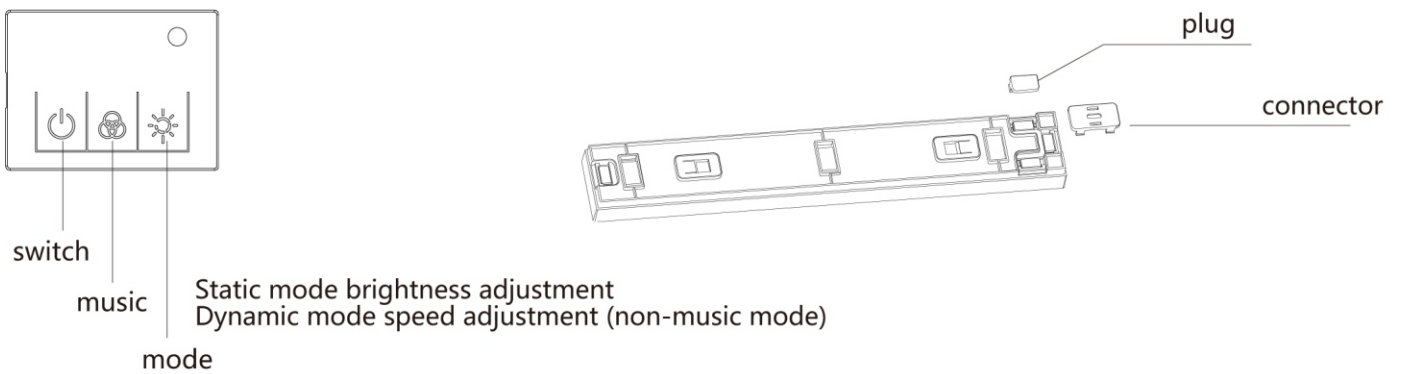
APP Features



Product Size



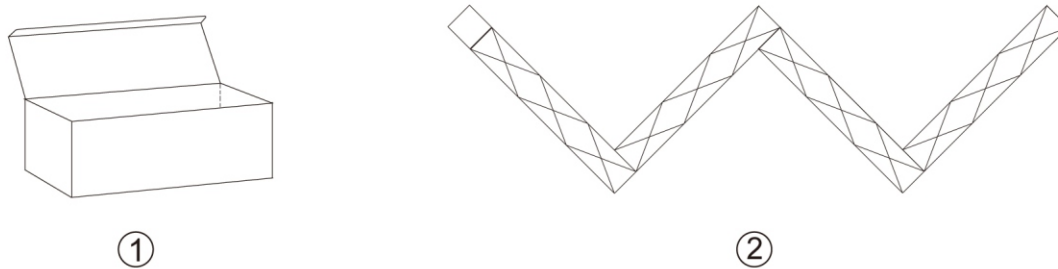
Product function diagram



Installation Instructions

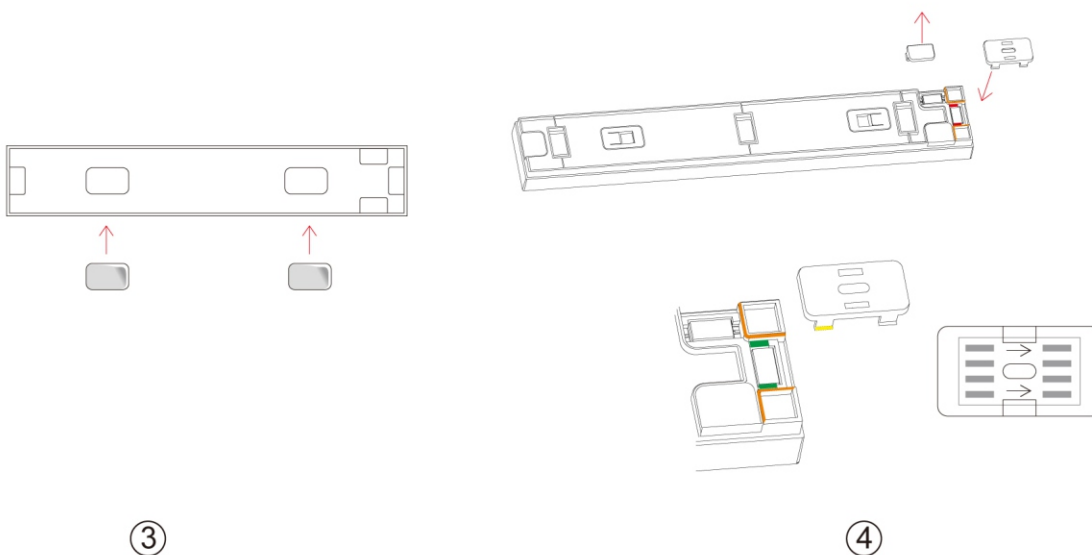
1: Unpack the package and check whether the appearance is intact and the number of accessories is correct:

And design the shape and place it according to your own preferences. (Figure 1 Figure 2)Plug in the controller adapter to test, turn it on, and check if there is any problem with the lamp. Pay attention to the light running mode , which is related to the position of the controller. It is recommended that the controller be designed at the head position.



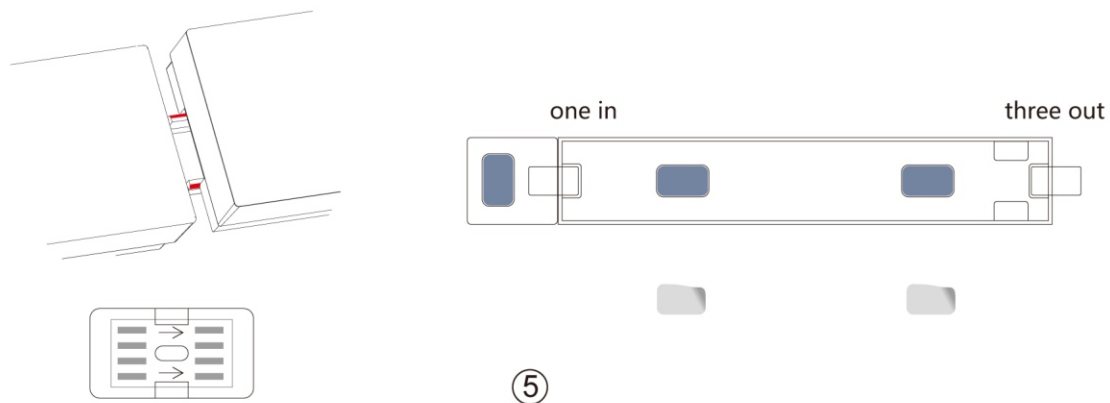
2: Take out the 3M double-sided tape, tear off one side of centrifugal paper, and stick it to the square position on the back of the lamp body (controller) (Figure 3). Take a lamp and install connectors on both sides according to the shape,(The drawing of the yellow bevel and the orange bevel of the lamp body as shown in the figure, close to each other and then press down the strength of the lamp body diagonally)

Note: The direction of the PCB arrow is the direction of the next lamp body connection. (Figure 4)

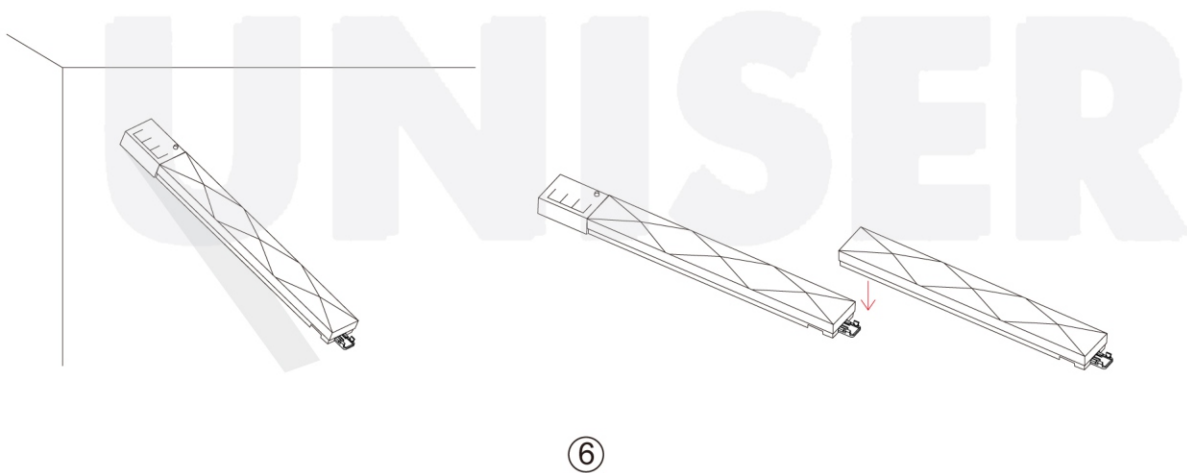


3: Install the connectors of other lamp bodies, including the controller, in the same way. Then connect it to the front of the controller according to the shape, align the position of the oblique opening of the next lamp with the inclined surface of the connector buckle (red side), and push it diagonally downward (push in the direction of the previous lamp body), and you will hear a crisp sound. into place (Figure 5)

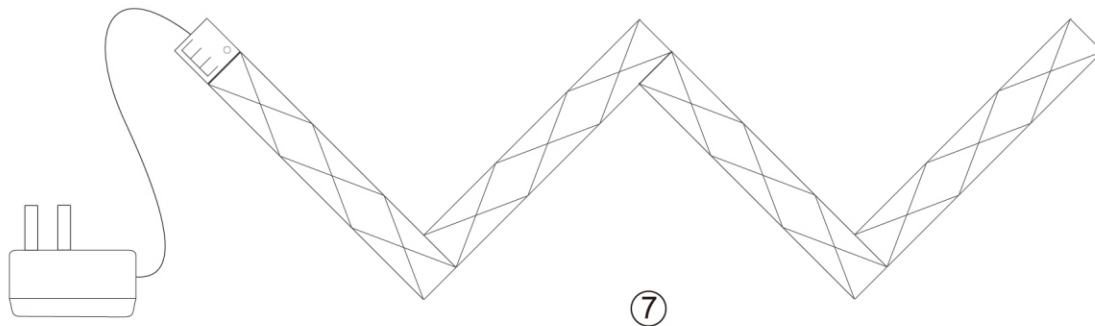
Note: The direction of the PCB arrow is the direction of the next lamp body connection.



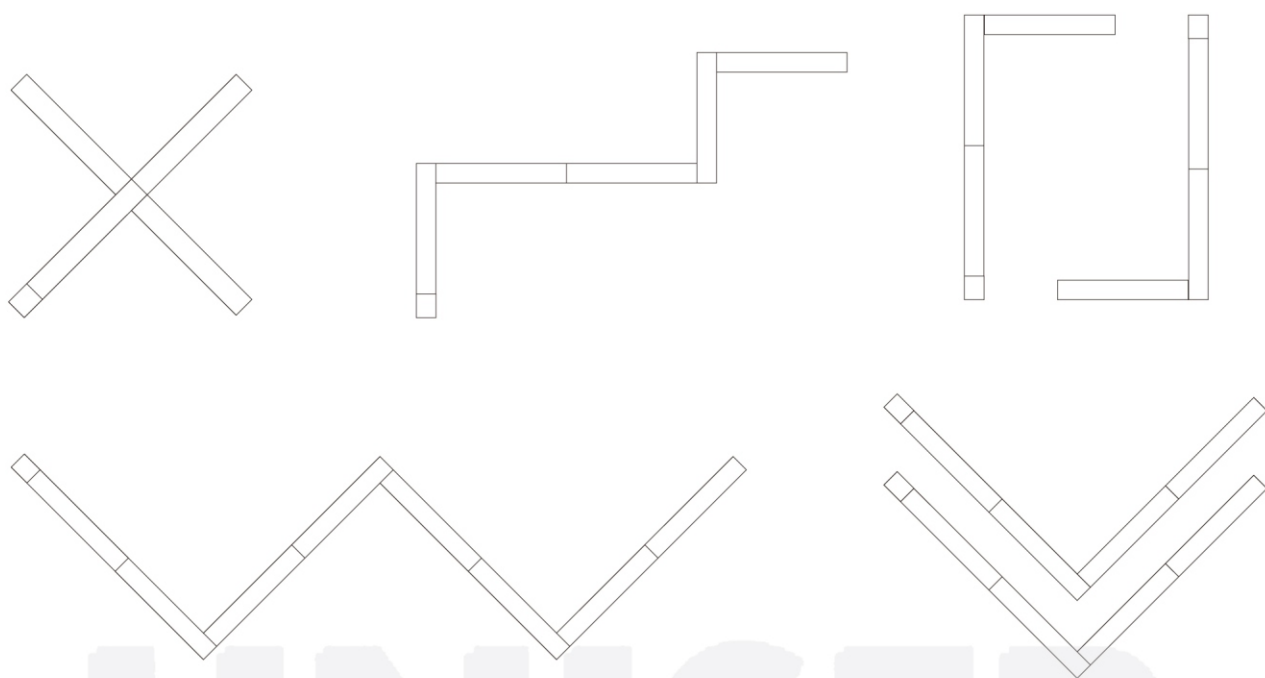
4: Determine a position according to the shape, tear off the 3M adhesive centrifugal paper on the lamp body, align the adhesive surface on the object to be installed, press firmly, install the first piece, and then install the rest of the lamp body in turn according to the shape. (Figure 6)
 Note: Only enter in one direction (one entry, three exits)



5: After installation, plug the adapter into the DC socket of the controller and start the experience. (Figure 7)



styling reference



Package information



Model	Pcs/Set	Color Box size	Carton size	SETS/CTN	G.W/CTN
FWWSA8-23-6	6PCS	380x140x60mm	440x395x505mm	15 /CTN	14.5KG
FWWSA8-23-9	9PCS	365x140x85mm	380x300x532mm	10 /CTN	13.5KG
FWWSA8-23-12	12CS	365x140*110mm	380x300x465mm	8 /CTN	13.5KG

Applications: Smart home lighting, Smart office, Hotel decorative lighting, Saloon and KTV ambient lighting, Landscape lighting and Advertising etc

