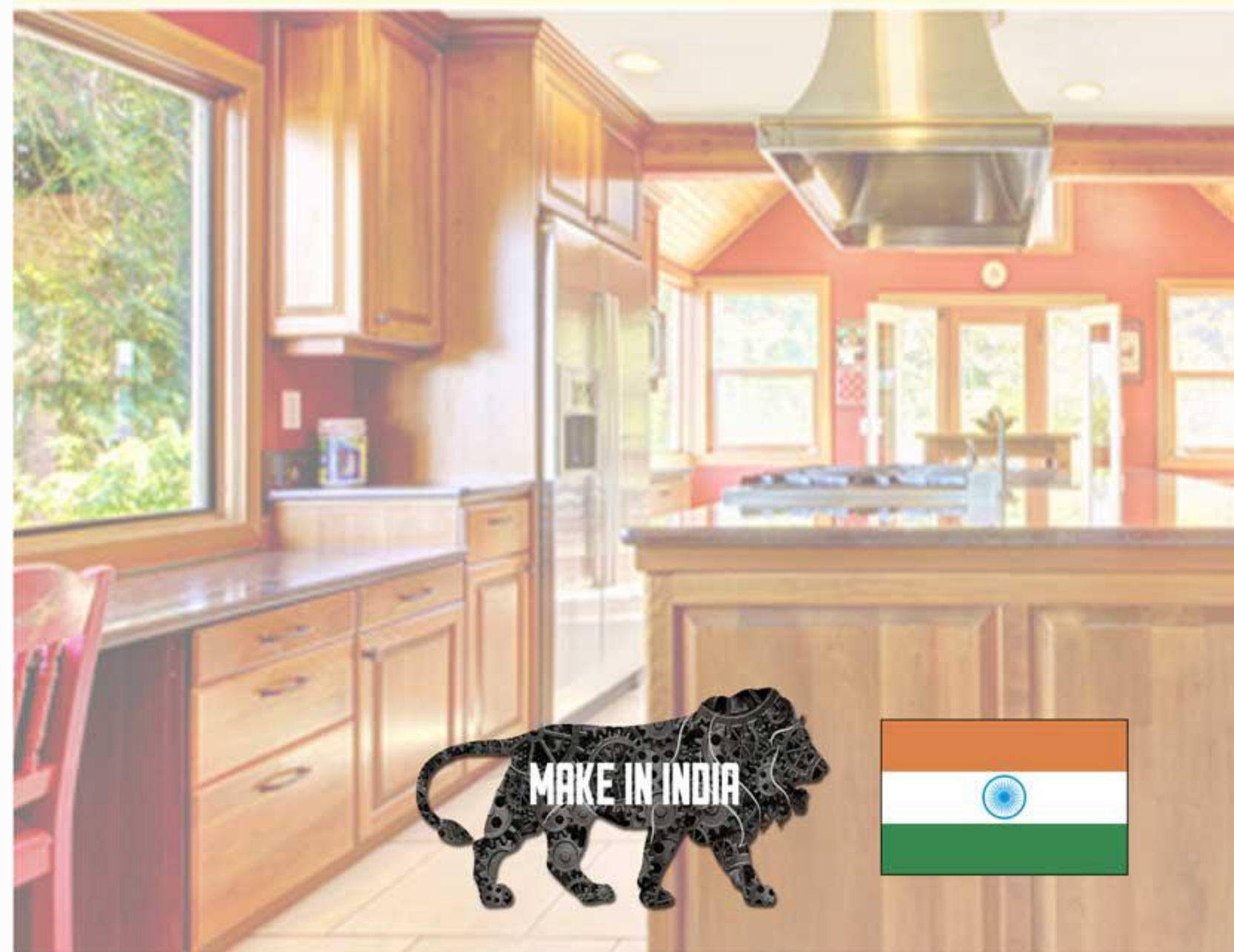
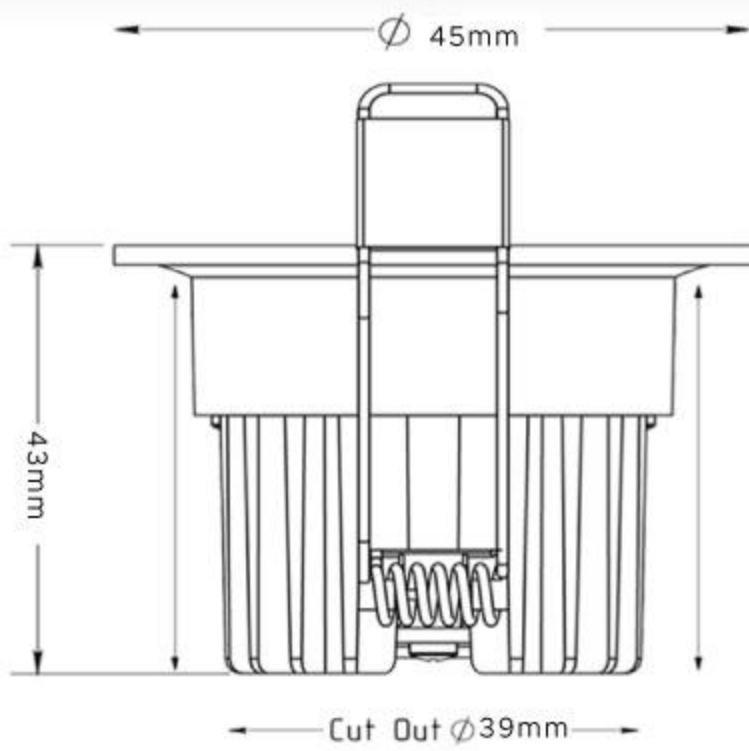


US MID SERIES

A Complete Lighting Range for All Applications





PRODUCT SPECIFICATIONS

Product Type : Recessed Niche Downlights

Inner Color : White / Black

Product Name : Curve Niche

CRI : 80

Product Code : US-50-3W-CURVE

THD : <15

Wattage : 03W

Operating Temperature : -10°C to +60°C

CCT : 3000K / 4000K / 6000K

Material : Aluminium

Outer Body Color : White / Black

Beam Angle : 38°

Input Voltage : 185-265V

LED : CREE / Bridgelux

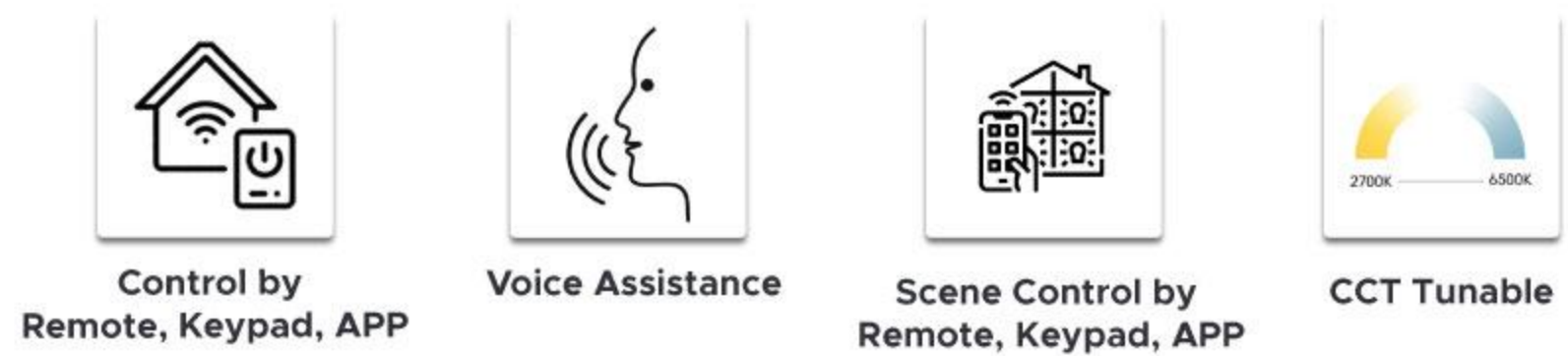
Lumens : 100LM/ Watt

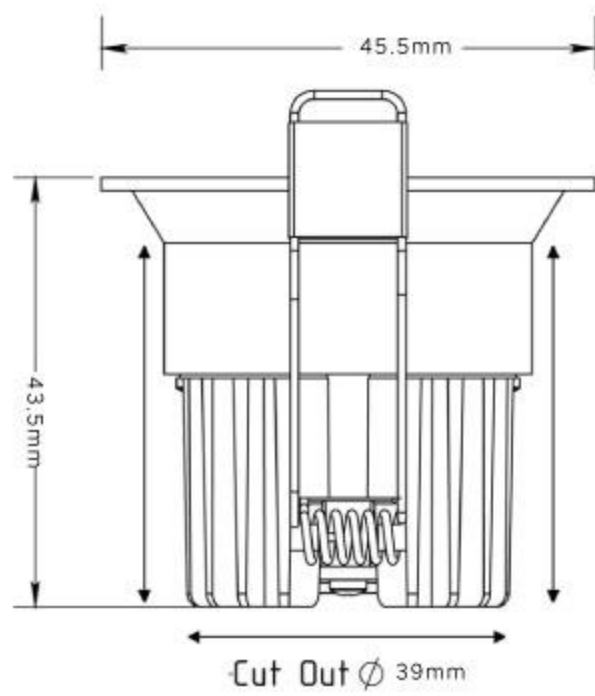
IP Rating: IP20

DRIVER OPTIONS



SPECIAL ADDITIONAL FEATURES





PRODUCT SPECIFICATIONS

Product Type : Recessed Niche Downlights

Inner Color : White / Black

Product Name : Value Niche

CRI : 80

Product Code : US-50-3W-VALUE

THD : <15

Wattage : 03W

Operating Temperature : -10°C to +60°C

CCT : 3000K / 4000K / 6000K

Material : Aluminium

Outer Body Color : White / Black

Beam Angle : 38°

Input Voltage : 185-265V

LED : CREE / Bridgelux

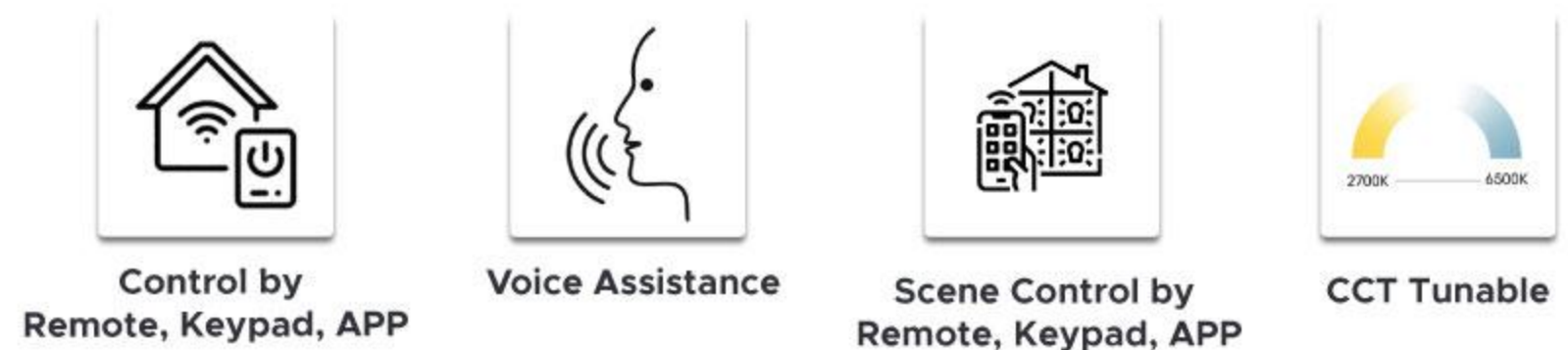
Lumens : 100LM/ Watt

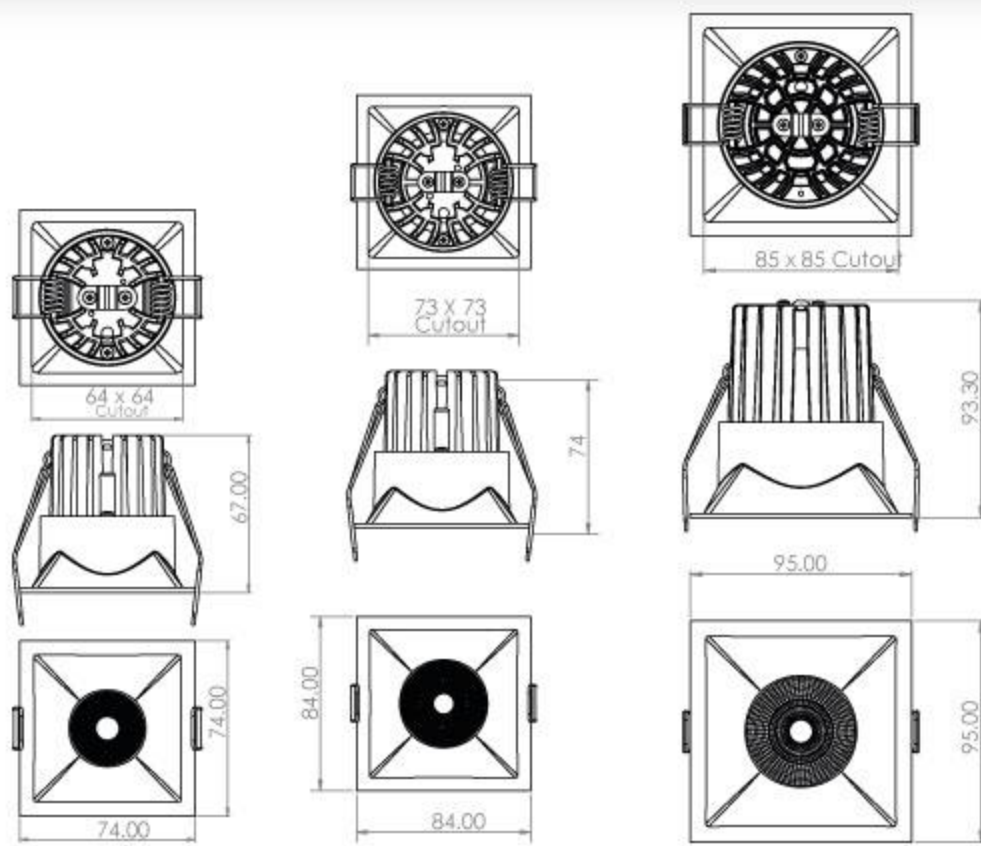
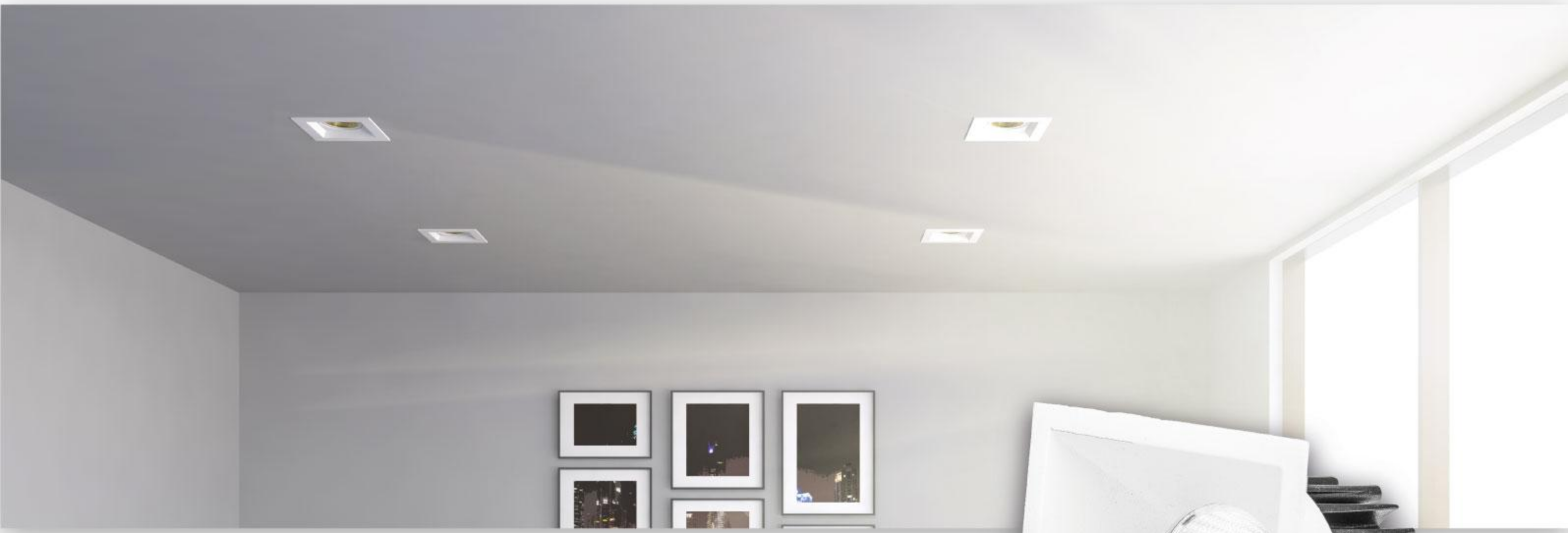
IP Rating: IP20

DRIVER OPTIONS



SPECIAL ADDITIONAL FEATURES





PRODUCT SPECIFICATIONS

Product Type : Recessed Square Downlights

Inner Color : White / Black

Product Name : Square Value

CRI : 80

Product Code : US-50-7W-12W-18W-SQ VALUE

THD : <15

Wattage : 07W / 12W / 18W

Operating Temperature : -10°C to +60°C

CCT : 3000K / 4000K / 6000K

Material : Aluminium

Outer Body Color : White / Black

Beam Angle : 38°

Input Voltage : 185-265V

LED : CREE / Bridgelux

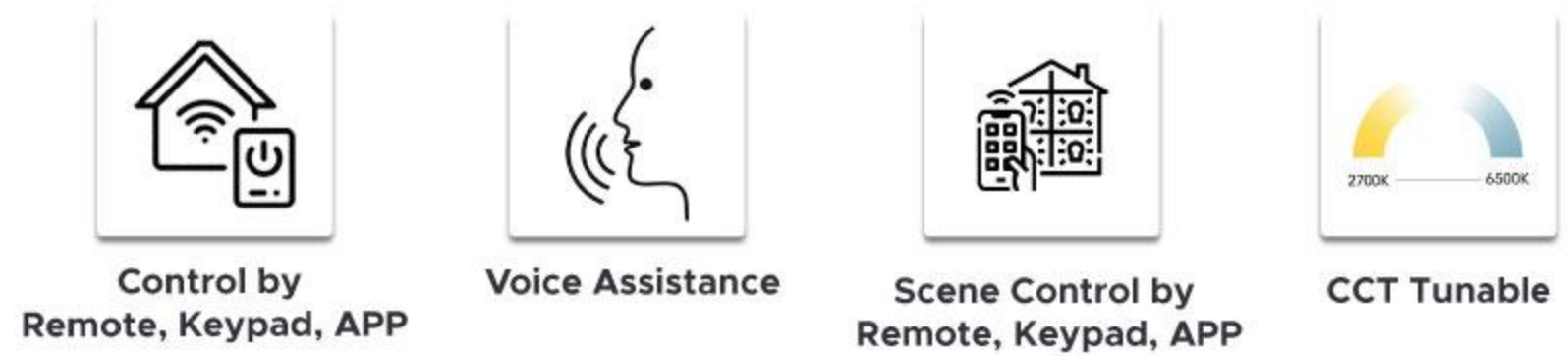
Lumens : 100LM/ Watt

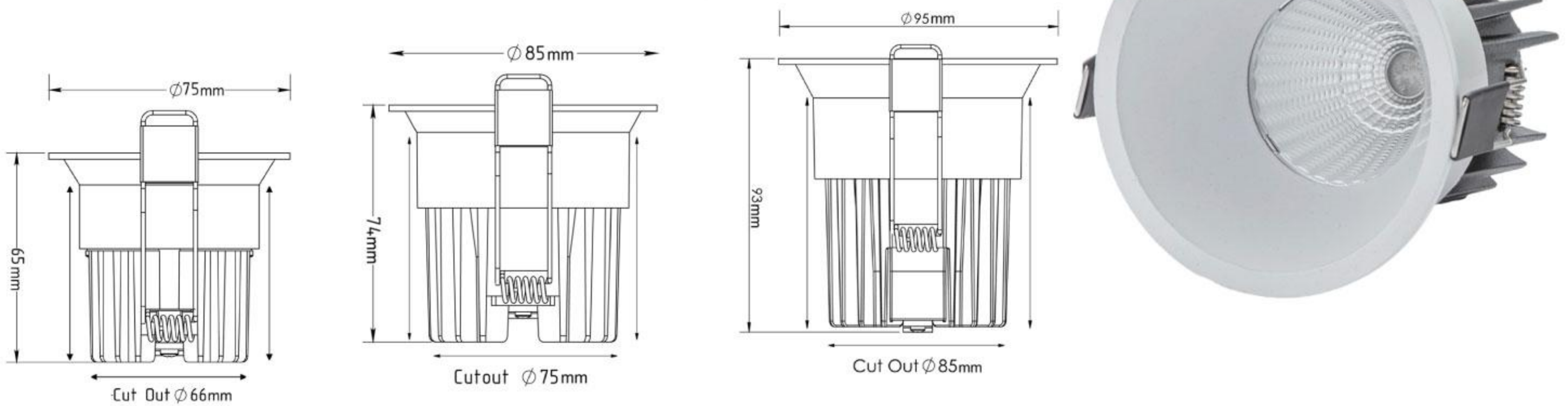
IP Rating: IP20

DRIVER OPTIONS



SPECIAL ADDITIONAL FEATURES





PRODUCT SPECIFICATIONS

Product Type : Recessed Downlights

Product Name : Value Downlight

Product Code : US-60-7W-12W-18W VALUE

Wattage : 7W / 12W / 18W

CCT : 3000K / 4000K / 6000K

Outer Body Color : White / Black

Input Voltage : 185-265V

Lumens : 100LM/ Watt

Inner Color : White / Black

CRI : 80

THD : <15

Operating Temperature : -10°C to +60°C

Material : Aluminium

Beam Angle : 38°

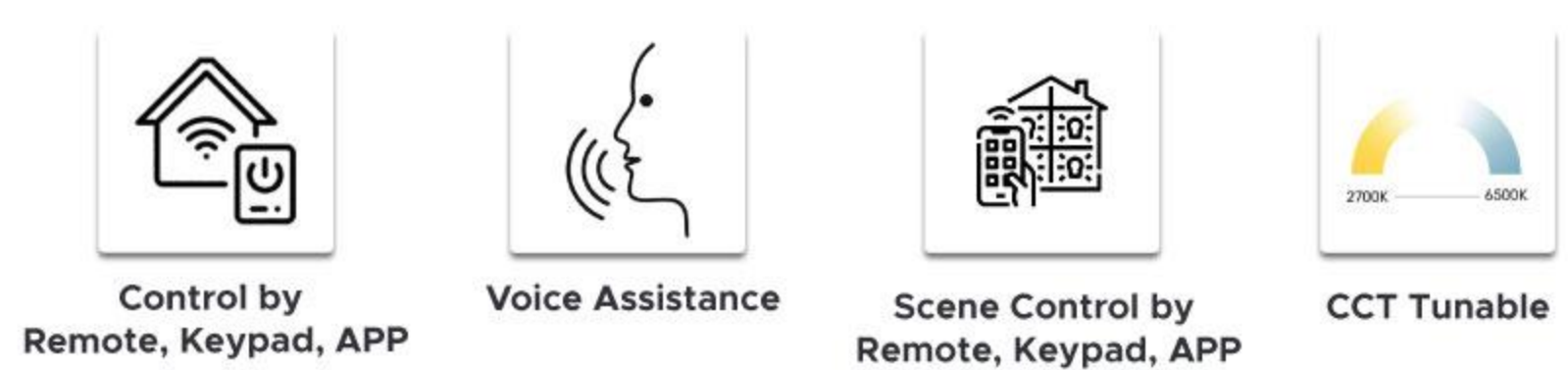
LED : CREE / Bridgelux

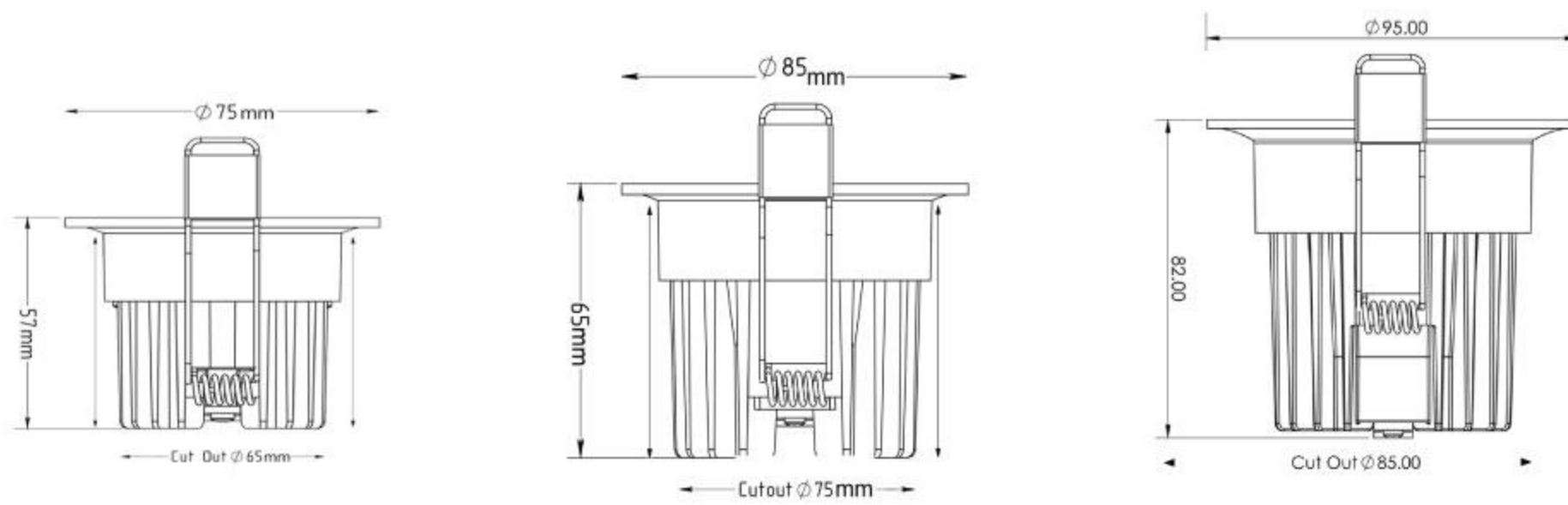
IP Rating: IP20

DRIVER OPTIONS



SPECIAL ADDITIONAL FEATURES





PRODUCT SPECIFICATIONS

Product Type : Recessed Downlights

Product Name : Curve Downlight

Product Code : US-60-7W-12W-18W CURVE

Wattage : 7W / 12W / 18W

CCT : 3000K / 4000K / 6000K

Outer Body Color : White

Input Voltage : 185-265V

Lumens : 100LM/ Watt

Inner Color : White / Black

CRI : 80

THD : <15

Operating Temperature : -10°C to +60°C

Material : Aluminium

Beam Angle : 38°

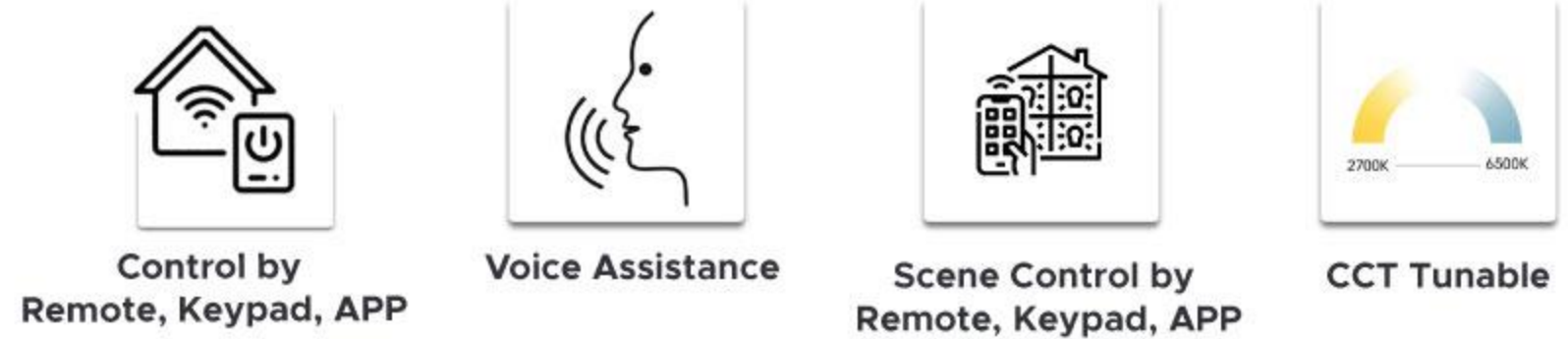
LED : CREE / Bridgelux

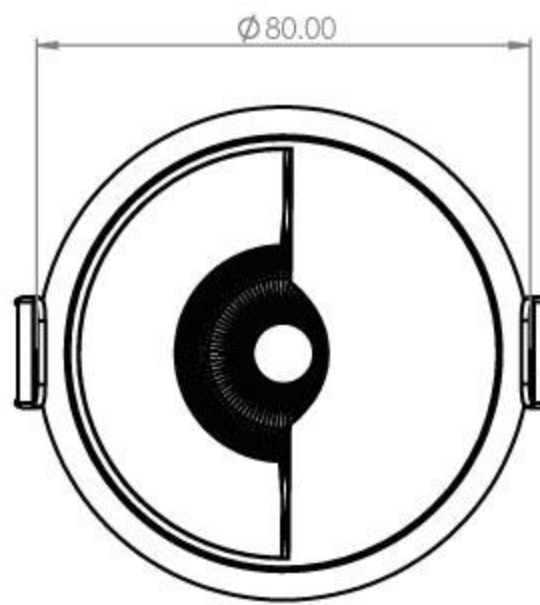
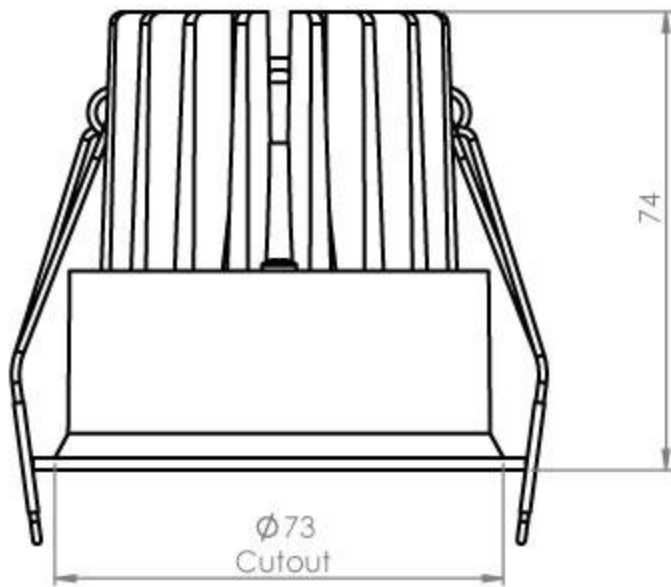
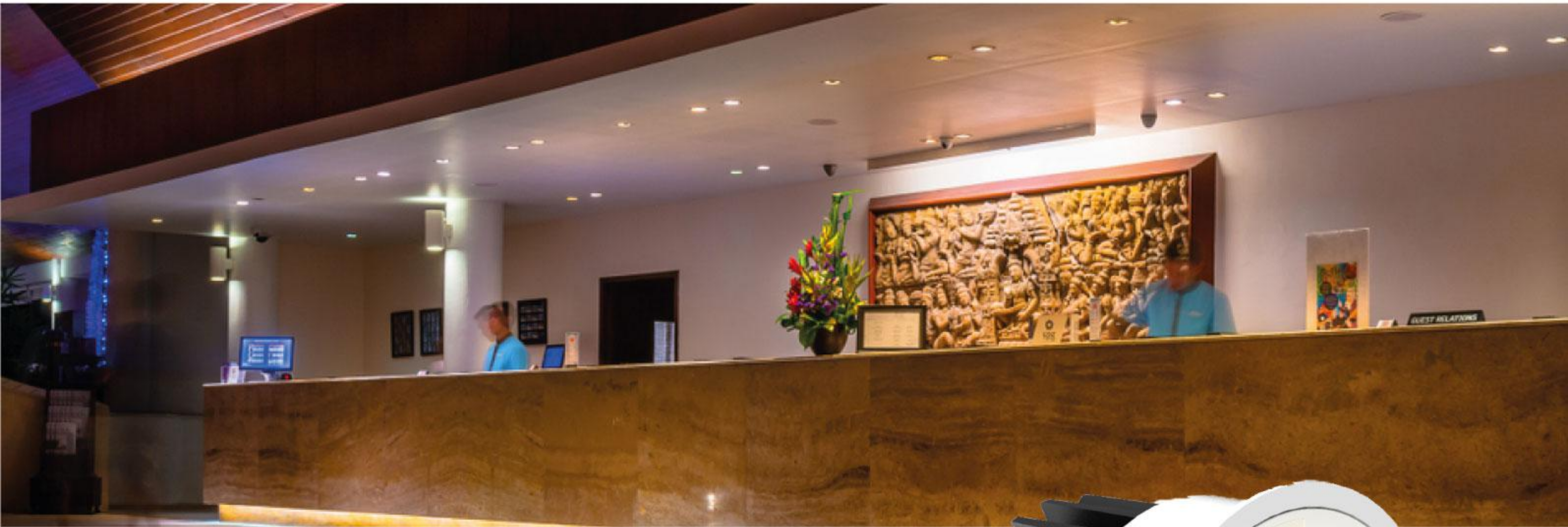
IP Rating: IP20

DRIVER OPTIONS



SPECIAL ADDITIONAL FEATURES





PRODUCT SPECIFICATIONS

Product Type : Recessed Downlights

Inner Body Color : White / Black

Product Name : Value Crescent

CRI : 80

Product Code : US-50-12W-VALUE WW

THD : <15

Wattage : 12W

Operating Temperature : -10°C to +60°C

CCT : 3000K / 4000K / 6000K

Material : Aluminium

Outer Body Color : White / Black

Beam Angle : 38°

Input Voltage : 185-265V

LED : CREE / Bridgelux

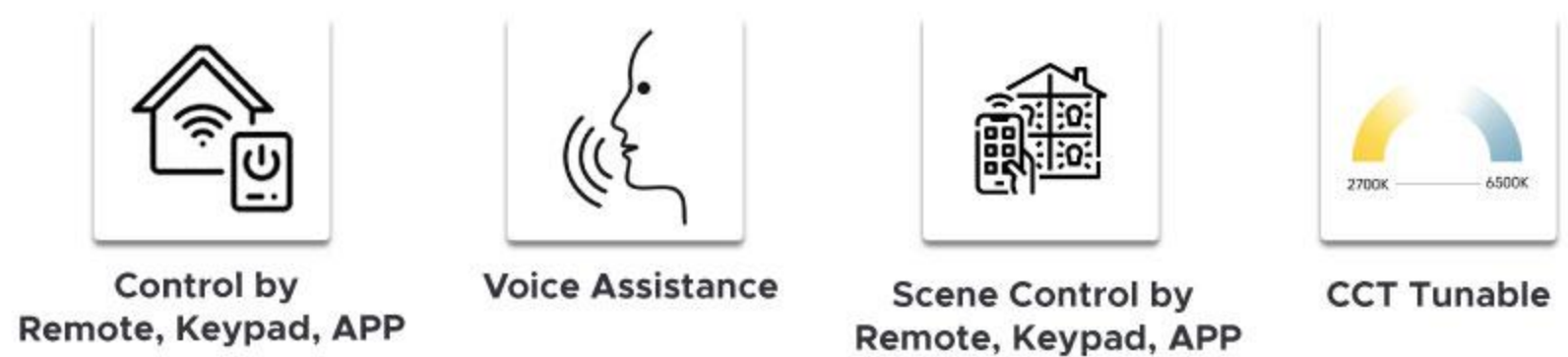
Lumens : 100LM/ Watt

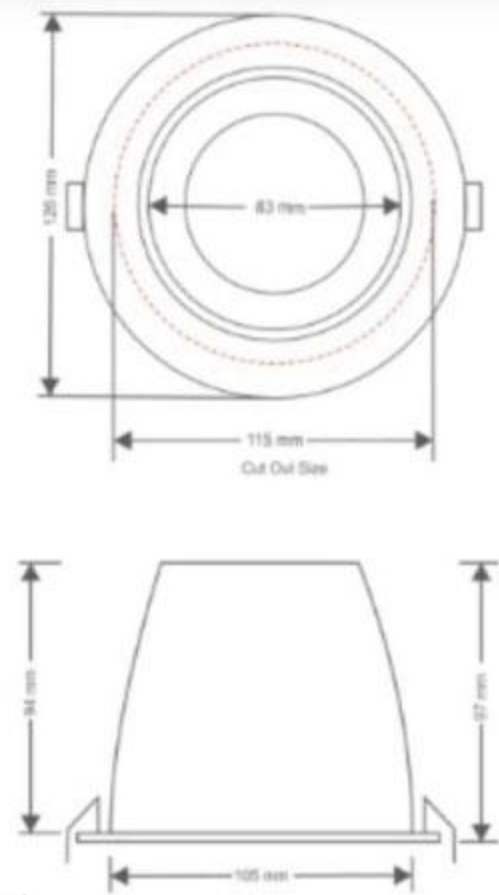
IP Rating: IP20

DRIVER OPTIONS



SPECIAL ADDITIONAL FEATURES





PRODUCT SPECIFICATIONS

Product Type : Recessed Downlights

Inner Color : White / Black

Product Name : Retail Pro Alpha

CRI : 80

Product Code : US-10-25W-RPA

THD : <15

Wattage : 25W

Operating Temperature : -10°C to +60°C

CCT : 3000K / 4000K / 6000K

Material : Aluminium

Outer Body Color : White / Black

Beam Angle : 38°

Input Voltage : 185-265V

LED : CREE / Bridgelux

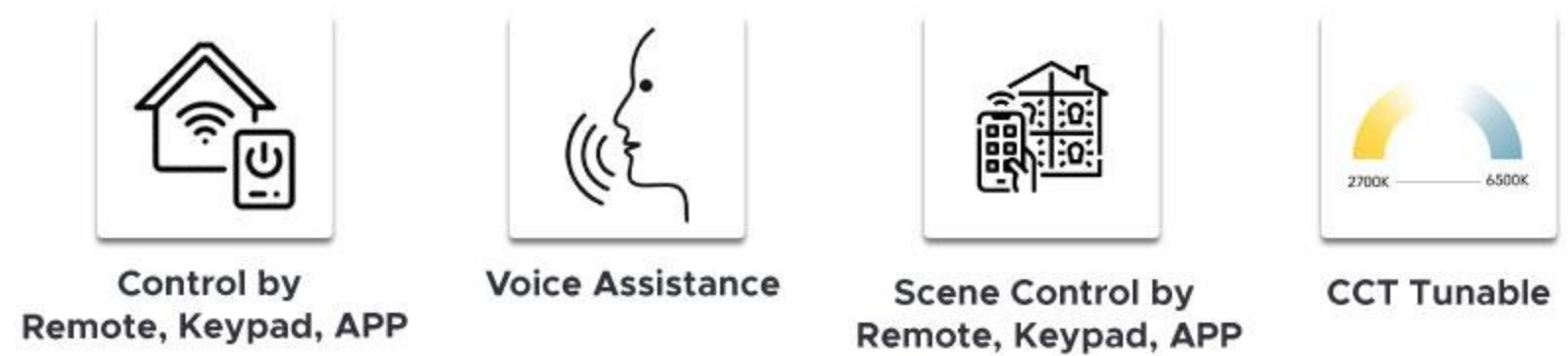
Lumens : 100LM/ Watt

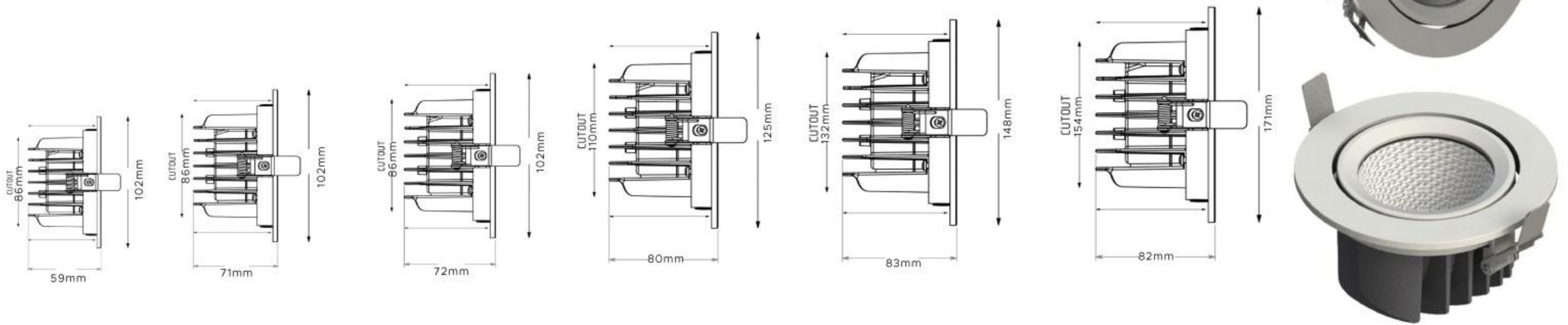
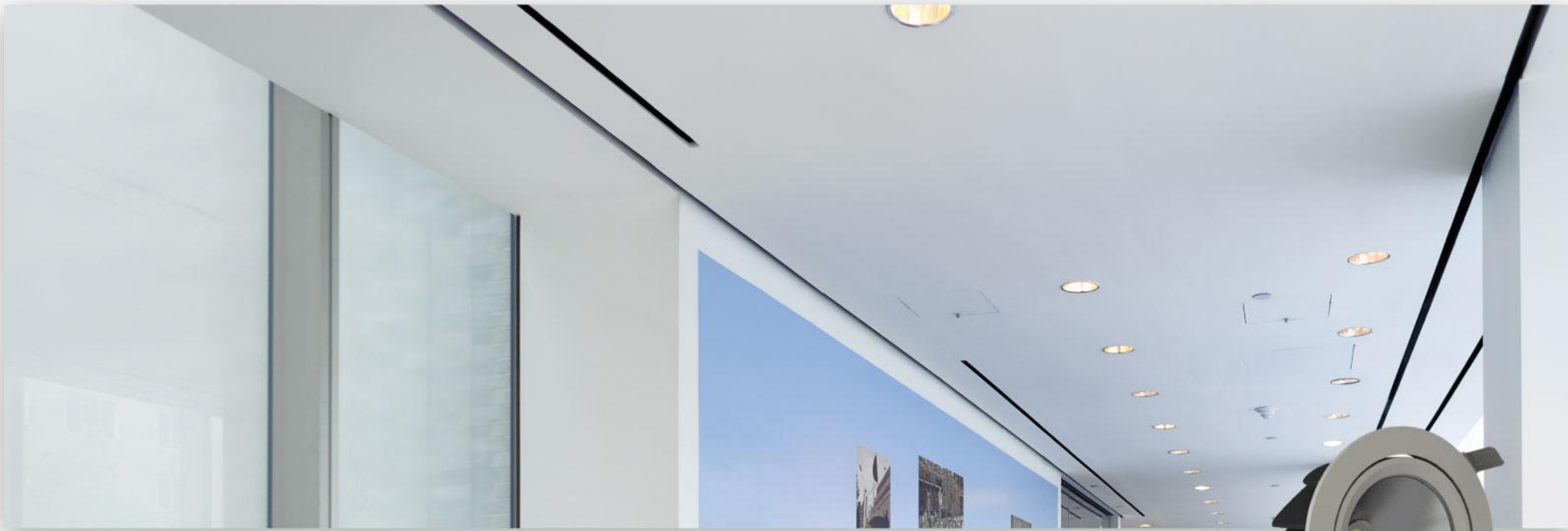
IP Rating: IP20

DRIVER OPTIONS



SPECIAL ADDITIONAL FEATURES





PRODUCT SPECIFICATIONS

Product Type : Recessed Downlights

Product Name : Swivel Downlight

Product Code : US-10 6W-9W-12W-18W-24W-40W

Wattage : 6W / 9W / 12W / 18W / 24W / 40W

CCT : 3000K / 4000K / 6000K

Outer Body Color : White / Black

Input Voltage : 185-265V

Lumens : 100LM/ Watt

Inner Color : White / Black

CRI : 80

THD : <15

Operating Temperature : -10°C to +60°C

Material : Aluminium

Beam Angle : 38°

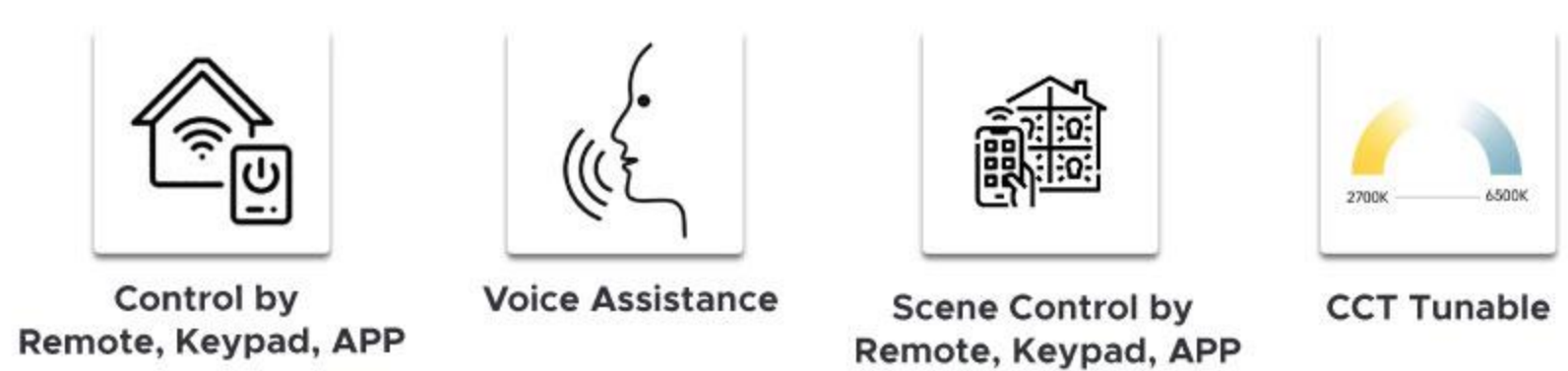
LED : CREE / Bridgelux

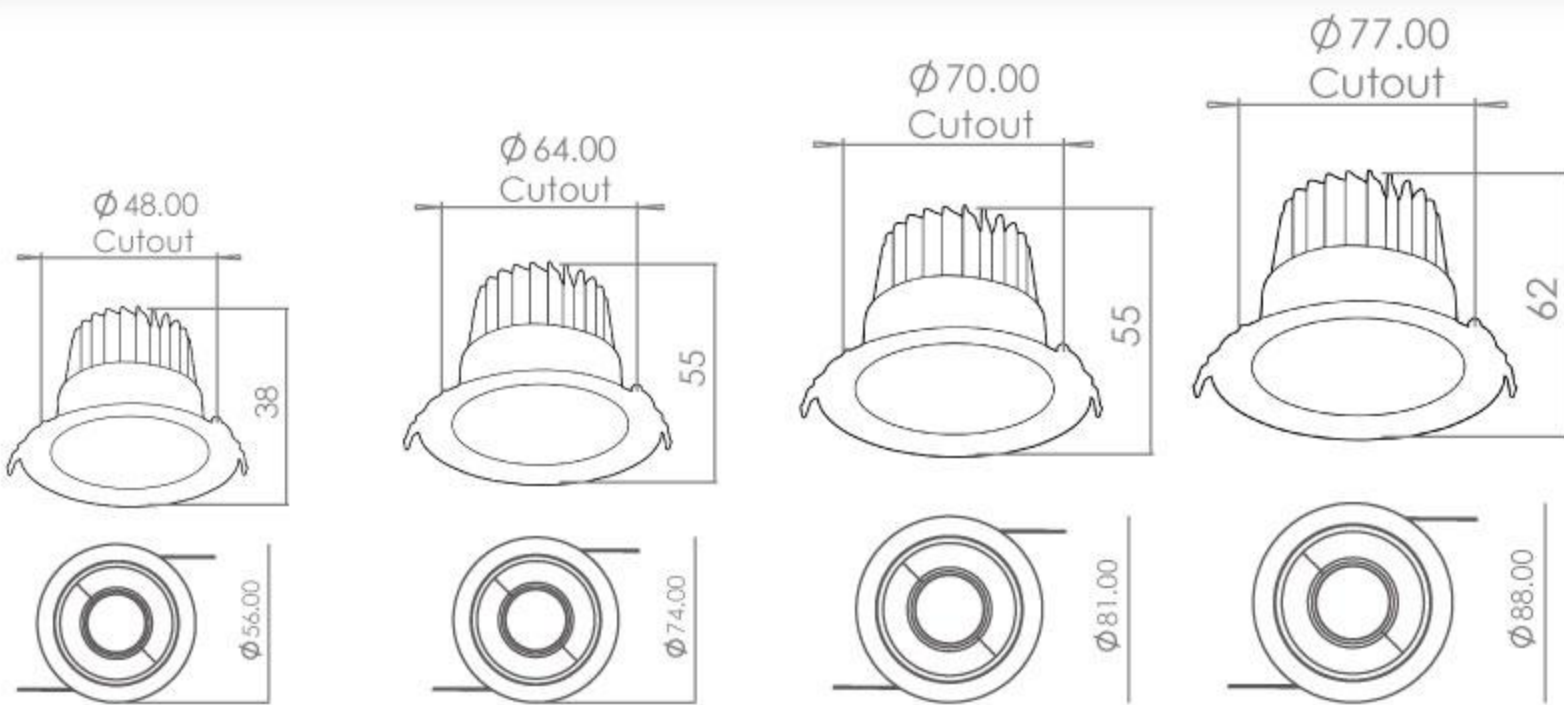
IP Rating: IP20

DRIVER OPTIONS



SPECIAL ADDITIONAL FEATURES





PRODUCT SPECIFICATIONS

Product Type : Recessed Swivel Downlights

Inner Color : White / Black

Product Name : Edge Moveable

CRI : 80

Product Code : US-10-3W-7W-8_10W-12_15W-EM

THD : <15

Wattage : 3W / 7W / 8-10W / 12-15W

Operating Temperature : -10°C to +60°C

CCT : 3000K / 4000K / 6000K

Material : Aluminium

Outer Body Color : White / Black

Beam Angle : 38°

Input Voltage : 185-265V

LED : CREE / Bridgelux

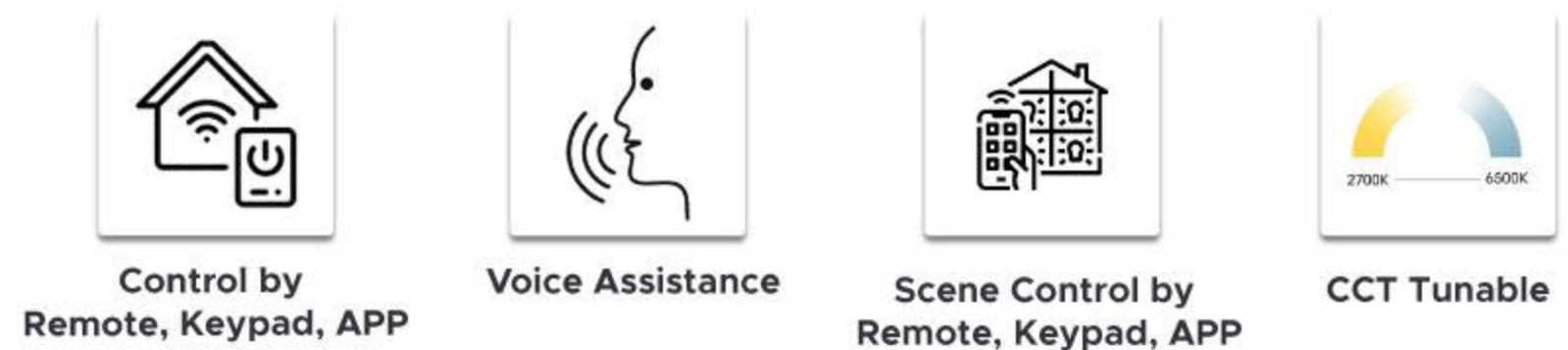
Lumens : 100LM/ Watt

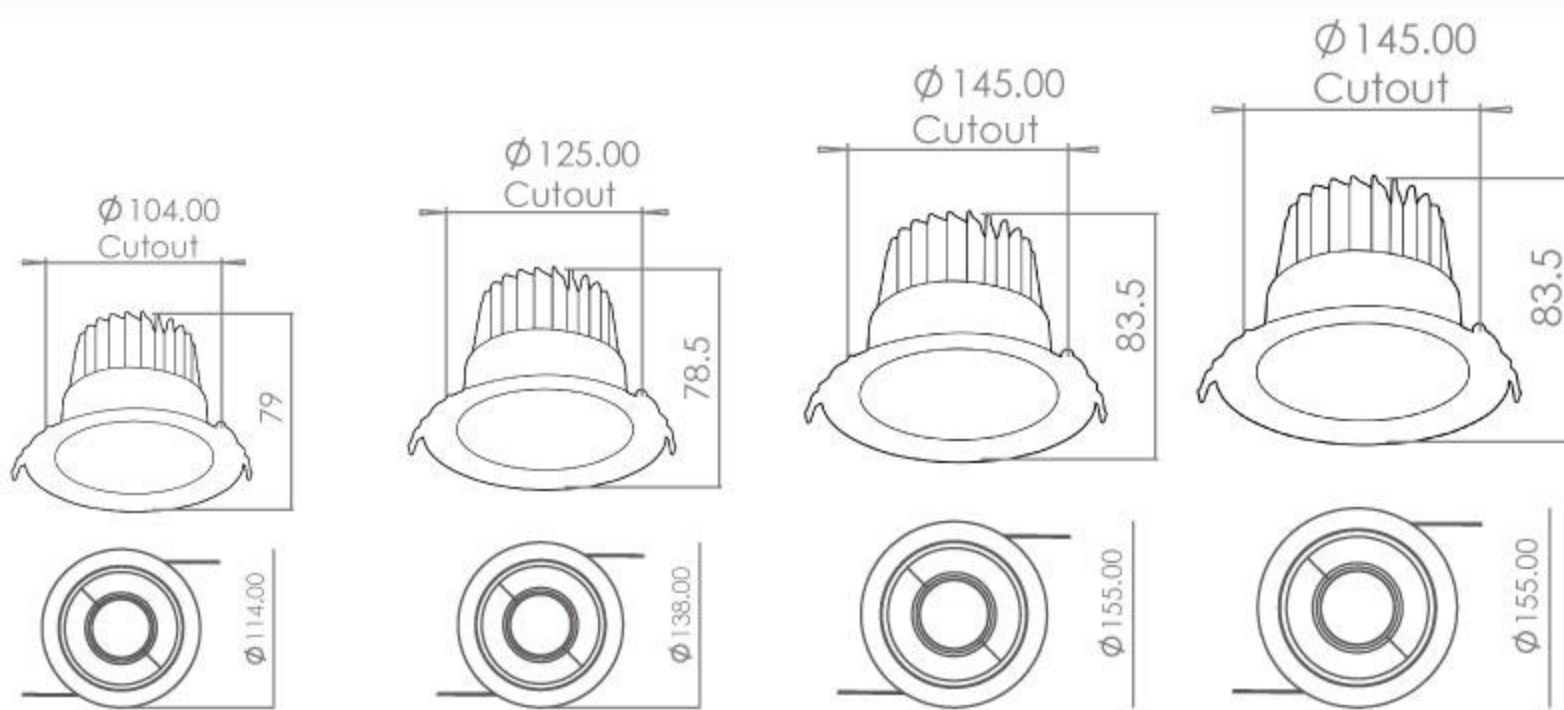
IP Rating: IP20

DRIVER OPTIONS



SPECIAL ADDITIONAL FEATURES





PRODUCT SPECIFICATIONS

Product Type : Recessed Swivel Downlights

Inner Color : White / Black

Product Name : Edge Moveable

CRI : 80

Product Code : US-10-18_22W-25_30W-36W-50W-EM

THD : <15

Wattage : 18-22W / 25-30W / 36W / 50W

Operating Temperature : -10°C to +60°C

CCT : 3000K / 4000K / 6000K

Material : Aluminium

Outer Body Color : White / Black

Beam Angle : 38°

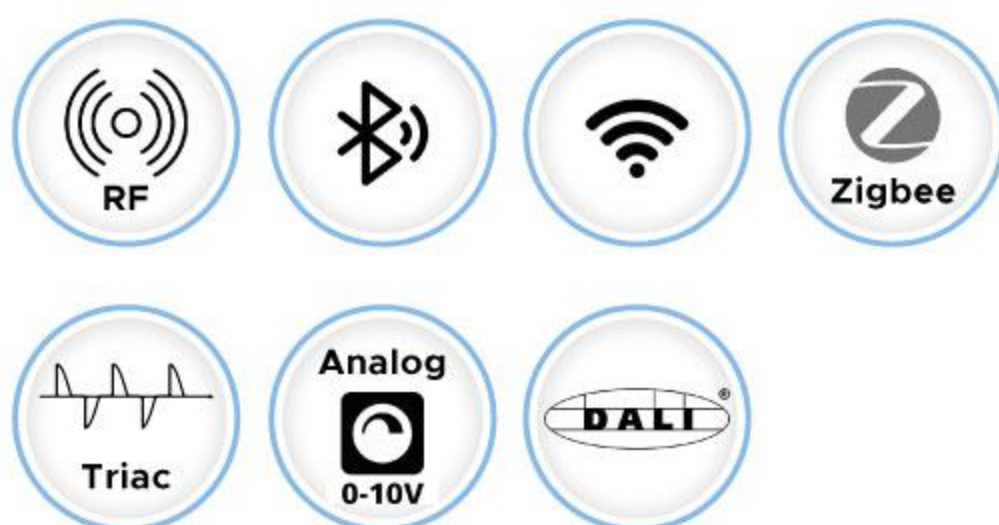
Input Voltage : 185-265V

LED : CREE / Bridgelux

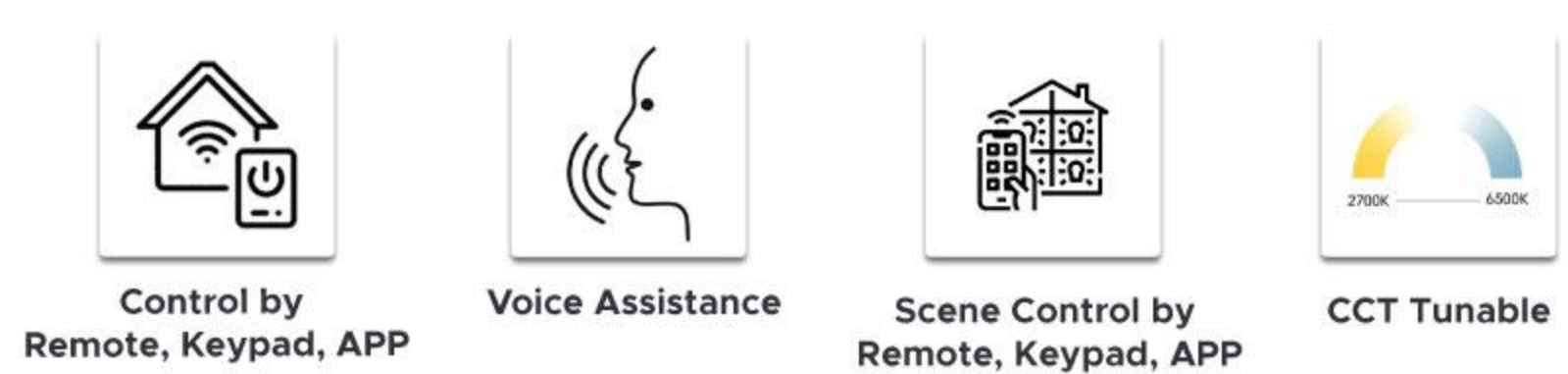
Lumens : 100LM/ Watt

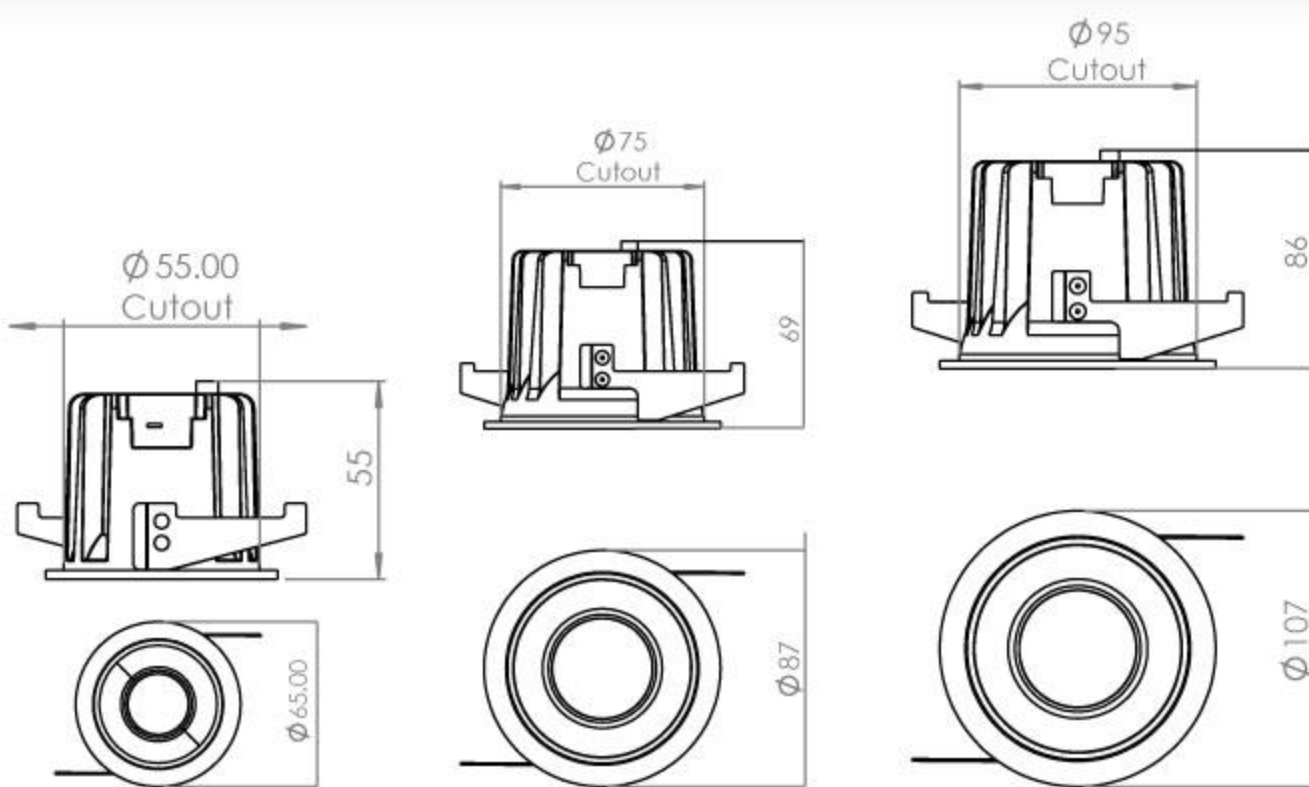
IP Rating: IP20

DRIVER OPTIONS



SPECIAL ADDITIONAL FEATURES





PRODUCT SPECIFICATIONS

Product Type : Recessed Downlight

Product Name : Crome

Product Code : US-100-7W_12W-15W_18W-20W-CROME

Wattage : 7W / 12W-15W / 18W-20W

CCT : 3000K / 4000K / 6000K

Outer Body Color : White / Black

Input Voltage : 185-265V

Lumens : 100LM/ Watt

Reflector : Chrome, Rose Gold, Glossy White,

Glossy Black, Matte White, Matte Black, Metallic Silver

CRI : 80

THD : <15

Operating Temperature : -10°C to +60°C

Material : Aluminium

Beam Angle : 38°

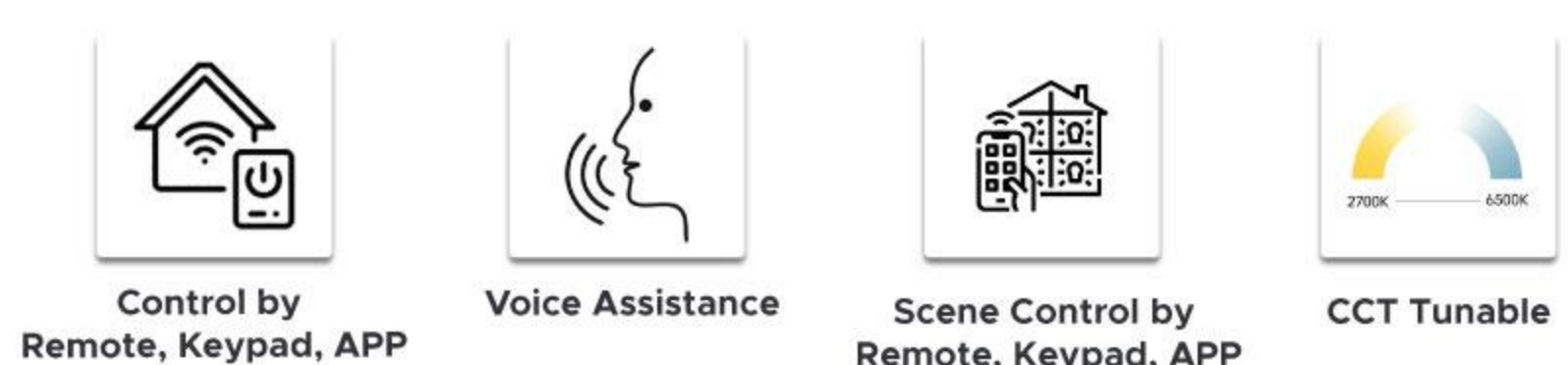
LED : CREE / Bridgelux

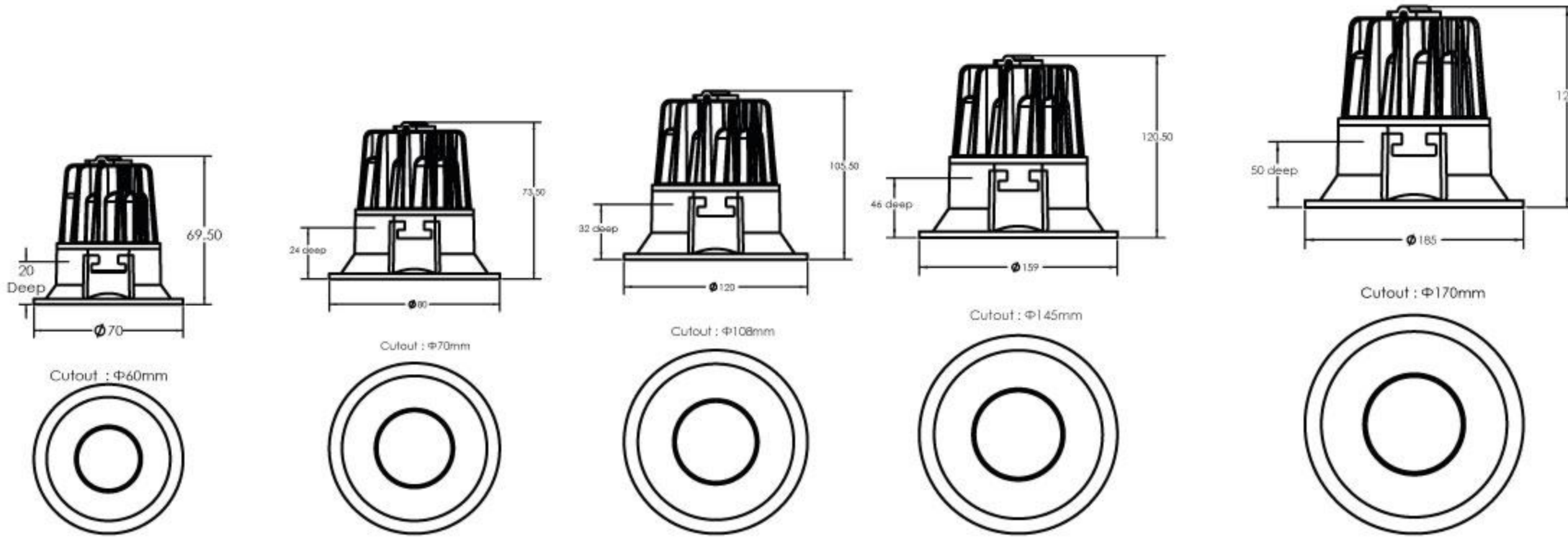
IP Rating: IP20

DRIVER OPTIONS



SPECIAL ADDITIONAL FEATURES





PRODUCT SPECIFICATIONS

Product Type : Recessed Downlights

Inner Color : White / Black

Product Name : Sonic Downlight

CRI : 80

Product Code : US-10-7W-12W-18_22W-30W-40_50W-SD

THD : <15

Wattage : 07W / 12W / 18-22W / 30W / 40-50W

Operating Temperature : -10°C to +60°C

CCT : 3000K / 4000K / 6000K

Material : Aluminium

Outer Body Color : White / Black

Beam Angle : 38°

Input Voltage : 185-265V

LED : CREE / Bridgelux

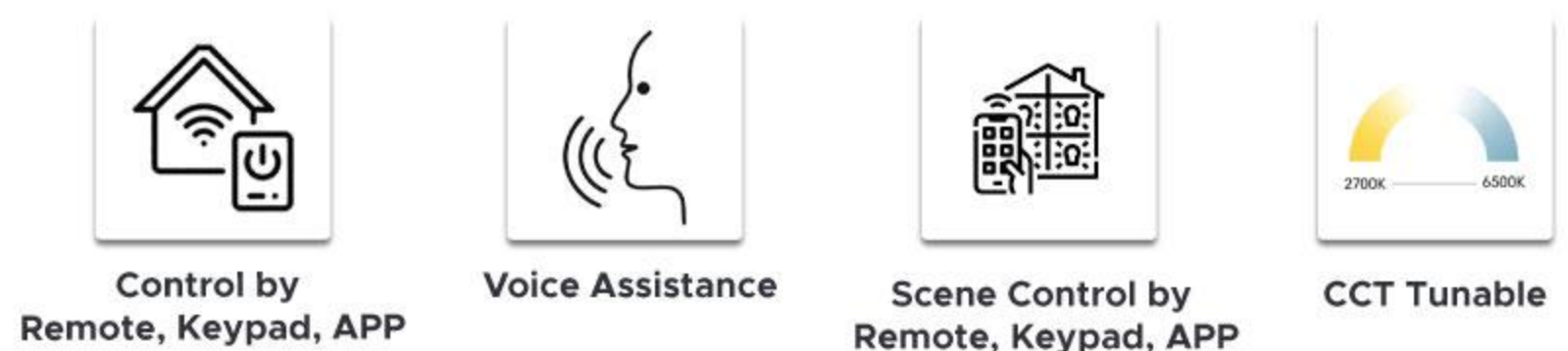
Lumens : 100LM/ Watt

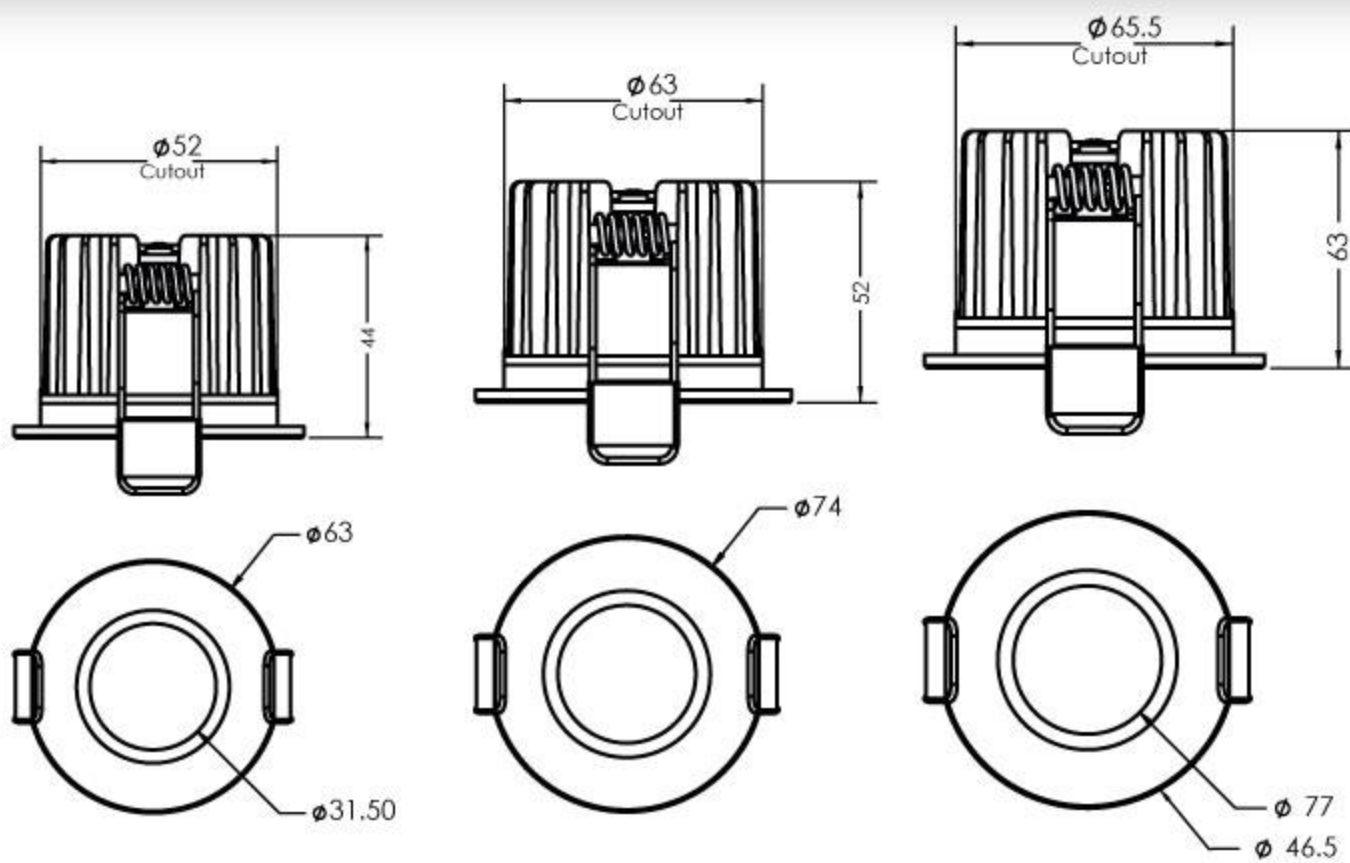
IP Rating: IP20

DRIVER OPTIONS



SPECIAL ADDITIONAL FEATURES





PRODUCT SPECIFICATIONS

Product Type : Recessed Flat Downlights

Inner Color : White / Black

Product Name : Flat Concealed Lito

CRI : 80

Product Code : US-7W-12W-18W-FCL

THD : <15

Wattage : 7W / 12W / 18W

Operating Temperature : -10°C to +60°C

CCT : 3000K / 4000K / 6000K

Material : Aluminium

Outer Body Color : White / Black

Beam Angle : 38°

Input Voltage : 185-265V

LED : CREE / Bridgelux

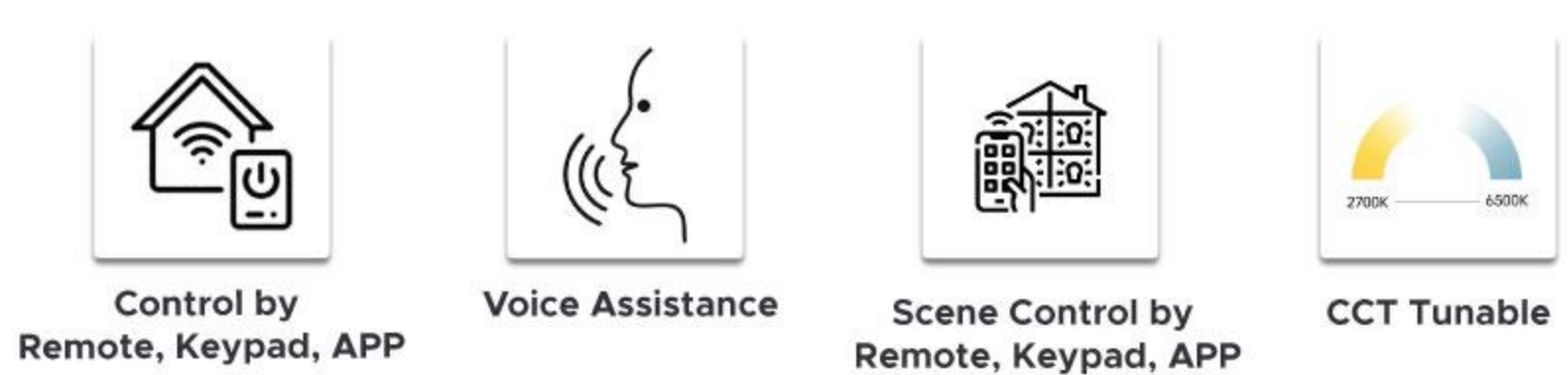
Lumens : 100LM/ Watt

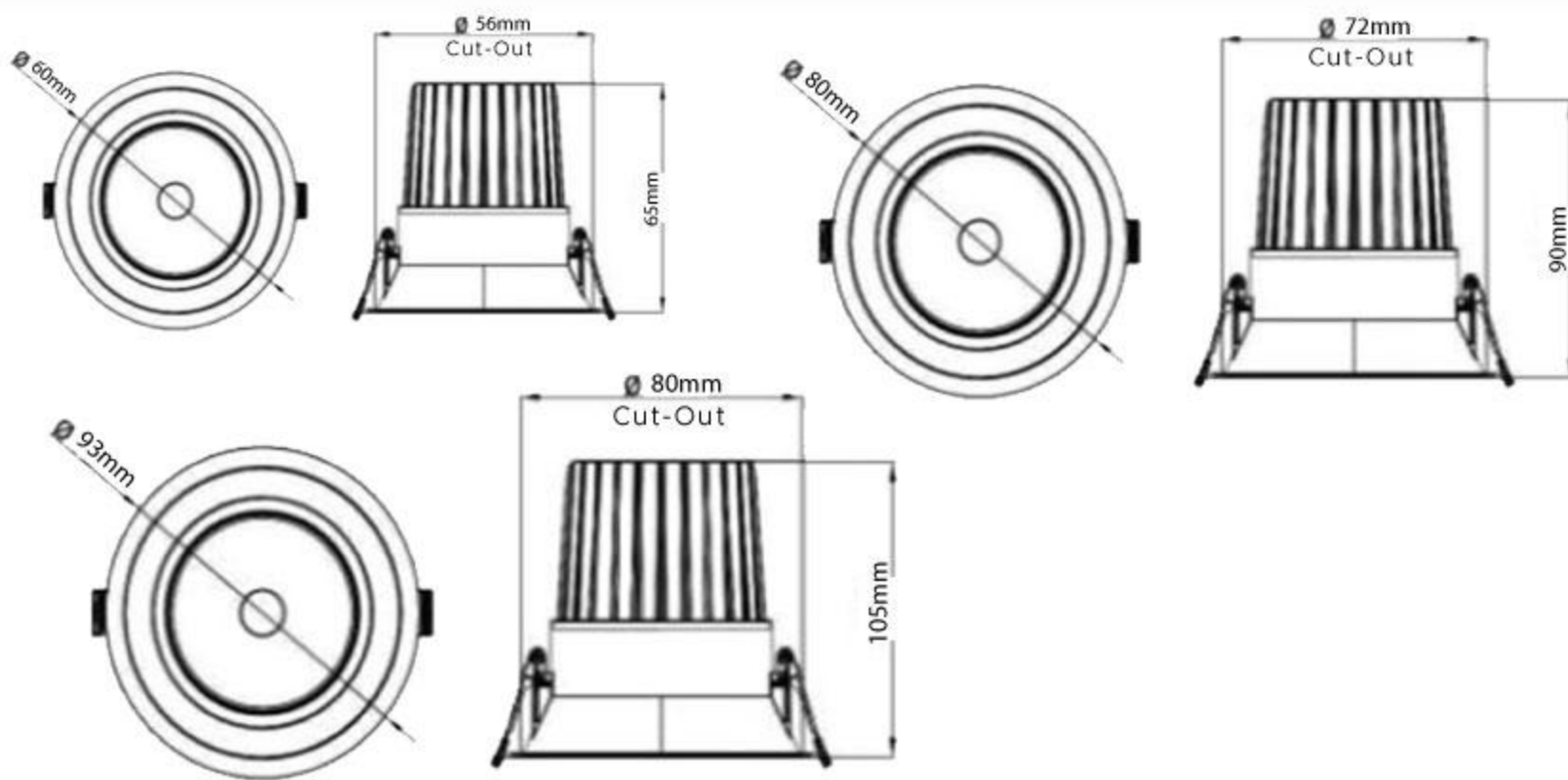
IP Rating: IP20

DRIVER OPTIONS



SPECIAL ADDITIONAL FEATURES





PRODUCT SPECIFICATIONS

Product Type : Recessed Deep Downlights

Product Name : Zeus Downlight

Product Code : US-10-7W-12W-18W-ZD

Wattage : 7W / 12W / 18W

CCT : 3000K / 4000K / 6000K

Outer Body Color : White / Black

Input Voltage : 185-265V

Lumens : 100LM/ Watt

Inner Color: White / Black

CRI : 80

THD : <15

Operating Temperature : -10°C to +60°C

Material : Aluminium

Beam Angle : 38°

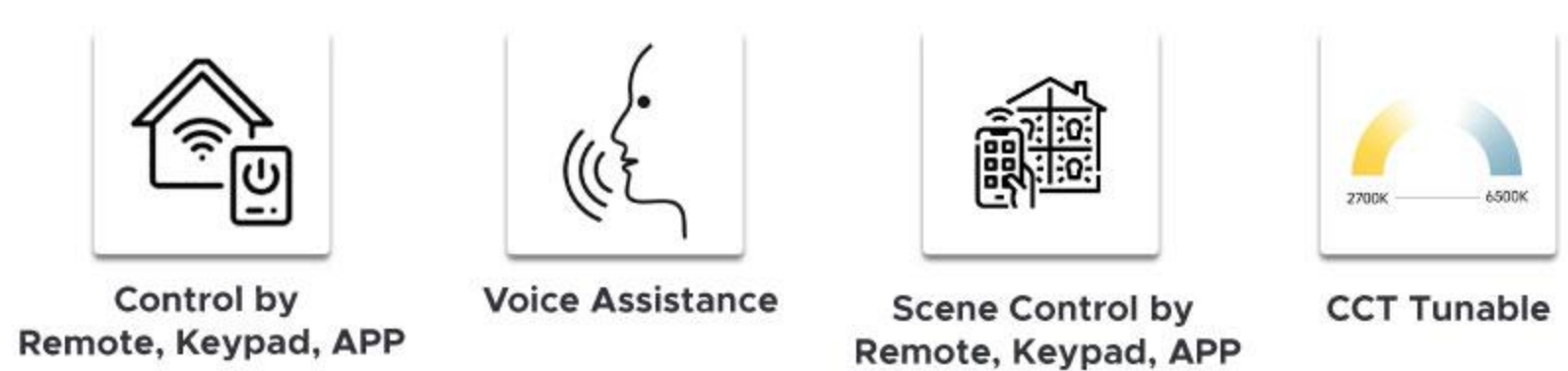
LED : CREE / Bridgelux

IP Rating: IP20

DRIVER OPTIONS

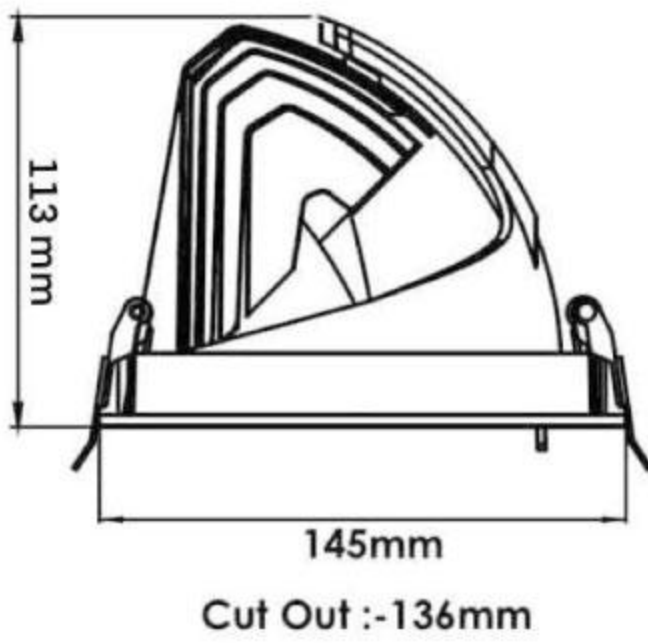


SPECIAL ADDITIONAL FEATURES





25-30 Zoom



PRODUCT SPECIFICATIONS

Product Type : Recessed Downlights

Product Name : US Zoom

Product Code : US-30W-ZOOM

Wattage : 30W

CCT : 3000K / 4000K / 6000K

Outer Body Color : White / Black

Input Voltage : 185-265V

Lumens : 100LM/ Watt

Inner Color : White / Black

CRI : 80

THD : <15

Operating Temperature : -10°C to +60°C

Material : Aluminium

Beam Angle : 38°

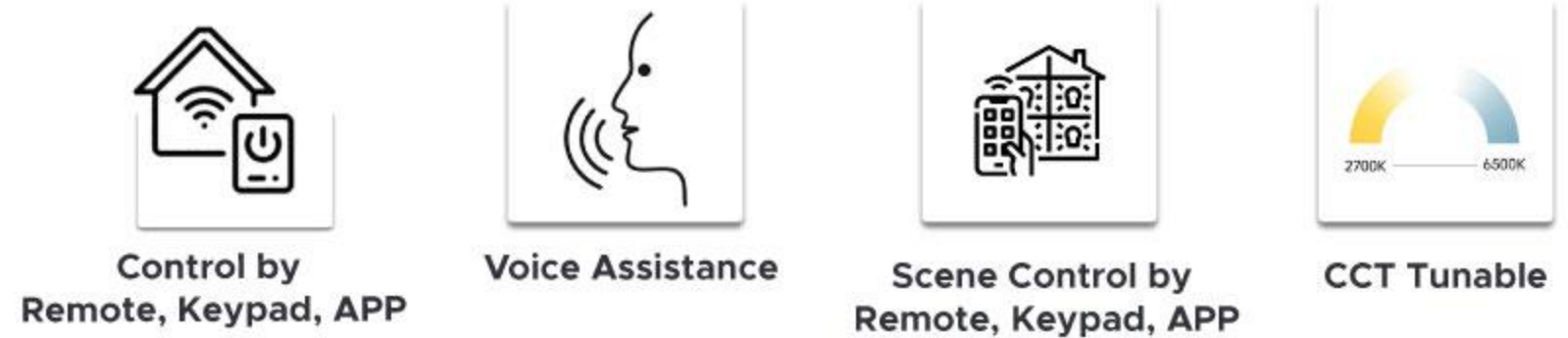
LED : CREE / Bridgelux

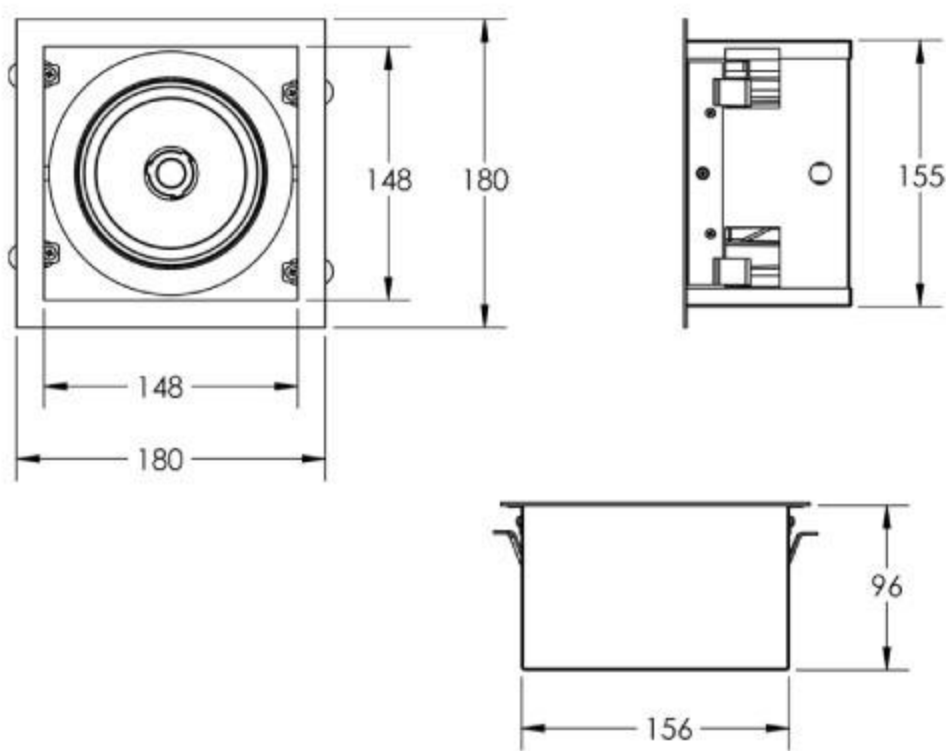
IP Rating: IP20

DRIVER OPTIONS



SPECIAL ADDITIONAL FEATURES





PRODUCT SPECIFICATIONS

Product Type : Recessed Downlights

Inner Color : Black / White

Product Name : Gimbal 1X

CRI : 80

Product Code : US-2X-30W

THD : <15

Wattage : 30W

Operating Temperature : -10°C to +60°C

CCT : 3000K / 4000K / 6000K

Material : Aluminium

Outer Body Color : Black / White

Beam Angle : 38°

Input Voltage : 185-265V

LED : CREE / Bridgelux

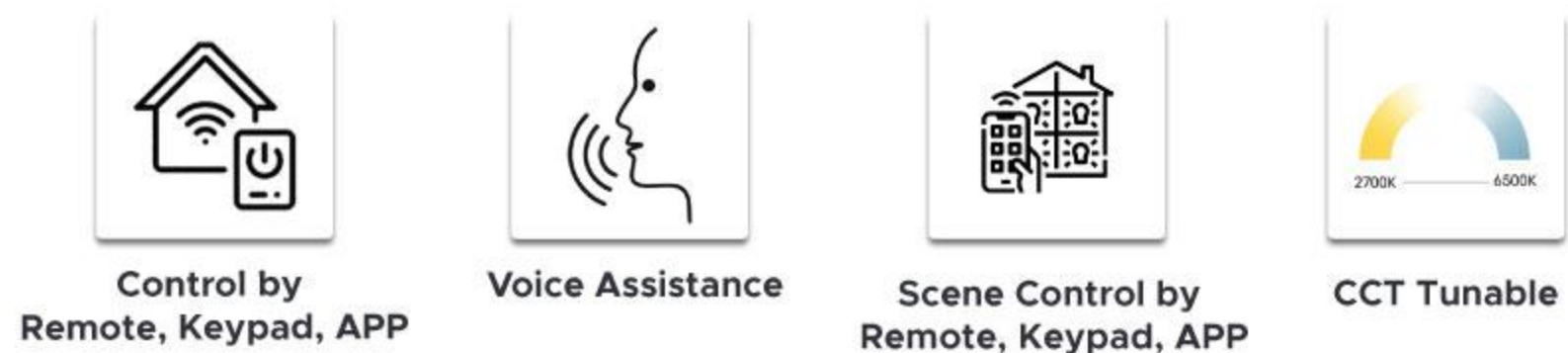
Lumens : 100LM/ Watt

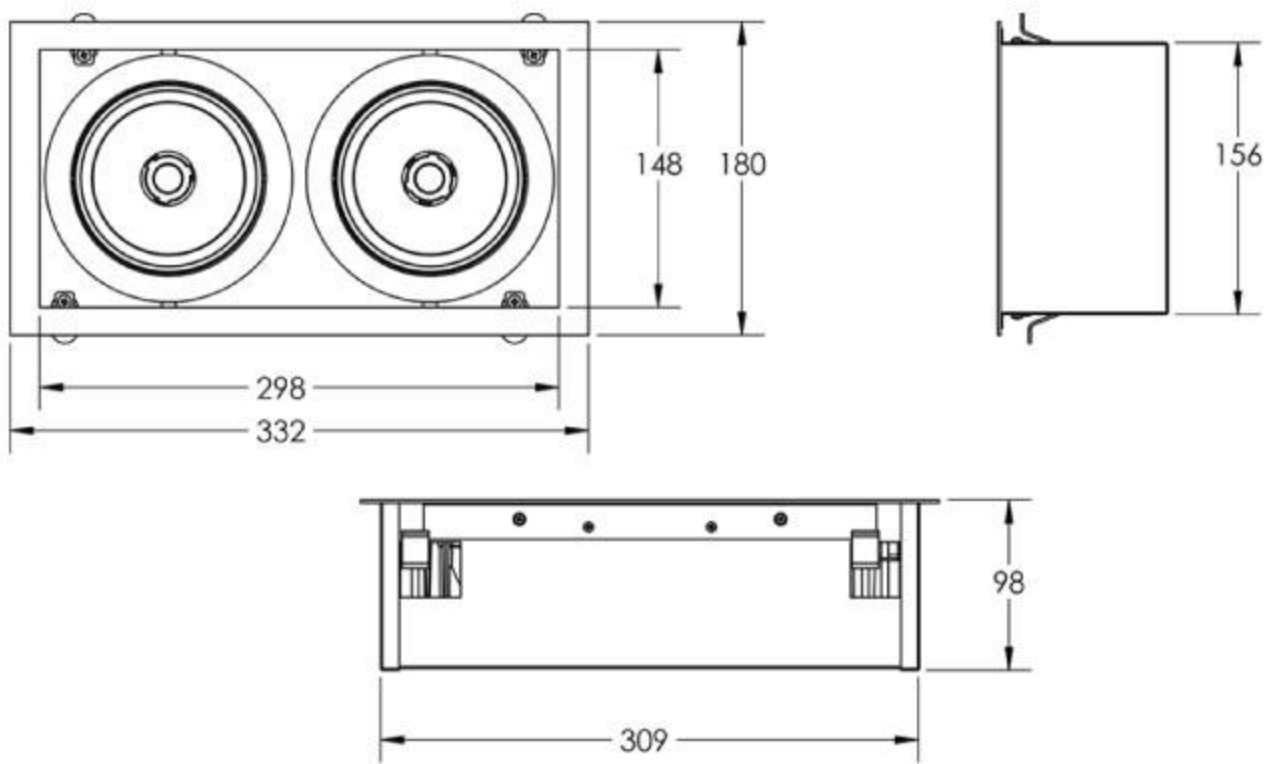
IP Rating: IP20

DRIVER OPTIONS



SPECIAL ADDITIONAL FEATURES





PRODUCT SPECIFICATIONS

Product Type : Recessed Downlights

Inner Color : White / Black

Product Name : Gimbal 2X

CRI : 80

Product Code : US-2X-60W

THD : <15

Wattage : 2x30W

Operating Temperature : -10°C to +60°C

CCT : 3000K / 4000K / 6000K

Material : Aluminium

Outer Body Color : White / Black

Beam Angle : 38°

Input Voltage : 185-265V

LED : CREE / Bridgelux

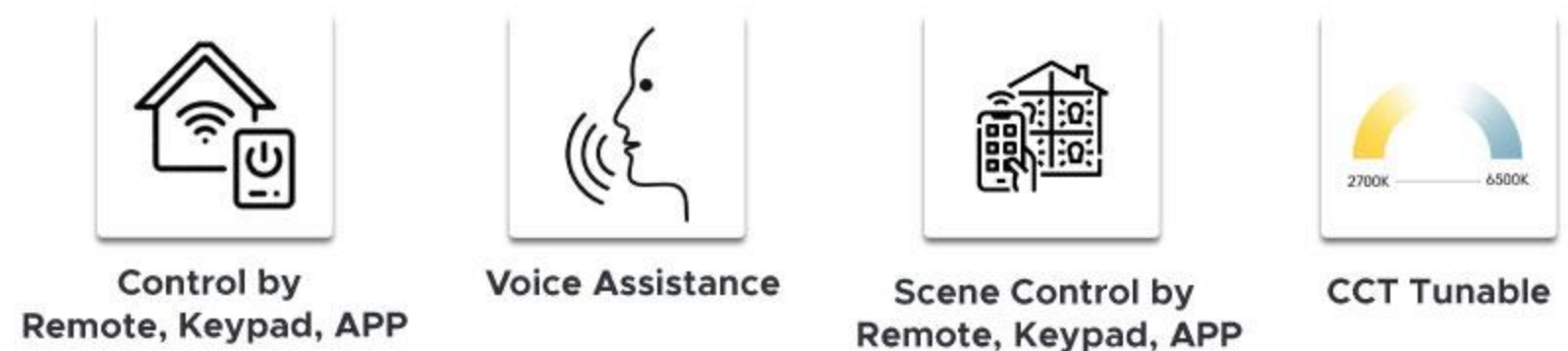
Lumens : 100LM/ Watt

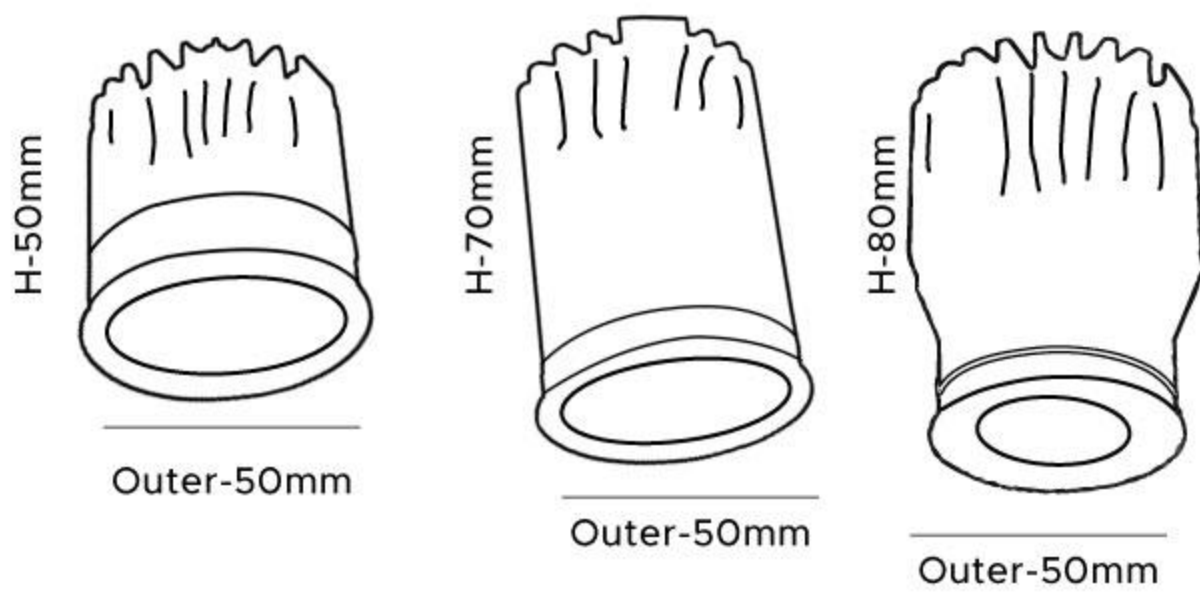
IP Rating: IP20

DRIVER OPTIONS



SPECIAL ADDITIONAL FEATURES





PRODUCT SPECIFICATIONS

Product Type : MR16 Lamps

Product Description : MR16 lamp with anti-glare lens

Product Code : US-MR16-6W-9W-13W-17W

Wattage : 6W / 9W / 13W / 17W

CCT : 3000K / 4000K / 6000K / CCT

Body Color : Black

Input Voltage : 185-265V

Lumens : 100LM/ Watt

Ring : Matt Silver

CRI : 80 / 90

THD : <15

Operating Temperature : -10°C to +60°C

Material : Aluminium

Beam Angle : 15/24/38/60° or frosted diffuser(120°)

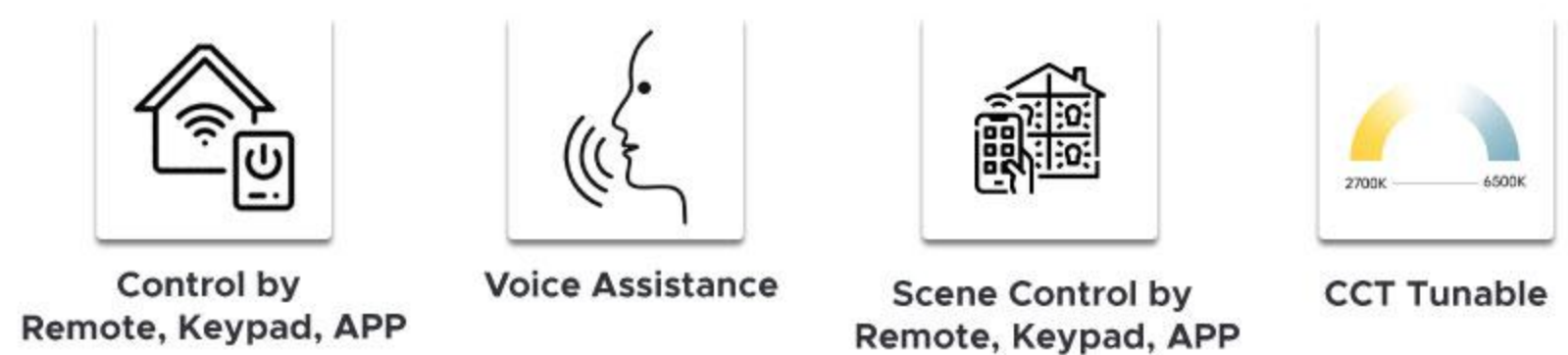
LED : CREE

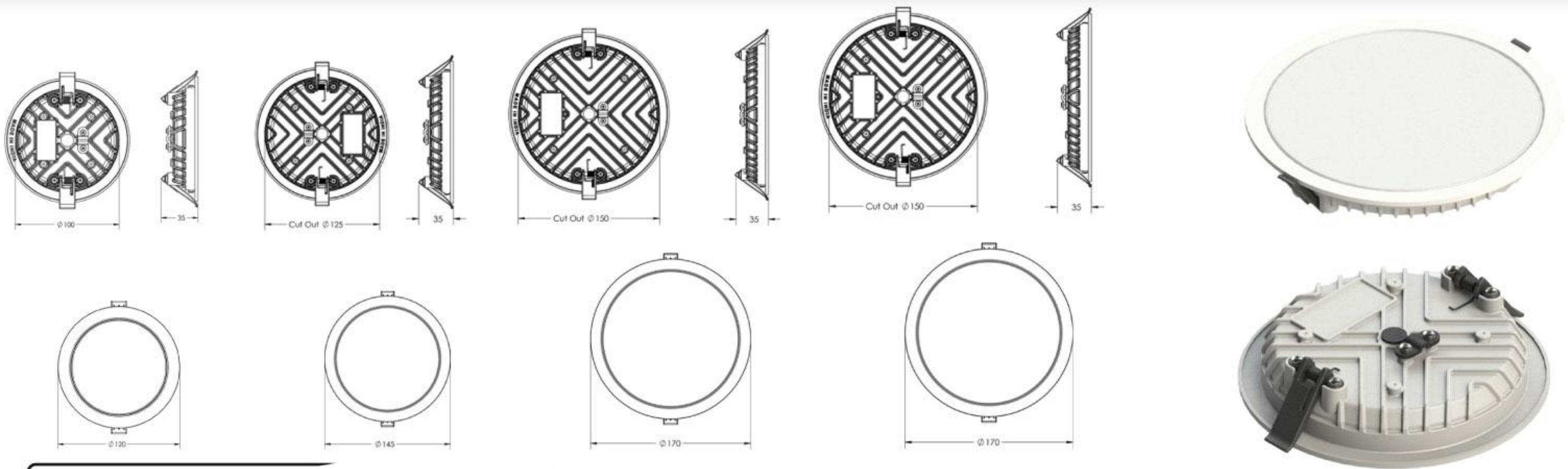
IP Rating: IP33

DRIVER OPTIONS



SPECIAL ADDITIONAL FEATURES





PRODUCT SPECIFICATIONS

Product Type : Recessed SMD Backlit Downlights

Diffuser : PMMA

Product Name : SMD Round Backlit Downlights

CRI : 80

Product Code : US-100-06W-12W-18W-24W-RO

THD : <15

Wattage : 06W / 12W / 18W / 24W

Operating Temperature : -10°C to +60°C

CCT : 3000K / 4000K / 6000K

Material : Aluminium

Outer Body Color : White / Black

Beam Angle : 120°

Input Voltage : 185-265V

LED : SMD 2835

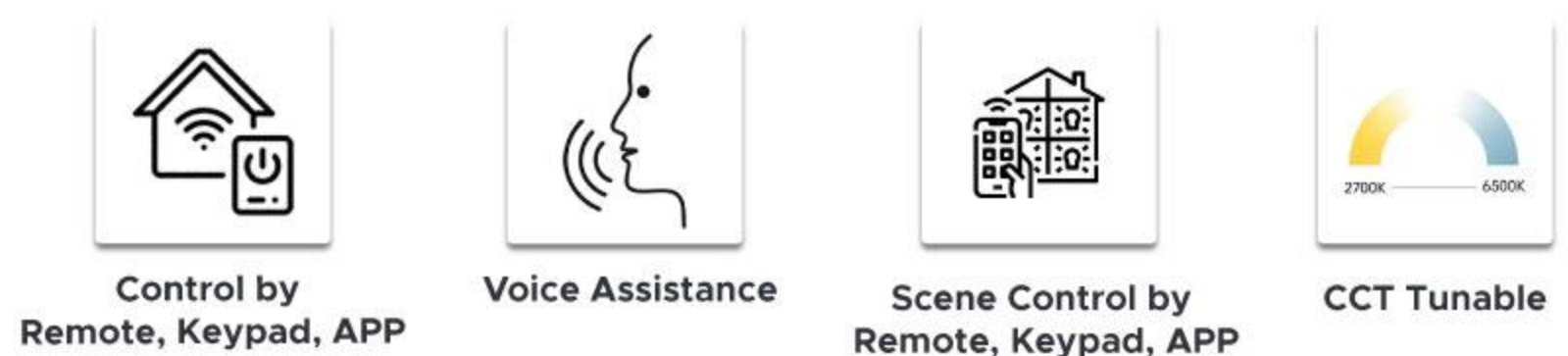
Lumens : 100LM/Watt

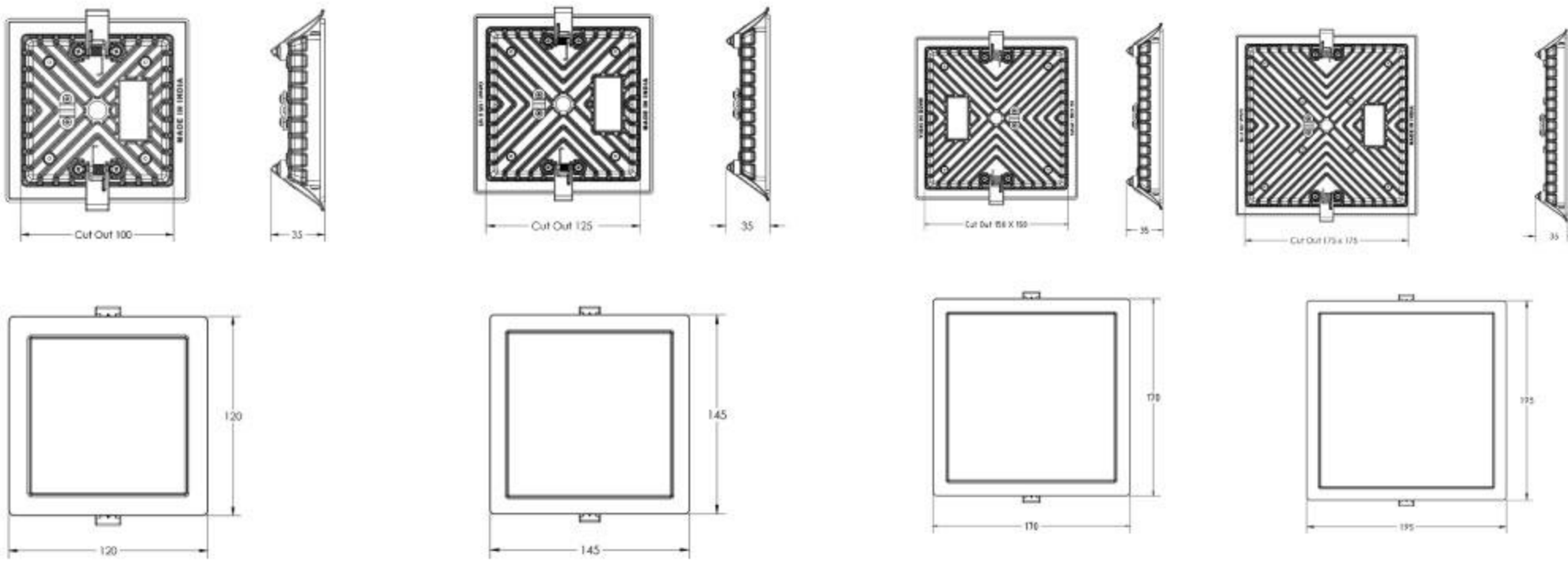
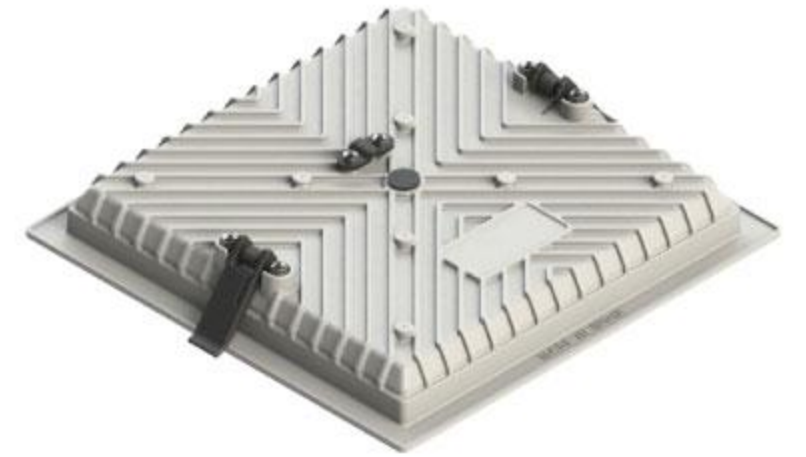
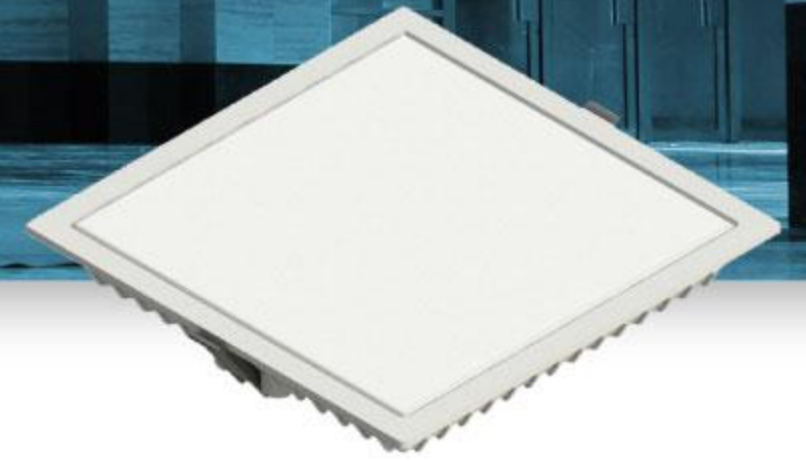
IP Rating: IP20

DRIVER OPTIONS



SPECIAL ADDITIONAL FEATURES





PRODUCT SPECIFICATIONS

Product Type : Recessed SMD Backlit Downlights

Diffuser : PMMA

Product Name : SMD Square Backlit Downlights

CRI : 80

Product Code : US-100-06W-12W-18W-24W-SQ

THD : <15

Wattage : 06W / 12W / 18W / 24W

Operating Temperature : -10°C to +60°C

CCT : 3000K / 4000K / 5000K

Material : Aluminium

Outer Body Color : White / Black

Beam Angle : 120°

Input Voltage : 185-265V

LED : SMD 2835

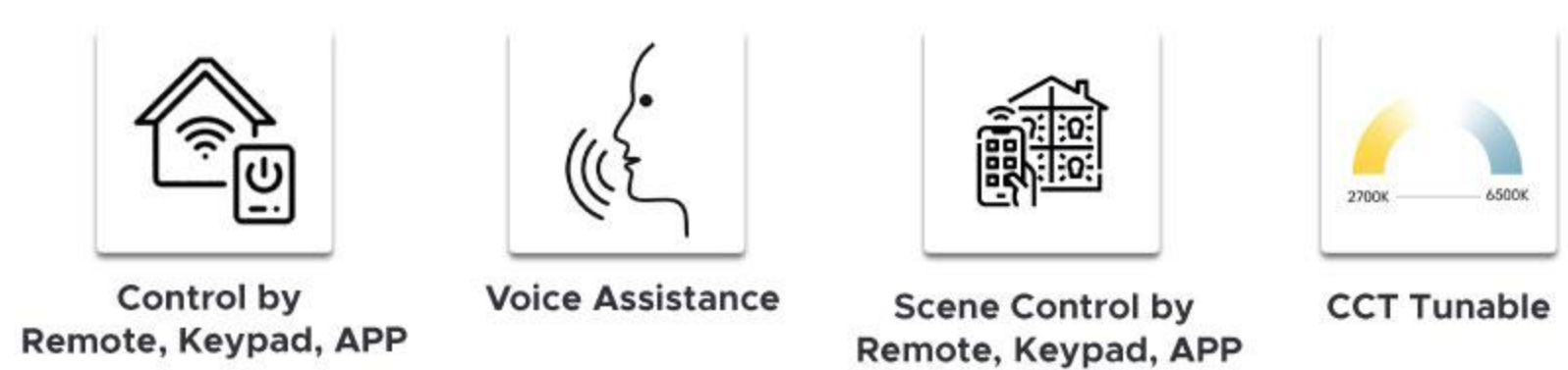
Lumens : 100LM/ Watt

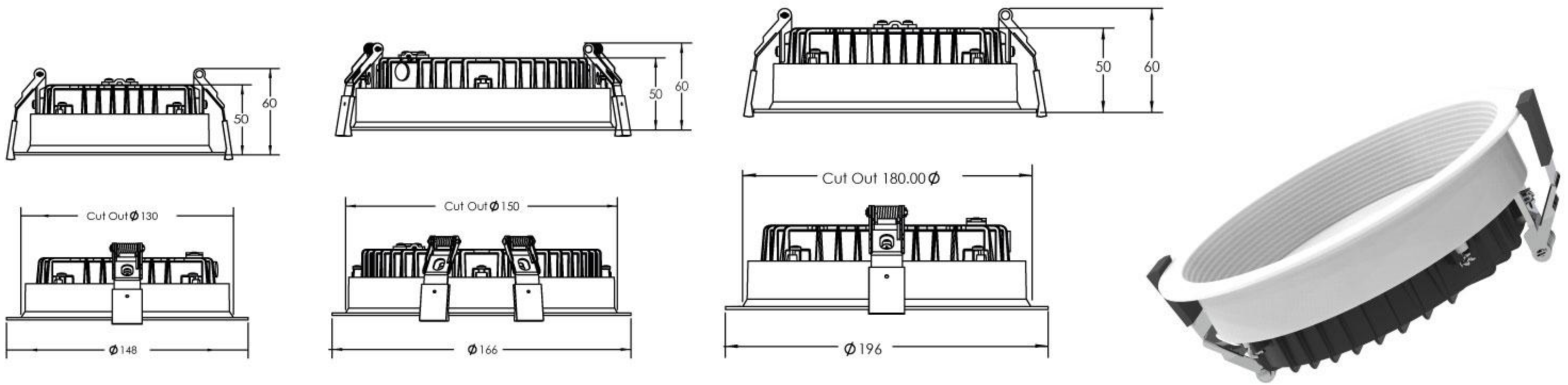
IP Rating : IP20

DRIVER OPTIONS



SPECIAL ADDITIONAL FEATURES





PRODUCT SPECIFICATIONS

Product Type : Recessed Deep Backlit Downlights

Diffuser : PMMA

Product Name : Deep Round Backlit Alpha

CRI : 80

Product Code : US-50-12W-18W-24W-RO-DBA

THD : <15

Wattage : 12W / 18W / 24W

Operating Temperature : -10°C to +60°C

CCT : 3000K / 4000K / 5000K

Material : Aluminium

Outer Body Color : White / Black

Beam Angle : 120°

Input Voltage : 185-265V

LED : SMD 2835

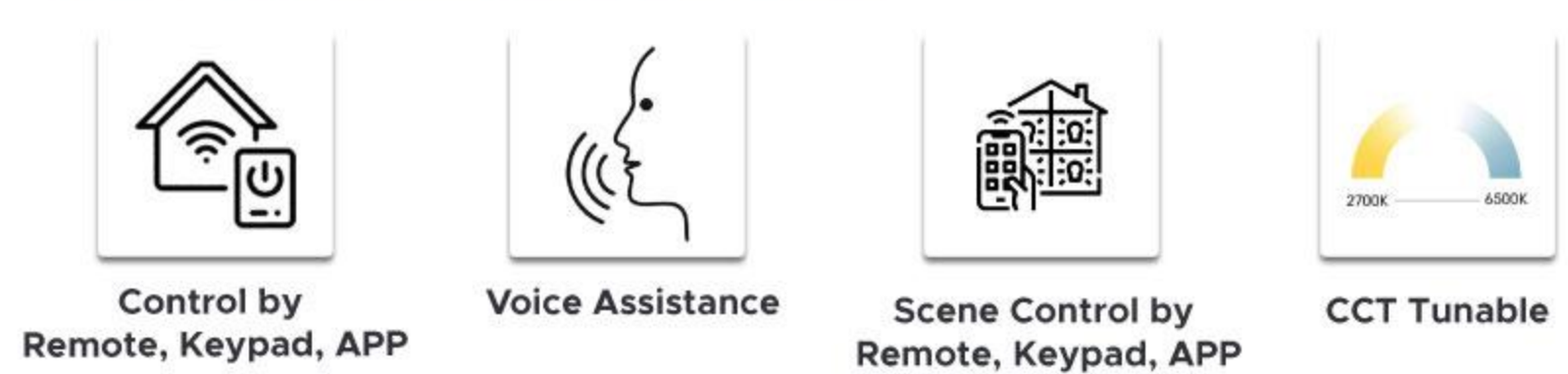
Lumens : 100LM/ Watt

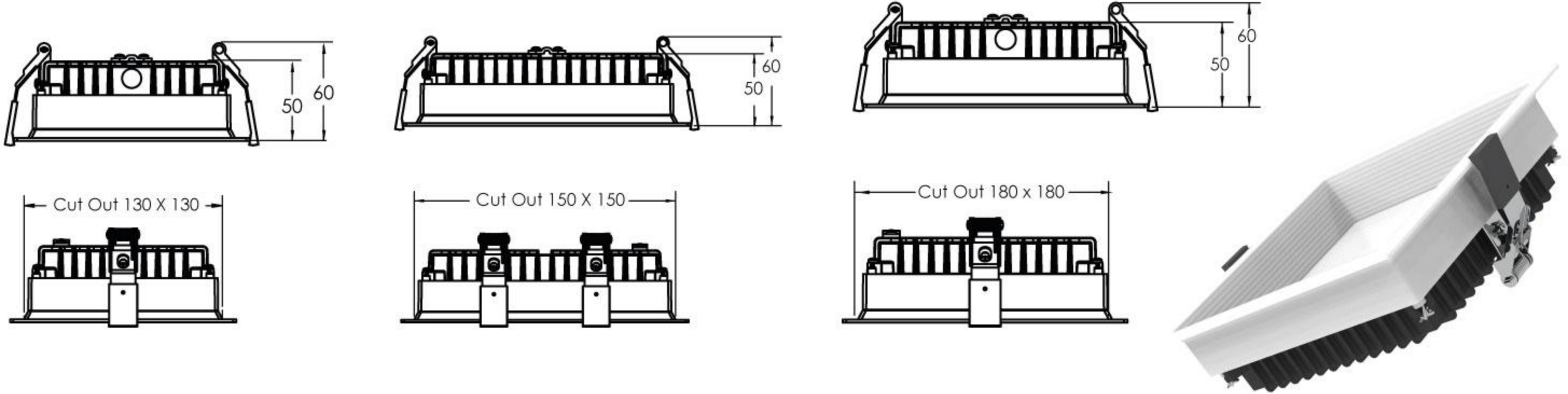
IP Rating : IP20

DRIVER OPTIONS



SPECIAL ADDITIONAL FEATURES





PRODUCT SPECIFICATIONS

Product Type : Recessed Deep Backlit Downlights

Diffuser : PMMA

Product Name : Deep Square Backlit Alpha

CRI : 80

Product Code : US-50-12W-18W-24W-SQ-DBA

THD : <15

Wattage : 12W / 18W / 24W

Operating Temperature : -10°C to +60°C

CCT : 3000K / 4000K / 6000K

Material : Aluminium

Outer Body Color : White / Black

Beam Angle : 120°

Input Voltage : 185-265V

LED : SMD 2835

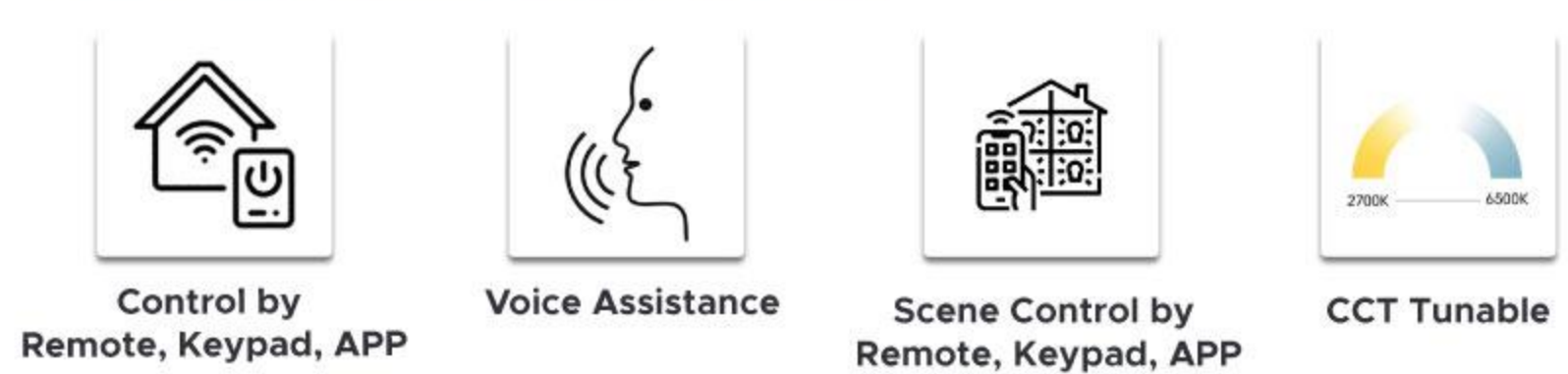
Lumens : 100LM/ Watt

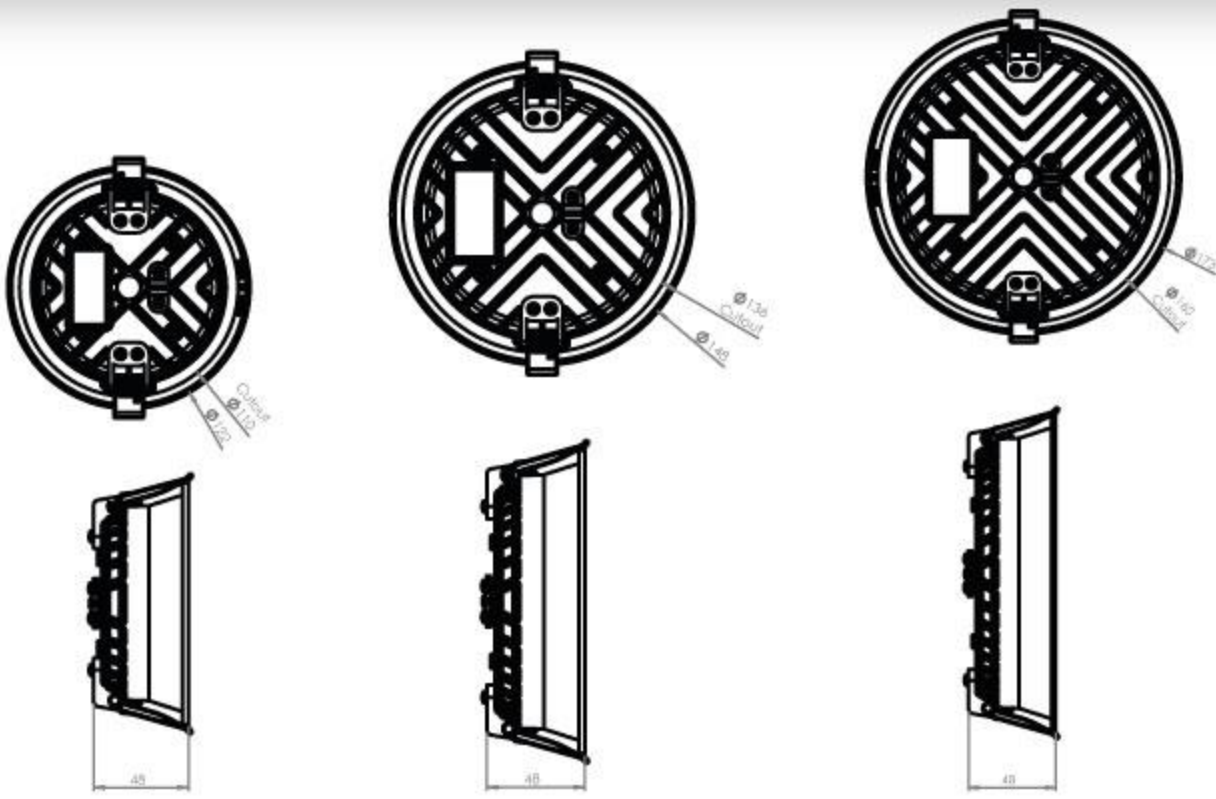
IP Rating : IP20

DRIVER OPTIONS



SPECIAL ADDITIONAL FEATURES





PRODUCT SPECIFICATIONS

Product Type : Recessed SMD Backlit Downlights

Diffuser : PMMA

Product Name : Deep Round Backlit Beta

CRI : 80

Product Code : US-100-06W-12W-18W-RO-DBB

THD : <15

Wattage : 6W / 12W / 18W

Operating Temperature : -10°C to +60°C

CCT : 3000K / 4000K / 6000K

Material : Aluminium

Outer Body Color : White / Black

Beam Angle : 120°

Input Voltage : 185-265V

LED : SMD 2835

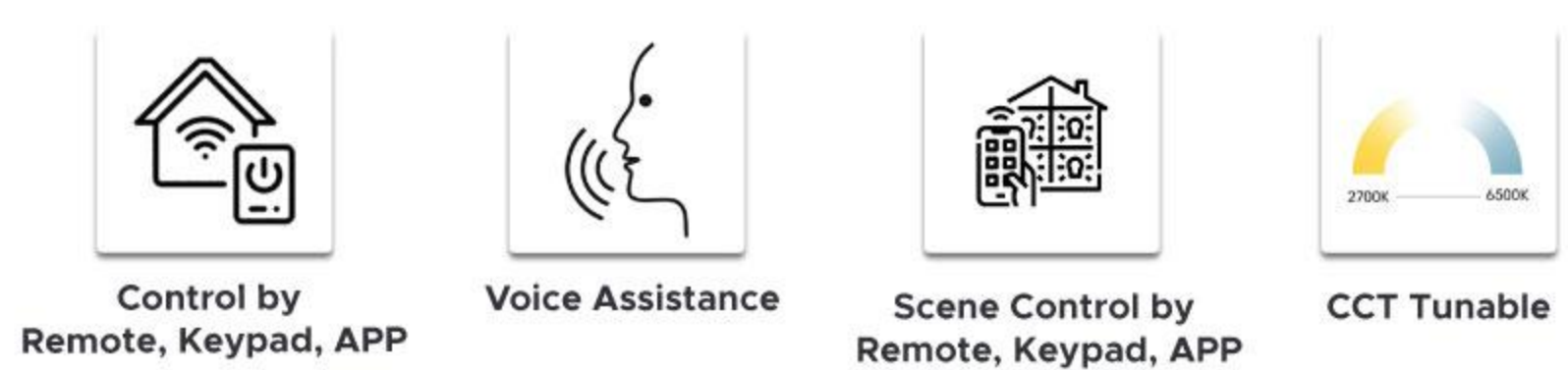
Lumens : 100LM/ Watt

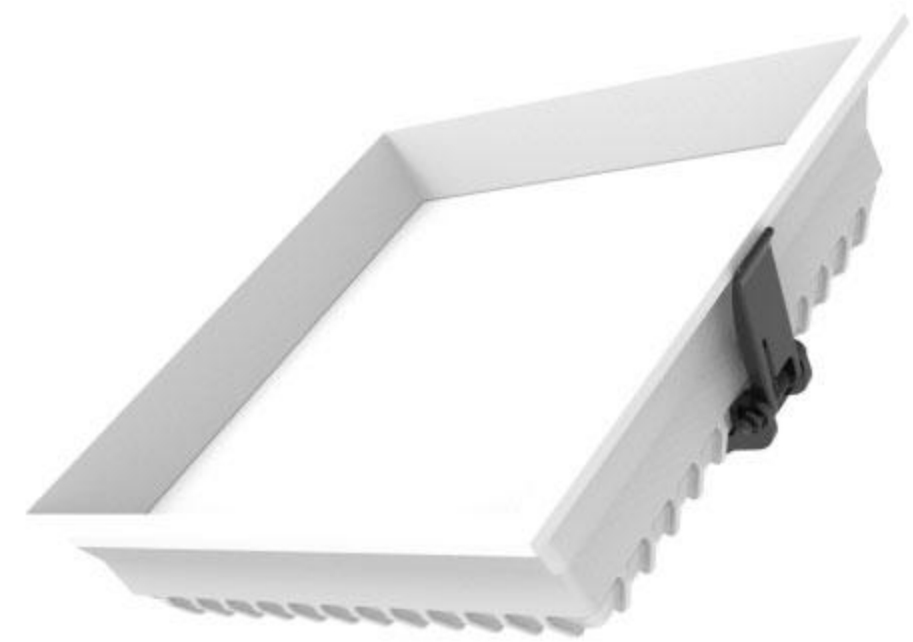
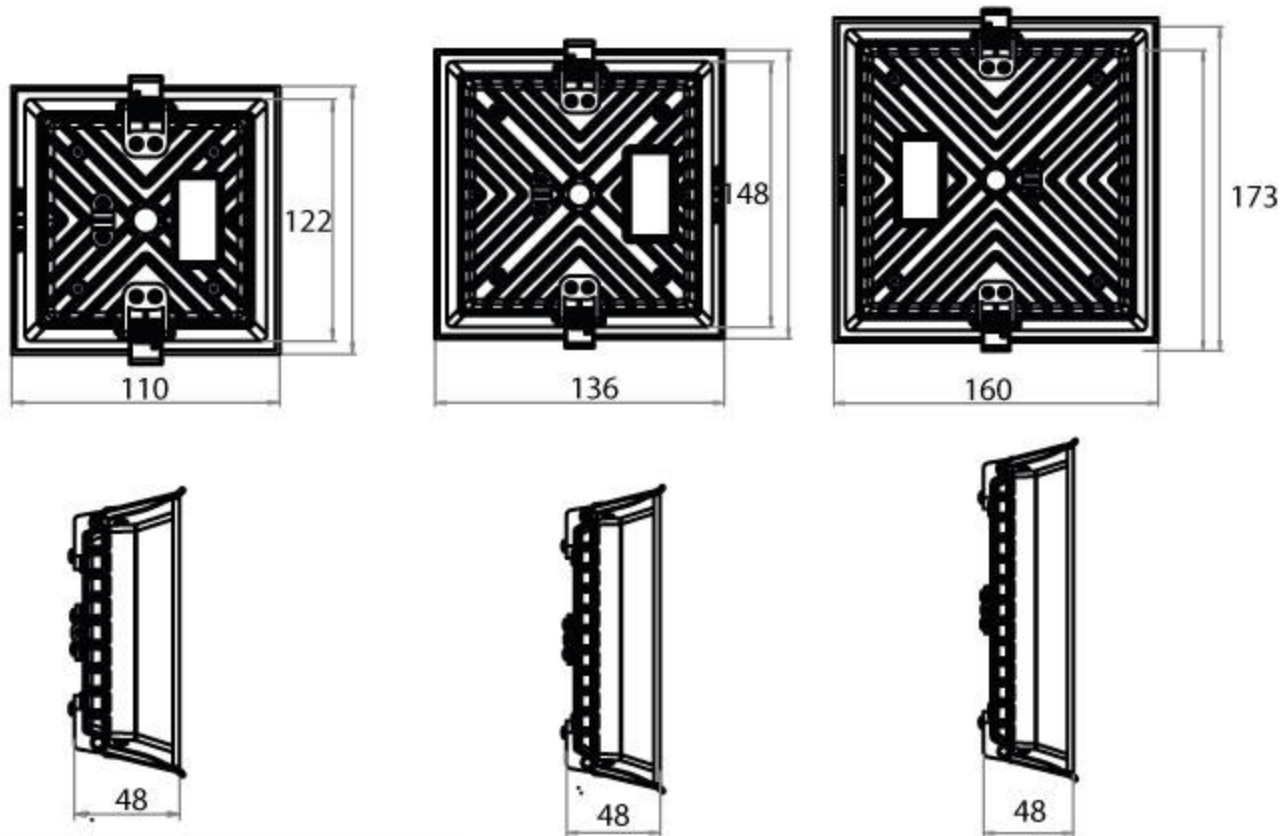
IP Rating : IP20

DRIVER OPTIONS



SPECIAL ADDITIONAL FEATURES





PRODUCT SPECIFICATIONS

Product Type : Recessed Downlights

Diffuser : PMMA

Product Name : Deep Square Backlit Beta

CRI : 80

Product Code : US-100-06W-12W-18W SQ-DBB

THD : <15

Wattage : 6W / 12W / 18W

Operating Temperature : -10°C to +60°C

CCT : 3000K / 4000K

Material : Aluminium

Outer Body Color : White / Black

Beam Angle : 120°

Input Voltage : 185-265V

LED : SMD 2835

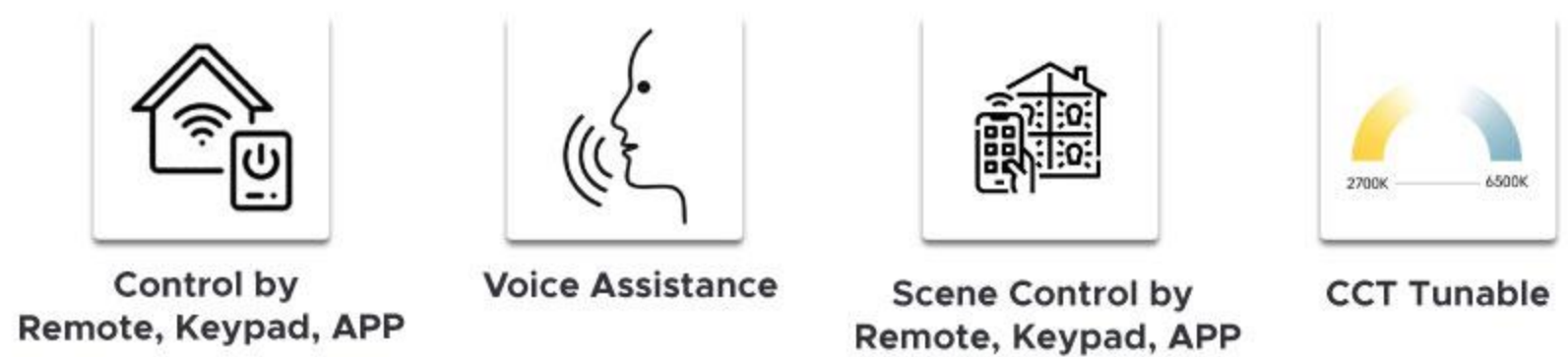
Lumens : 100LM/ Watt

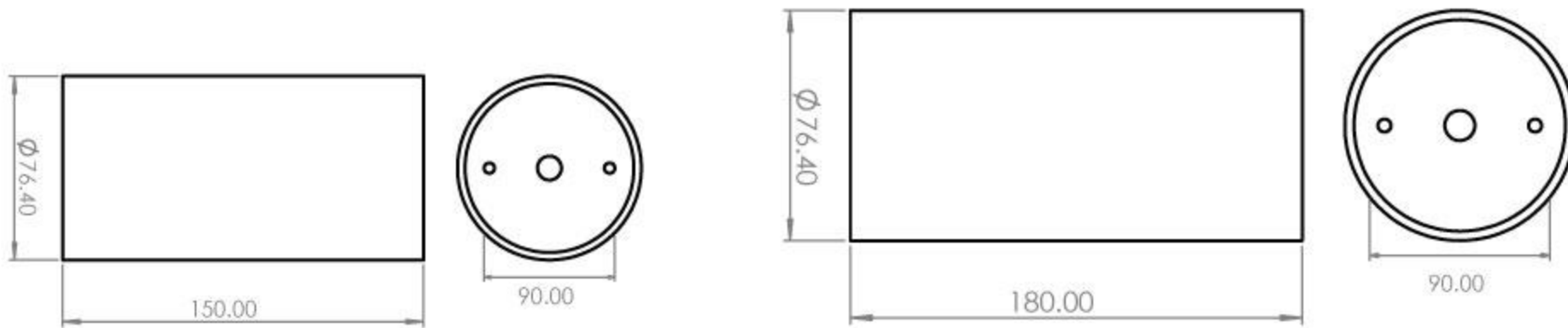
IP Rating : IP20

DRIVER OPTIONS



SPECIAL ADDITIONAL FEATURES





PRODUCT SPECIFICATIONS

Product Type : Surface Cylinder Light

Inner Color: White / Black

Product Name : Surface Cylinder K_V

CRI : 80

Product Code : US-60-24W-30W-SUR-CYL-K_V

THD : <15

Wattage : 24W / 30W

Operating Temperature : -10°C to +60°C

CCT : 3000K / 4000K / 6000K

Material : Aluminium

Outer Body Color : White / Black

Beam Angle : 38°

Input Voltage : 185-265V

LED : CREE / Bridgelux

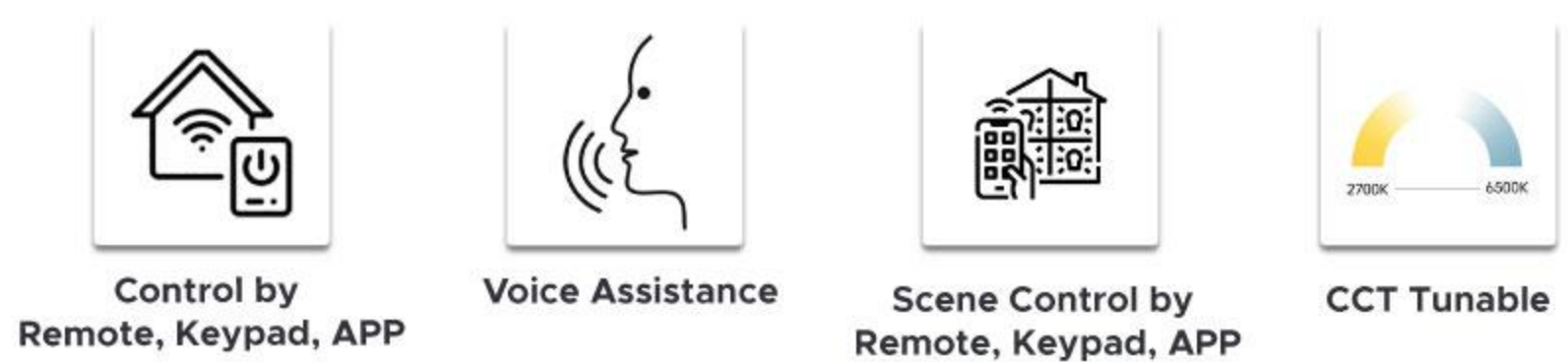
Lumens : 100LM/ Watt

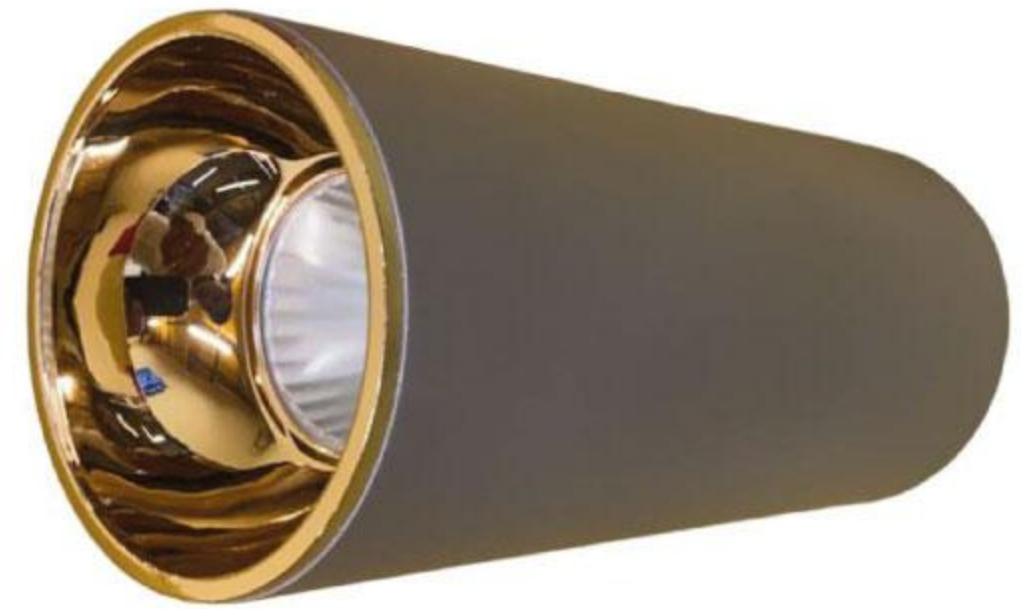
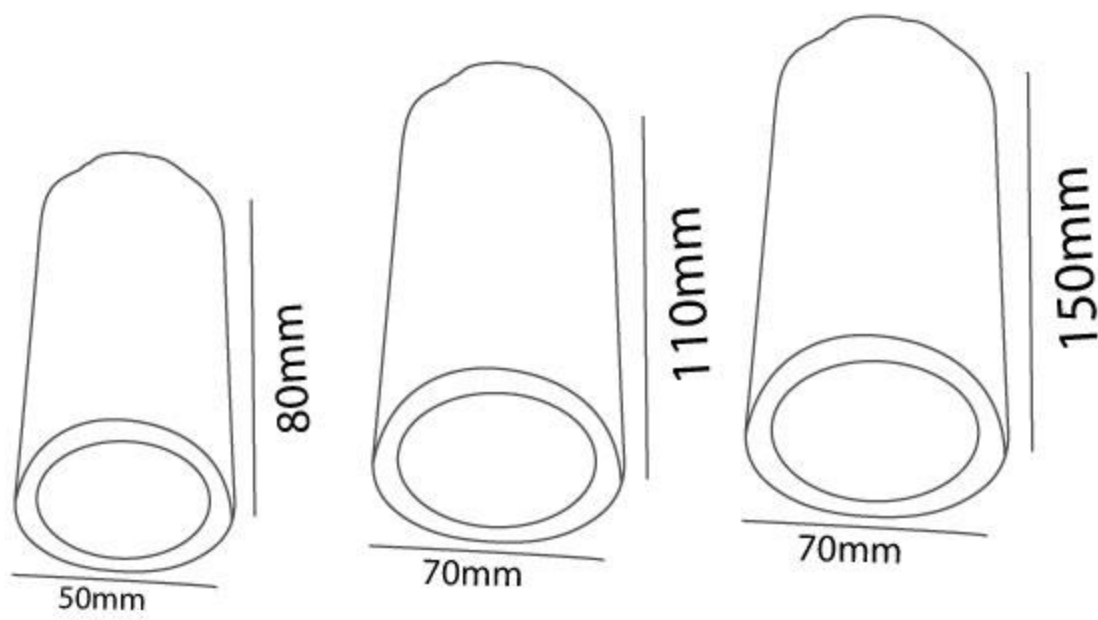
IP Rating: IP20

DRIVER OPTIONS



SPECIAL ADDITIONAL FEATURES





PRODUCT SPECIFICATIONS

Product Type : Surface Cylindrical Downlights

Reflector : Rose Gold / Shining Black / White & Chrome

Product Name : Surface Chrome

CRI : 80

Product Code : US-60-7W-12W-15_24W-SC

THD : <15

Wattage : 7W / 12W / 15-24W

Operating Temperature : -10°C to +60°C

CCT : 3000K / 4000K / 6000K

Material : Aluminium

Outer Body Color : White / Black

Beam Angle : 38°

Input Voltage : 185-265V

LED : CREE / Bridgelux

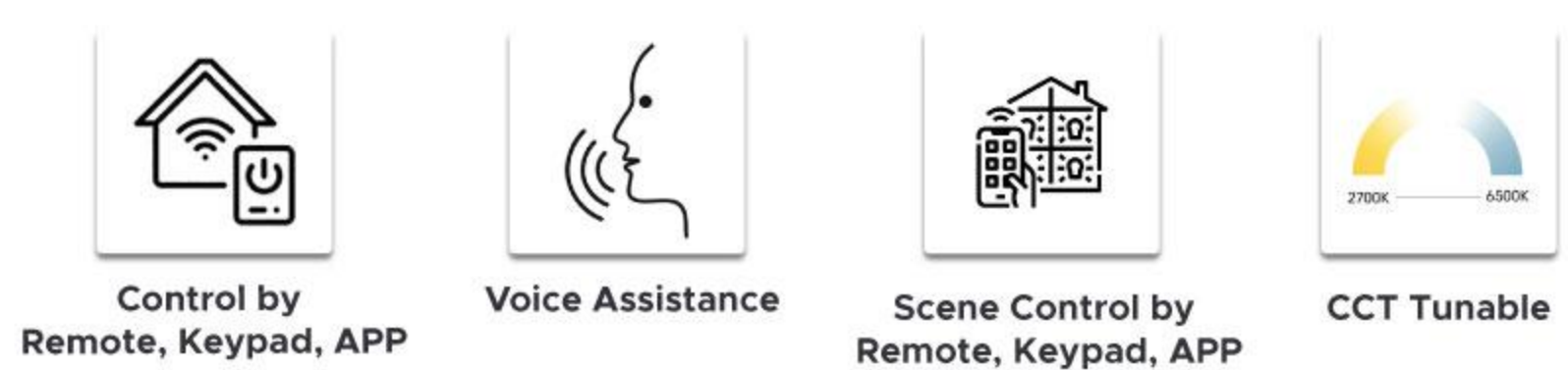
Lumens : 100LM/ Watt

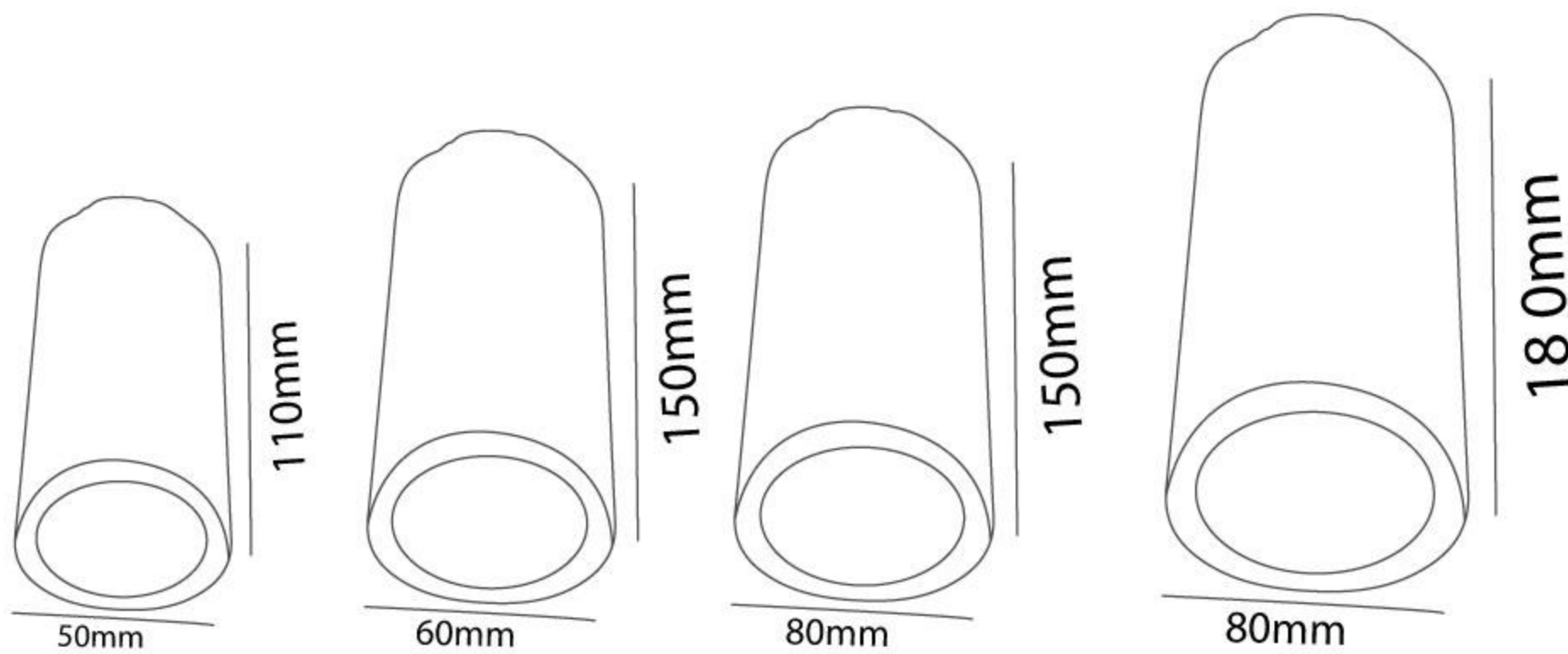
IP Rating : IP20

DRIVER OPTIONS



SPECIAL ADDITIONAL FEATURES





PRODUCT SPECIFICATIONS

Product Type : Surface Cylindrical Downlights

Inner Color : White / Black

Product Name : Surface Flow

CRI : 80

Product Code : US-60 10W-12_18W-20_24W-25_30W-SF

THD : <15

Wattage : 10W / 12-18W / 20-24W / 25-30W

Operating Temperature : -10°C to +60°C

CCT : 3000K / 4000K / 6000K

Material : Aluminium

Outer Body Color : White / Black

Beam Angle : 38°

Input Voltage : 185-265V

LED : CREE / Bridgelux

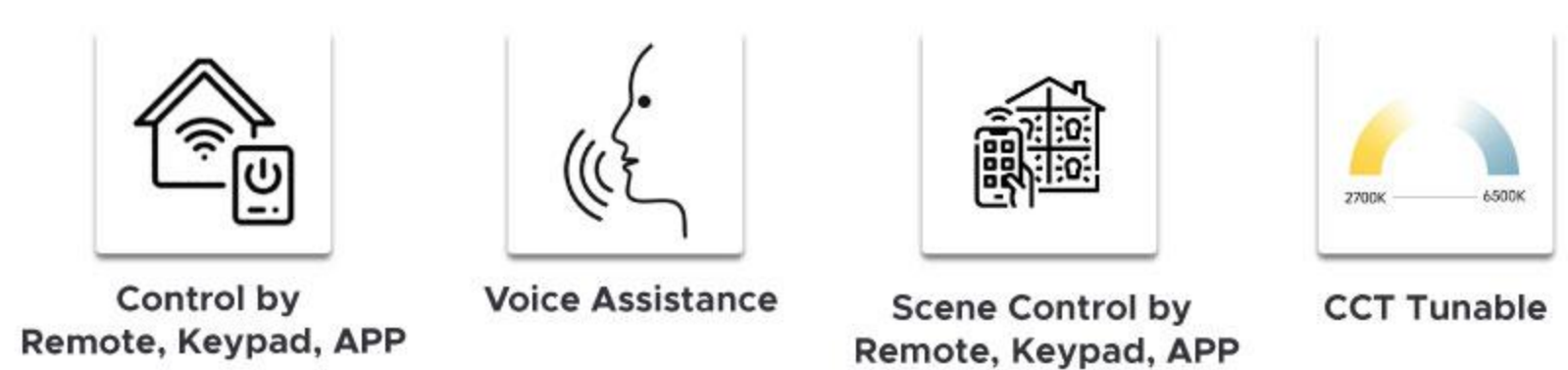
Lumens : 100LM/ Watt

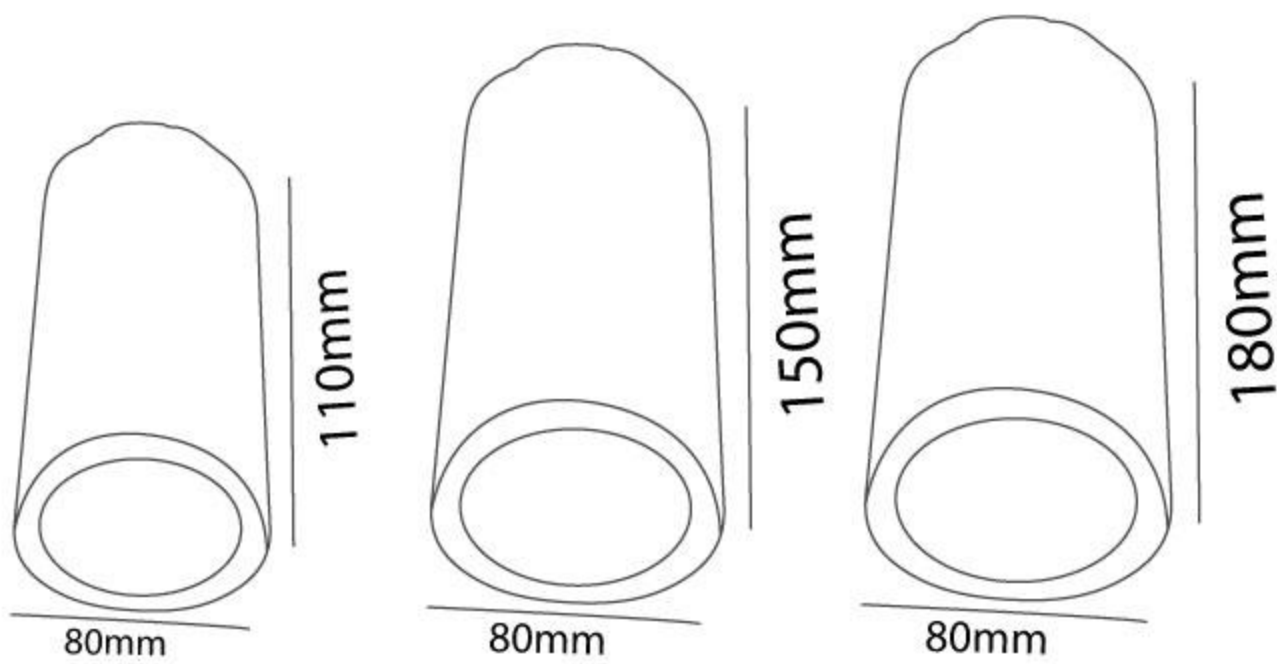
IP Rating: IP20

DRIVER OPTIONS



SPECIAL ADDITIONAL FEATURES





PRODUCT SPECIFICATIONS

Product Type : Surface Cylindrical Downlights

Inner Color : White / Black

Product Name : Surface Frame

CRI : 80

Product Code : US-60 7W-12W-18W-SFRAME

THD : <15

Wattage : 7W / 12W / 18W

Operating Temperature : -10°C to +60°C

CCT : 3000K / 4000K / 6000K

Material : Aluminium

Outer Body Color : White / Black

Beam Angle : 38°

Input Voltage : 185-265V

LED : CREE / Bridgelux

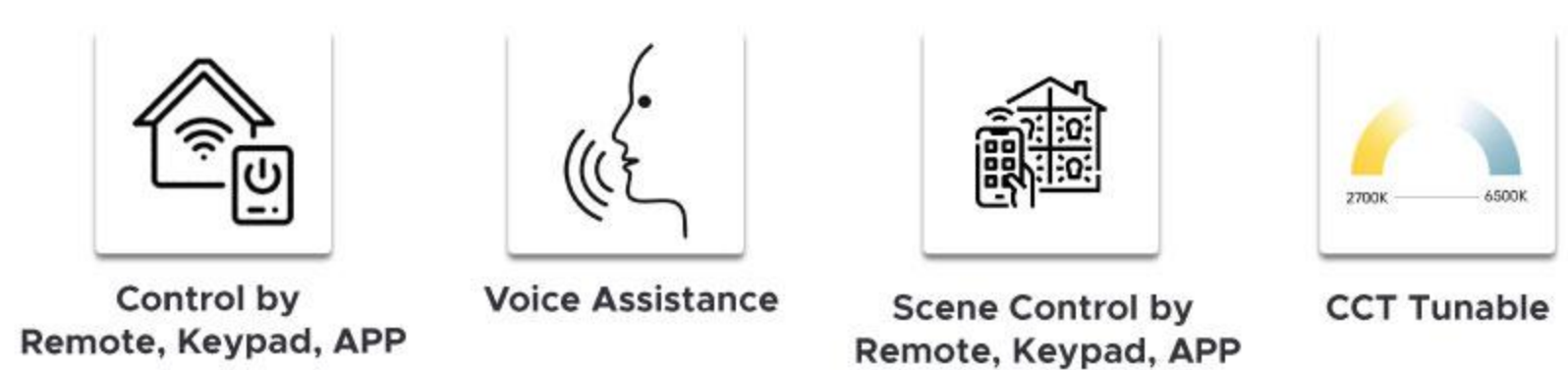
Lumens : 100LM/ Watt

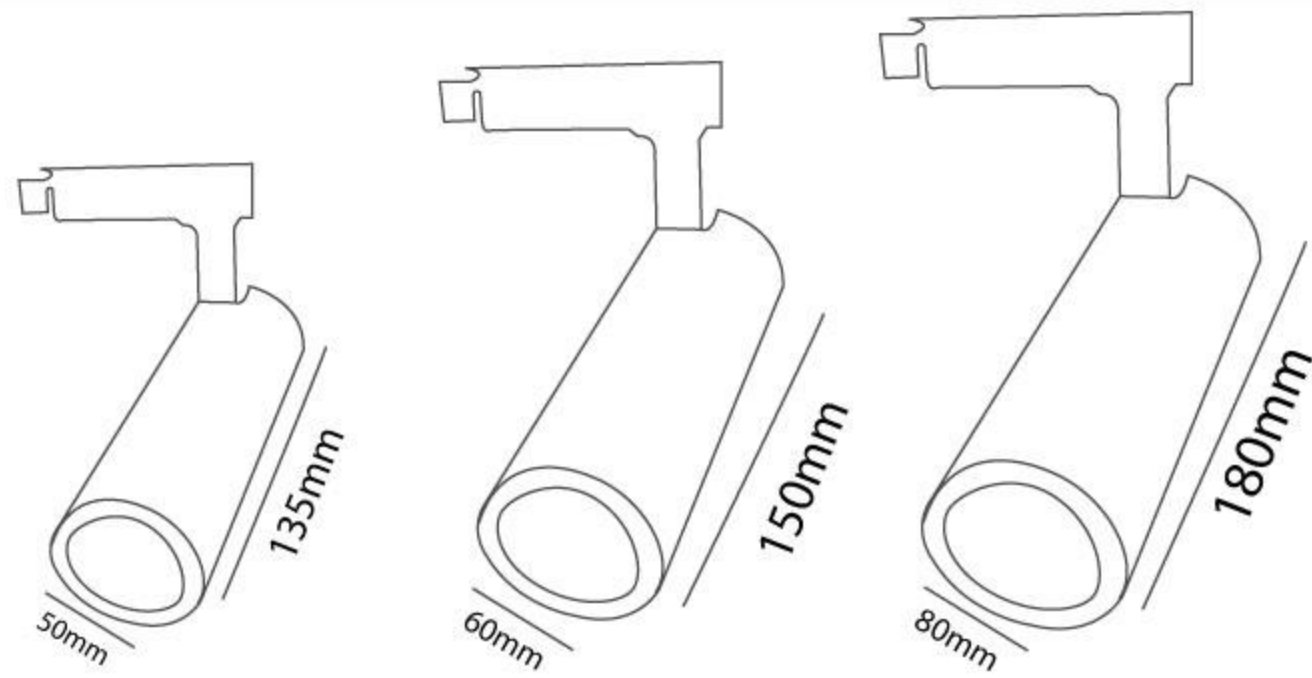
IP Rating: IP20

DRIVER OPTIONS



SPECIAL ADDITIONAL FEATURES





PRODUCT SPECIFICATIONS

Product Type : Track Light

Inner Color : Black / White

Product Name : Track Beta

CRI : >80

Product Code : US-TRK-100-10W-18W-30W-TB

THD : <15

Wattage : 10W / 18W / 30W

Operating Temperature : -10°C to +60°C

CCT : 3000K / 4000K / 6000K

Material : Aluminium

Outer Body Color : Black / White

Beam Angle : 38°

Input Voltage : 185-265V

LED : CREE / Bridgelux

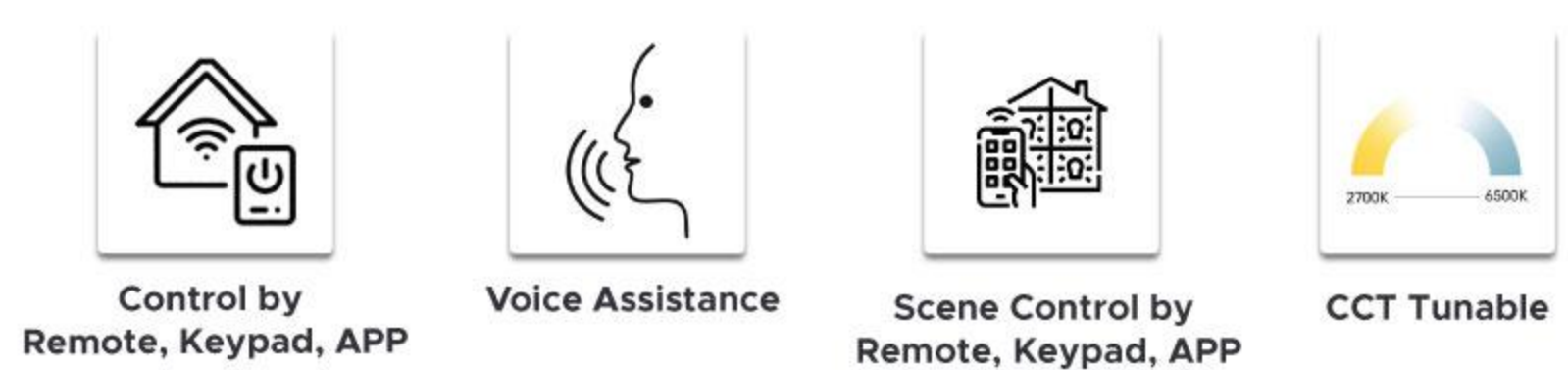
Lumens : 100LM/ Watt

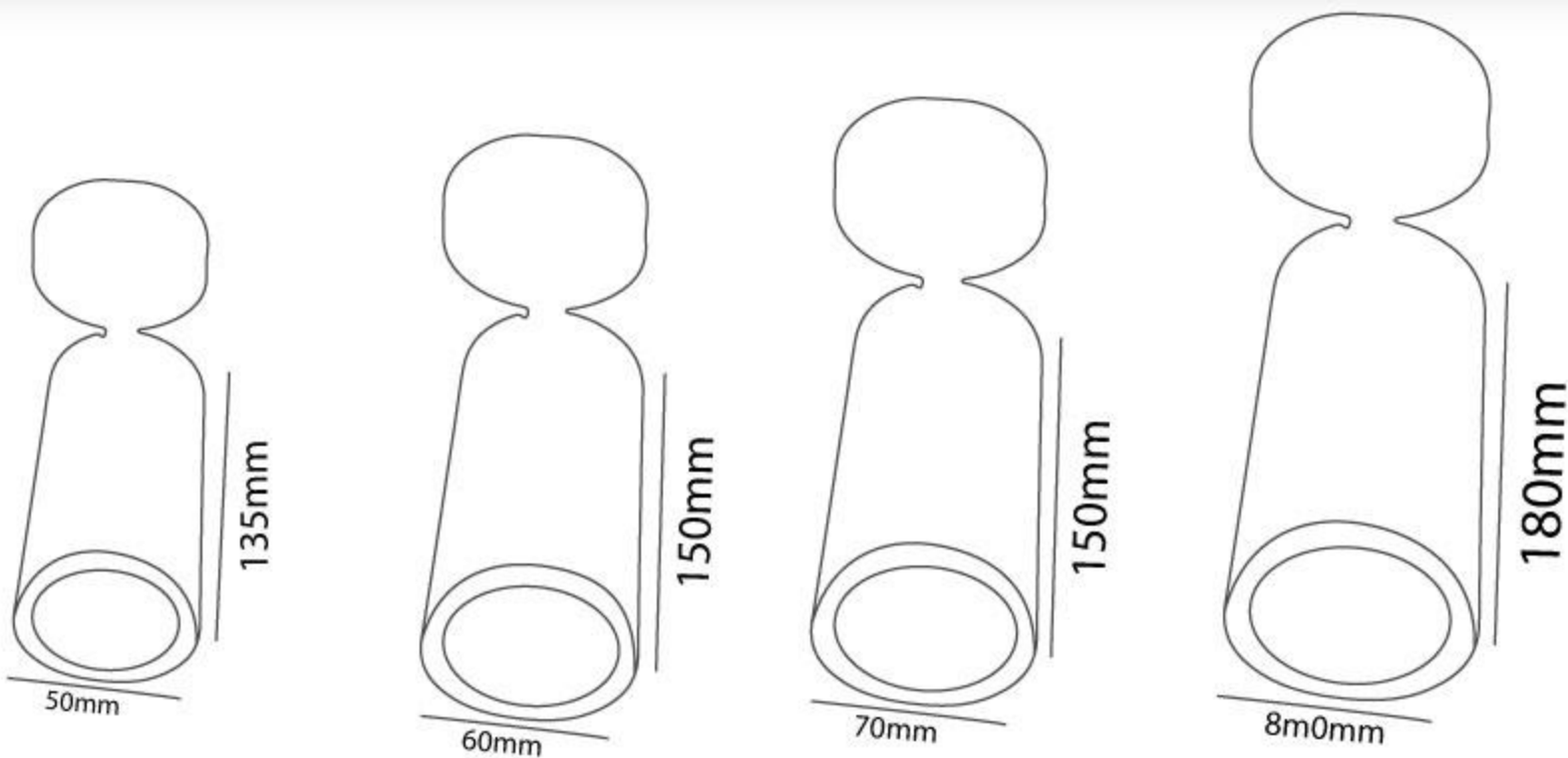
IP Rating : IP20

DRIVER OPTIONS



SPECIAL ADDITIONAL FEATURES





PRODUCT SPECIFICATIONS

Product Type : Surface Track Light

Inner Color: White / Black

Product Name : Surface Track Beta

CRI : 80

Product Code : US-100-10W_18W_15-24W_30W-STB

THD : <15

Wattage : 10W / 18W / 15-24W / 30W

Operating Temperature : -10°C to +60°C

CCT : 3000K / 4000K / 6000K

Material : Aluminium

Outer Body Color : White / Black

Beam Angle : 38°

Input Voltage : 185-265V

LED : CREE / Bridgelux

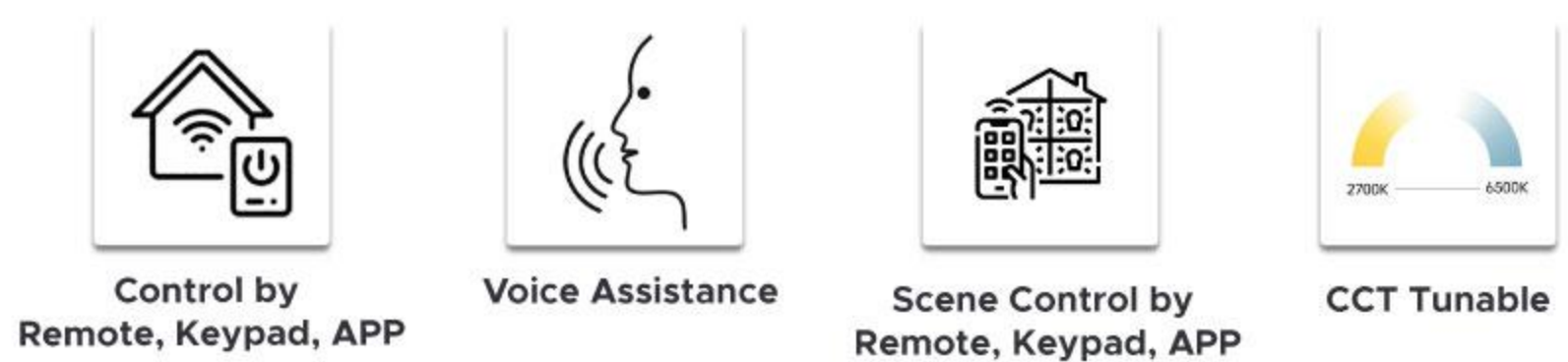
Lumens : 100LM/ Watt

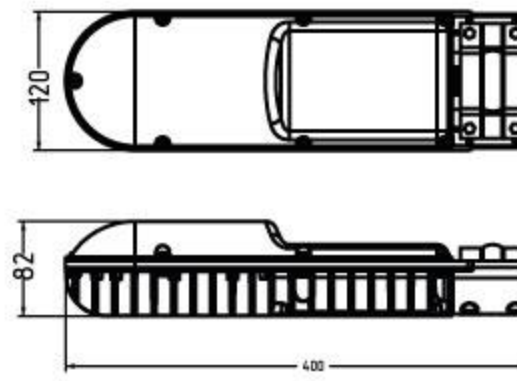
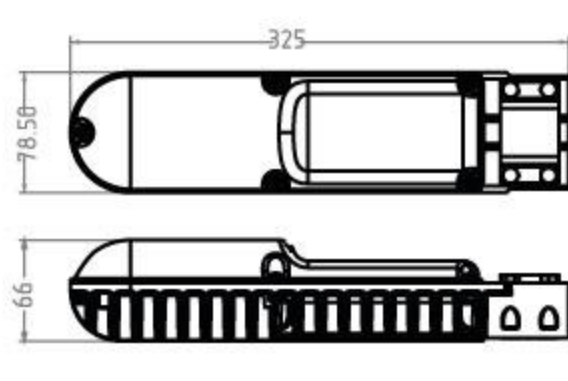
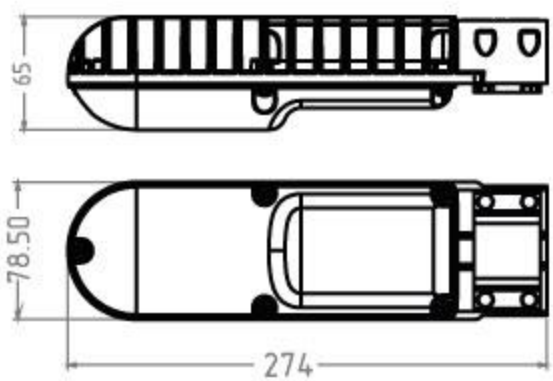
IP Rating : IP20

DRIVER OPTIONS



SPECIAL ADDITIONAL FEATURES





PRODUCT SPECIFICATIONS

Product Type : Street Light

Product Name : Boat Street Light

Product Code : US-40-20W-30W-40_60W-BOAT

Wattage : 20W / 30W / 40-60W

CCT : 3000K / 4000K / 6000K

Outer Body Color : Black

Input Voltage : 185-265V

Lumens : 100LM/ Watt

Cover : Tempered Glass Cover

CRI : 80

THD : <15

Operating Temperature : -10°C to +60°C

Material : Aluminium

Beam Angle : 120°

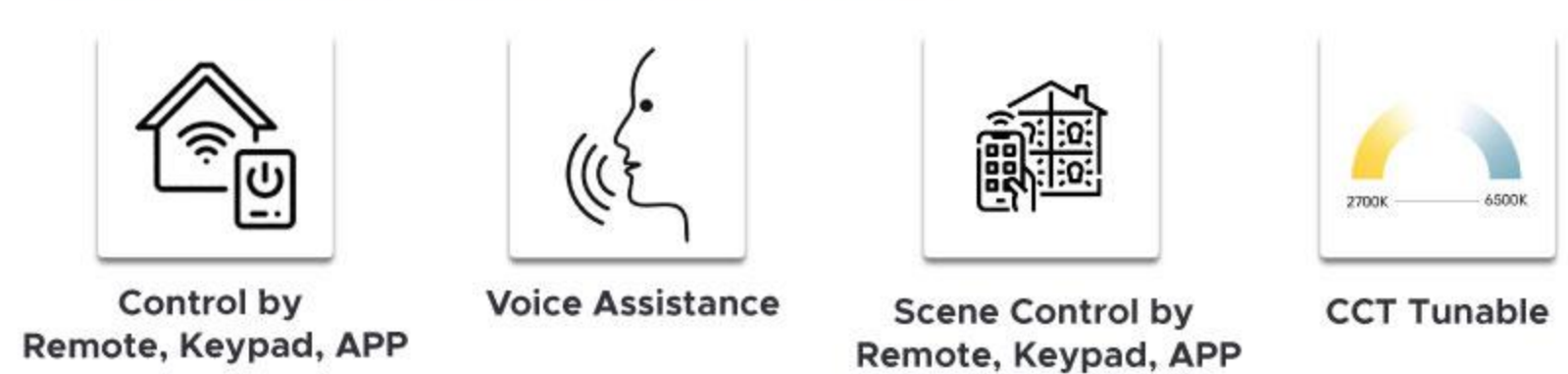
LED : CREE / Bridgelux

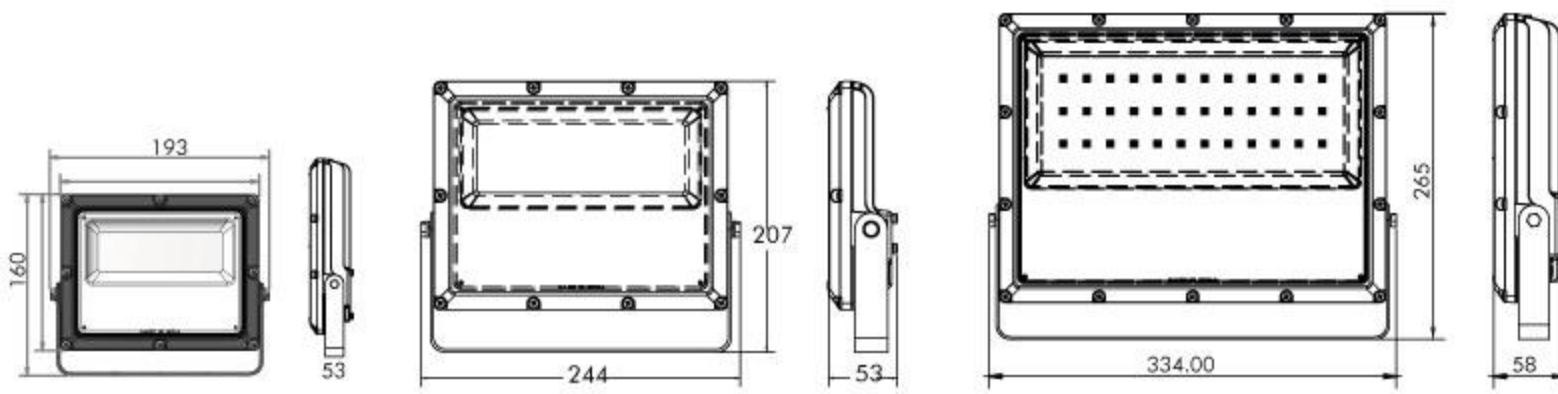
IP Rating: IP65

DRIVER OPTIONS



SPECIAL ADDITIONAL FEATURES





PRODUCT SPECIFICATIONS

Product Type : Flood Light

Product Name : Slim Flood Light

Product Code : US-100-30W-50W-100_150W-SFL

Wattage : 30W / 50W / 100- 150W

CCT : 3000K / 4000K / 6000K

Outer Body Color : Black

Input Voltage : 185-265V

Lumens : 100LM/ Watt

Cover : Tempered Glass Cover

CRI : 80

THD : <15

Operating Temperature : -10°C to +60°C

Material : Aluminium

Beam Angle : 120°

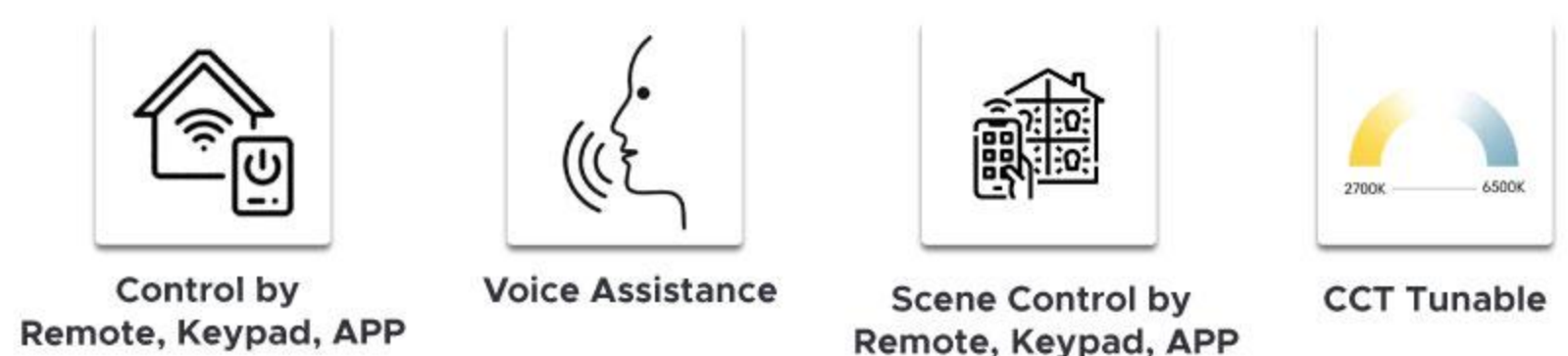
LED : 3030 SMD

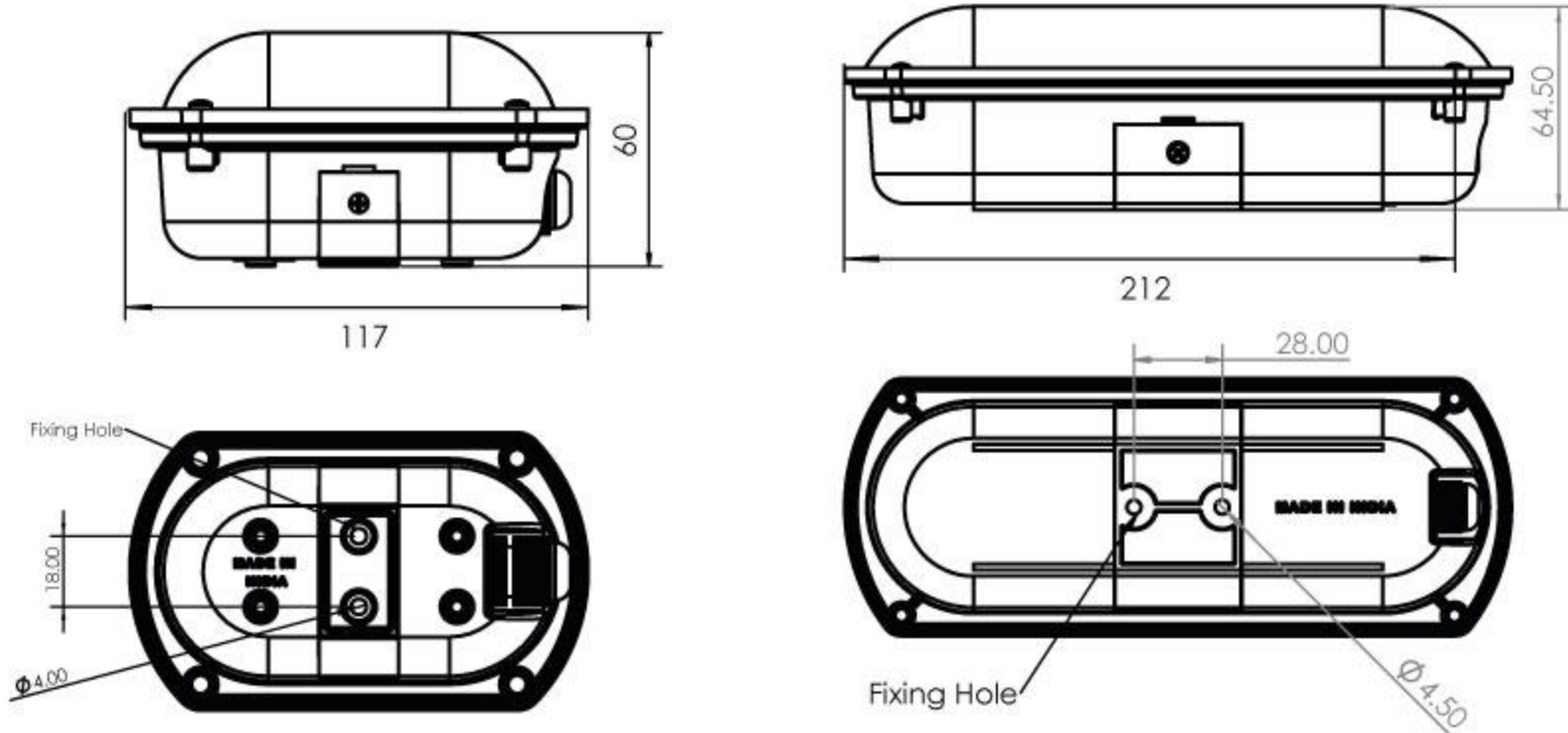
IP Rating: IP65

DRIVER OPTIONS



SPECIAL ADDITIONAL FEATURES





PRODUCT SPECIFICATIONS

Product Type : Outdoor Wall Light

Product Name : Bulk Head

Product Code : US-10-4W-8W-BK

Wattage : 04W / 08W

CCT : 3000K / 4000K / 5000K

Outer Body Color : White / Black

Input Voltage : 185-265V

Lumens : 100LM/ Watt

Optical Cover : Polycarbonate

CRI : 80

THD : <15

Operating Temperature : -10°C to +60°C

Material : Aluminium

Beam Angle : 120°

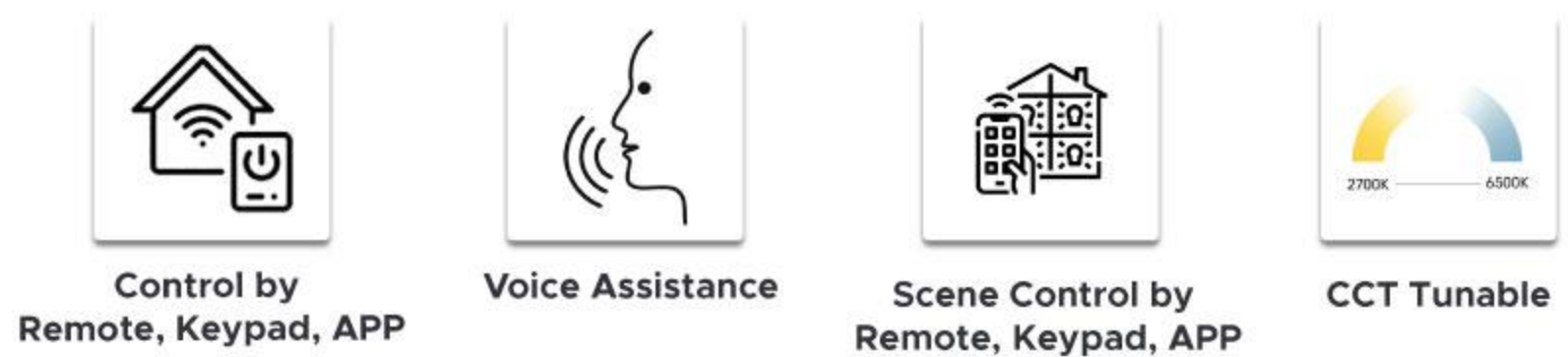
LED : 2835 SMD

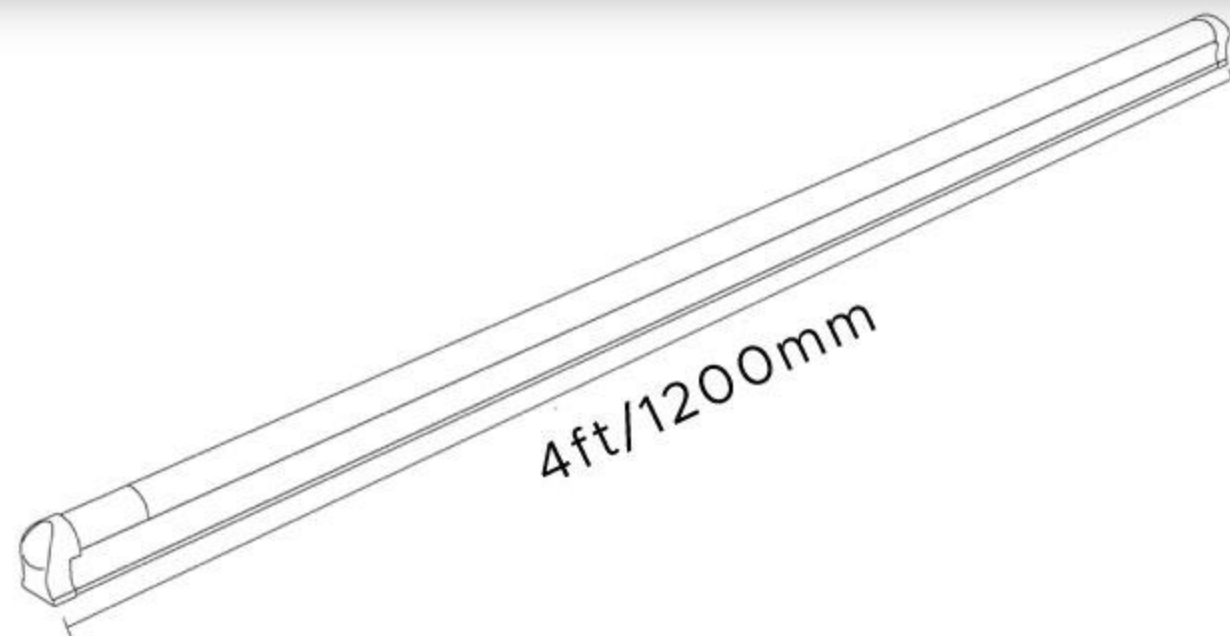
IP Rating: IP54

DRIVER OPTIONS



SPECIAL ADDITIONAL FEATURES





PRODUCT SPECIFICATIONS

Product Type : LED Tubelight

Product Name : Batten Tubelight

Product Code : US-10-18W-36W-BT

Wattage : 18W / 36W

CCT : 3000K / 4000K

Outer Body Color : White

Input Voltage : 185-265V

Lumens : 100LM/ Watt

Optical Cover : Polycarbonate

CRI : 80

THD : <15

Operating Temperature : -10°C to +60°C

Material : Aluminium

Beam Angle : 160°

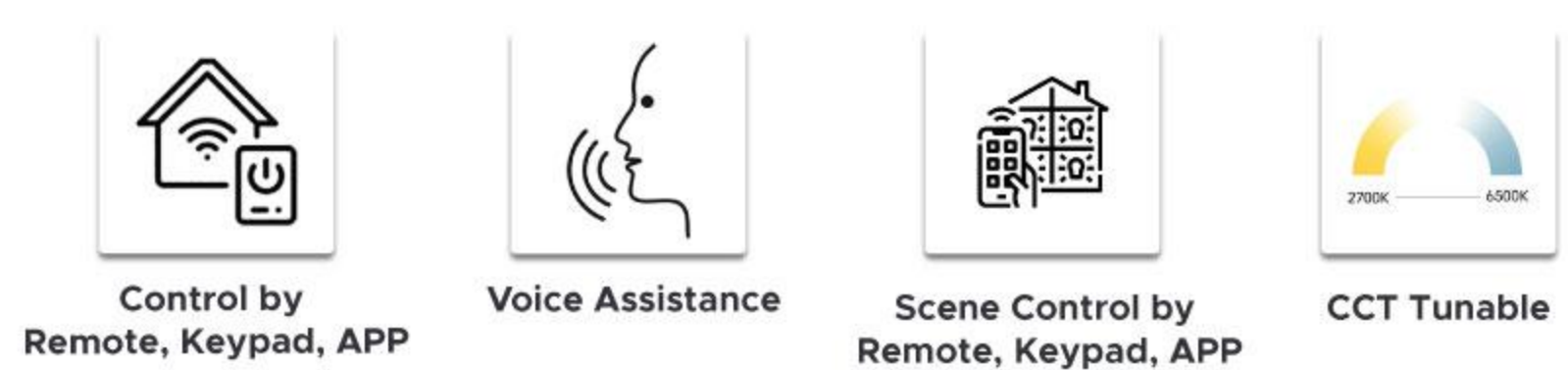
LED : SMD

IP Rating: IP20

DRIVER OPTIONS



SPECIAL ADDITIONAL FEATURES





THINK LED, THINK UNISER
UNISER
INDUSTRIES PVT. LTD.

Solar Power | LED Lighting | Automation

To place your order, please contact



HELPDESK DETAILS:

414, Lotus House, 33-A, V Thackersey Marg, New Marine Lines,
Mumbai-400020, India

+91-22-22000515 | 35114465 +91 9867625686

sales@uniserledlights.com | www.uniserledlights.com