

# LED smart ambient lighting

( 1 band 2 )

## RGB+CCT IR Digital music sync LED ambient light bar



Dream color



Music sync



APP control



Remote control



Change colors



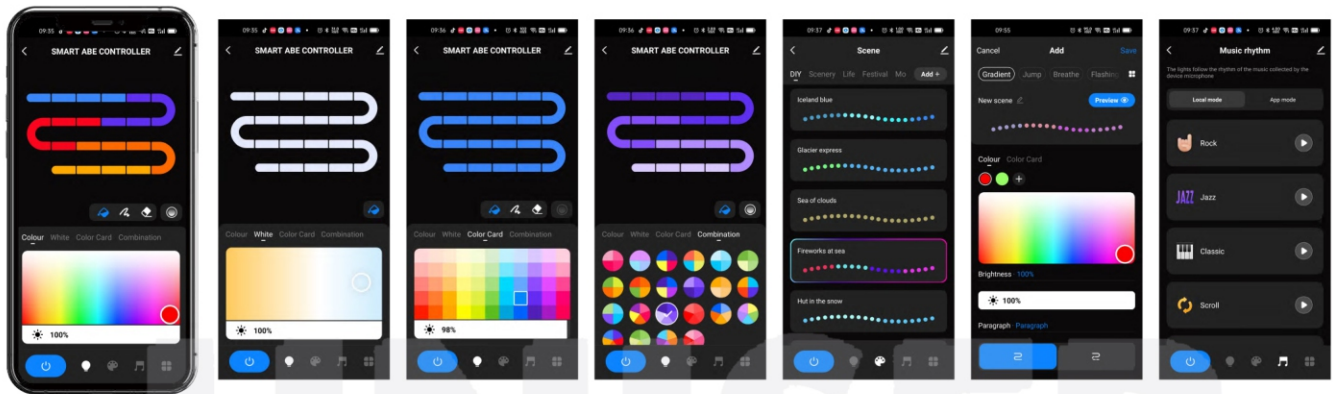
Voice control



- This product adopt TUYA IR+Wi-Fi & BLE(BK chip set) solution, you can control it through multiple ways include APP and IR remote control.
- One control drive two LED ambient lamps.
- Various APP functions available include: timer, color changing and adjustment, group control, account share etc. It could be remote control once it was connected to internet successfully.
- Elegant design, quality material, soft and even light distribution.
- Music mode: unique external music solution that embedded a voice sensor, the light will sync with the surrounding music.
- RGB+CCT dream color, 16 million colors for options.

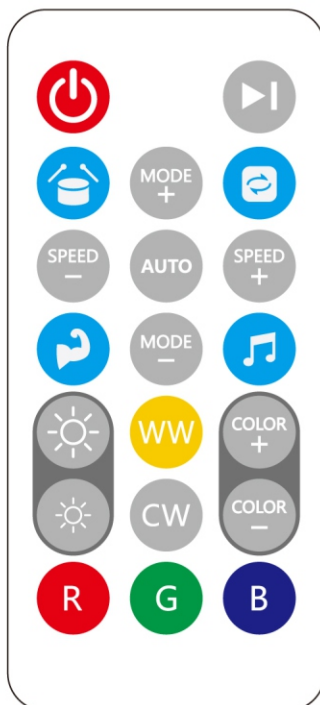


## APP function



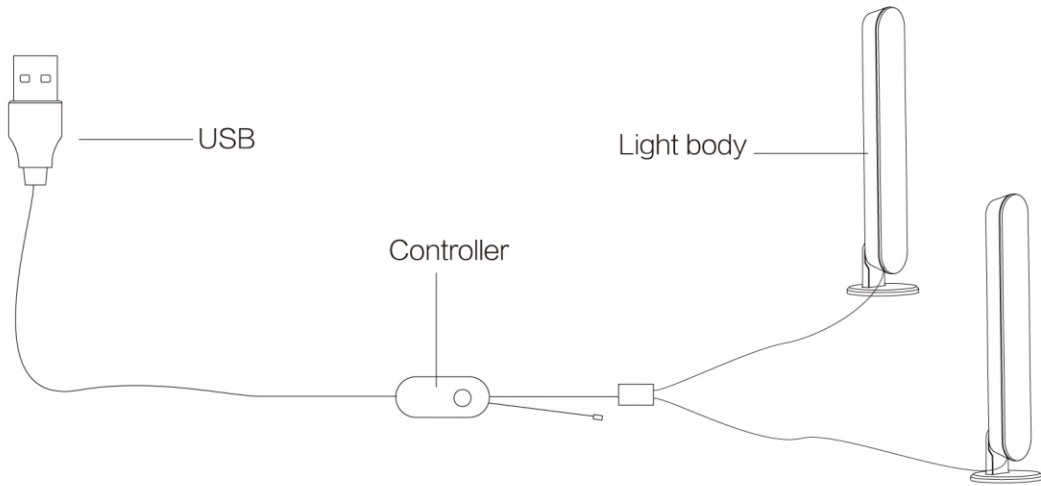
## Remote control function

Button cell battery power supply, 3V working voltage. Control distance: 5-8 meters in open area. 20-keys IR remote can realize various dream color lighting effects and various music modes.



Features	Action	Remote control buttons
Turn on/off	Press	
Music mode pause/start	Press	
Speed/sensitivity	Press	
Dynamic mode switching	Press	
Music mode	Press	
Automatic mode	Press	
Brightness adjustment	Press	
Static color switching	Press	
Warm White	Press	
Cool white	Press	
R G B	Press	

## Product size chart



## Installation diagram

Solution 1: Vertical type



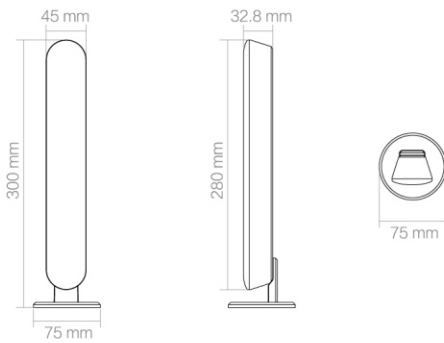
Solution 2: Horizontal



Solution 3: Adhesive



## Product size chart



### Attention

1. Make sure WIFI signal stable and running at 2.4G Hz of frequency. If the lights not react to the operation, it might be caused by the unstable WIFI signal. Please wait and operate again after the WIFI signal become normal.
2. Please connect the bar atmosphere lamp to the APP for control through WIFI according to the instruction.

## Product parameters

## Product parameters

Mode	FWWSA1-1502
Colour	RGBIC+CCT
Voltage	DC5V
Current	1000mA
Power	Max.2*2.5W
Connection	APP +IR Control
IP rating	IP40
Working temp	-20°C-45°C
Dimension	W75*L32.8*H300
Sorting interface	V+DIN V-WW CW

## Packing list

- ⊙ Lights × 2
- ⊙ IR remote × 1
- ⊙ 6 Angle wrench × 1
- ⊙ 3M Gums × 5
- ⊙ Screws × 2
- ⊙ Cable Clips × 2
- ⊙ Bases × 2
- ⊙ Instructions × 1

## Packing info.

- ⊙ Inner box dimension: 155X60X310mm
- ⊙ Qty/set: 2PCS
- ⊙ Master carton dimension: 490X325X500mm
- ⊙ Qty/ctn: 24PCS
- ⊙ G.W/ctn: 11.4KG