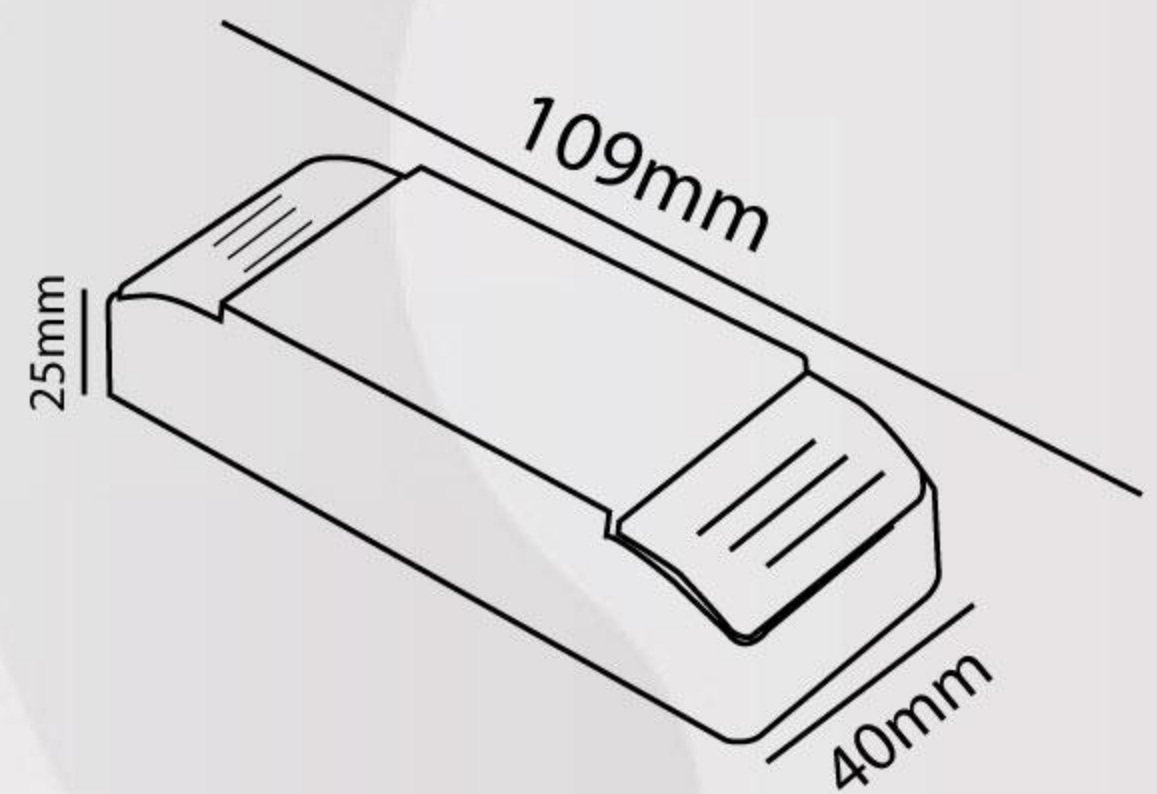


UNISER

SMART DRIVERS AND CONTROLLER



PRODUCT SPECIFICATIONS

Product Type : Zigbee Strip Controller

Product Name : Strip Controller

Product Code : UHLF-STRIP-CONTROLLER-PC

Wattage : 12V-120W, 24V-240W

Input Voltage : 12V-24V

Output Voltage : 12V-24V

Dimming : 10 Steps Dimming

Signal Transmission : 30M

Material : PC

IP Rating : IP20

Protocol : 2.4G / Bluetooth + 2.4G/ Zigbee

Type : RGB CCT/ CCT/ Only Dimmable

