



UNISER

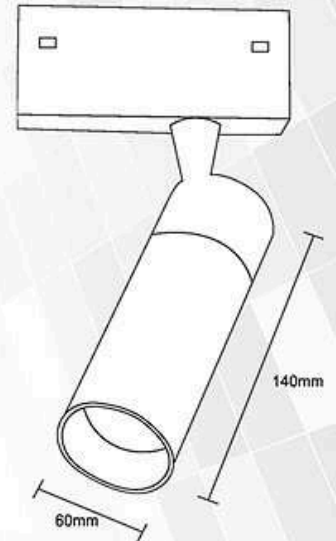
INDUSTRIES PVT. LTD.

SMART MAGNETO SERIES

PRODUCT OVERVIEW TECHNICAL DOCUMENT
EDITION MARCH 2021

UNISER

Track Series



SMART MAGNETO

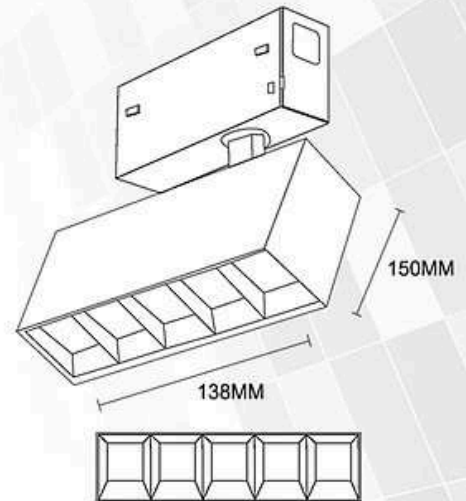
Model	Wattage	CCT	Dimmable	UGR	Beam Angle	CRI	Material
UHLS-MT 0873	8W	2700K TO 6000K	0 TO 100%	<17	38°	80	ALUMINIUM

UNISER

Track Series



SMART MAGNETO



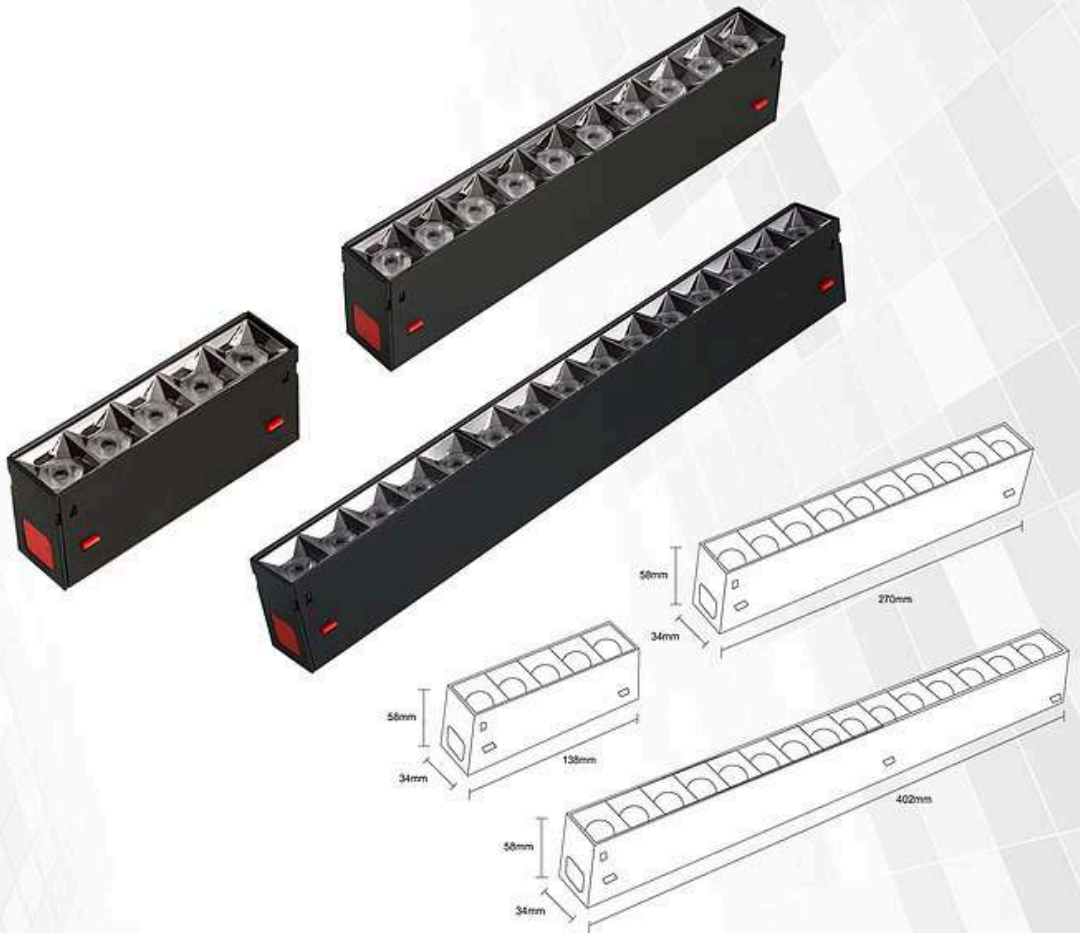
Model	Wattage	CCT	Dimmable	UGR	Beam Angle	CRI	Material
UHLS-MT 0874	8W	2700K TO 6000K	0 TO 100%	<17	38°	80	ALUMINIUM

UNISER

Track Series



SMART MAGNETO



Model	Wattage	CCT	Dimmable	UGR	Beam Angle	CRI	Material
UHLS-MT 0875	8W	2700K TO 6000K	0 TO 100%	<17	38°	80	ALUMINIUM
UHLS-MT 1675	16W	2700K TO 6000K	0 TO 100%	<17	38°	80	ALUMINIUM
UHLS-MT 2475	24W	2700K TO 6000K	0 TO 100%	<17	38°	80	ALUMINIUM

UNISER

Track Series



SMART MAGNETO



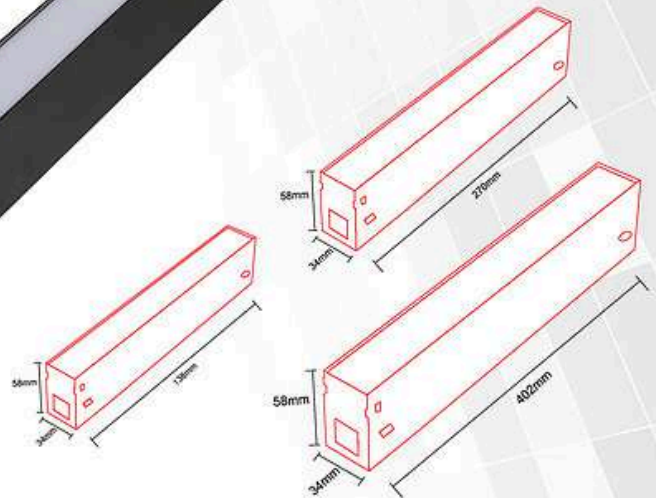
Model	Wattage	CCT	Dimmable	UGR	Beam Angle	CRI	Material
UHLS-MT 0876	8W	2700K TO 6000K	0 TO 100%	<17	38°	80	ALUMINIUM

UNISER

Track Series



SMART MAGNETO



Model	Wattage	CCT	Dimmable	UGR	Beam Angle	CRI	Material
UHLS-MT 1074	10W	2700K TO 6000K	0 TO 100%	<17	38°	80	ALUMINIUM
UHLS-MT 2074	20W	2700K TO 6000K	0 TO 100%	<17	38°	80	ALUMINIUM
UHLS-MT 3074	30W	2700K TO 6000K	0 TO 100%	<17	38°	80	ALUMINIUM

UNISER

Track Series

SMART MAGNETO



UNISER

Track Series



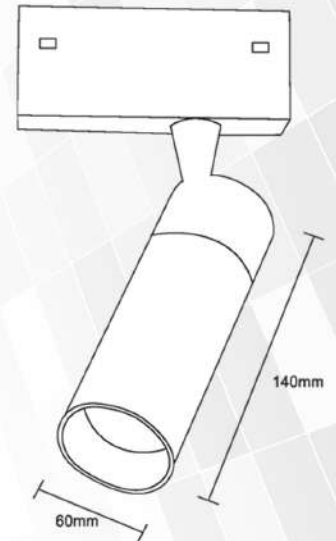
SMART MAGNETO



Model	Wattage	CCT	Dimmable	UGR	Beam Angle	CRI	Material
UHLS-MT 0876	8W	2700K TO 6000K	0 TO 100%	<17	38°	80	ALUMINIUM

UNISER

Track Series

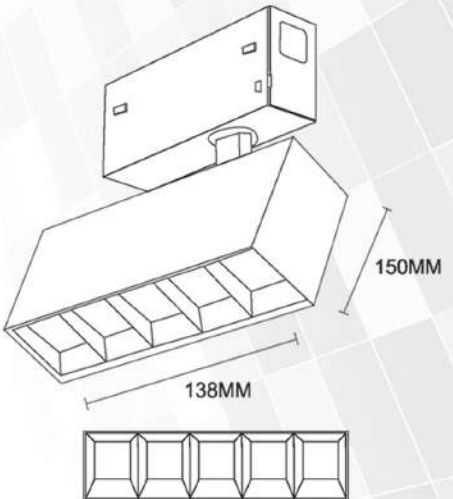


SMART MAGNETO

Model	Wattage	CCT	Dimmable	UGR	Beam Angle	CRI	Material
UHLS-MT 0873	8W	2700K TO 6000K	0 TO 100%	<17	38°	80	ALUMINIUM

UNISER

Track Series



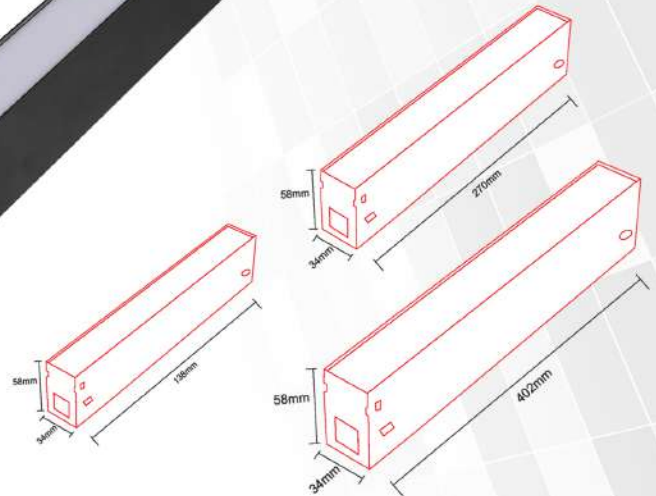
Model	Wattage	CCT	Dimmable	UGR	Beam Angle	CRI	Material
UHLS-MT 0874	8W	2700K TO 6000K	0 TO 100%	<17	38°	80	ALUMINIUM

UNISER

Track Series



SMART MAGNETO



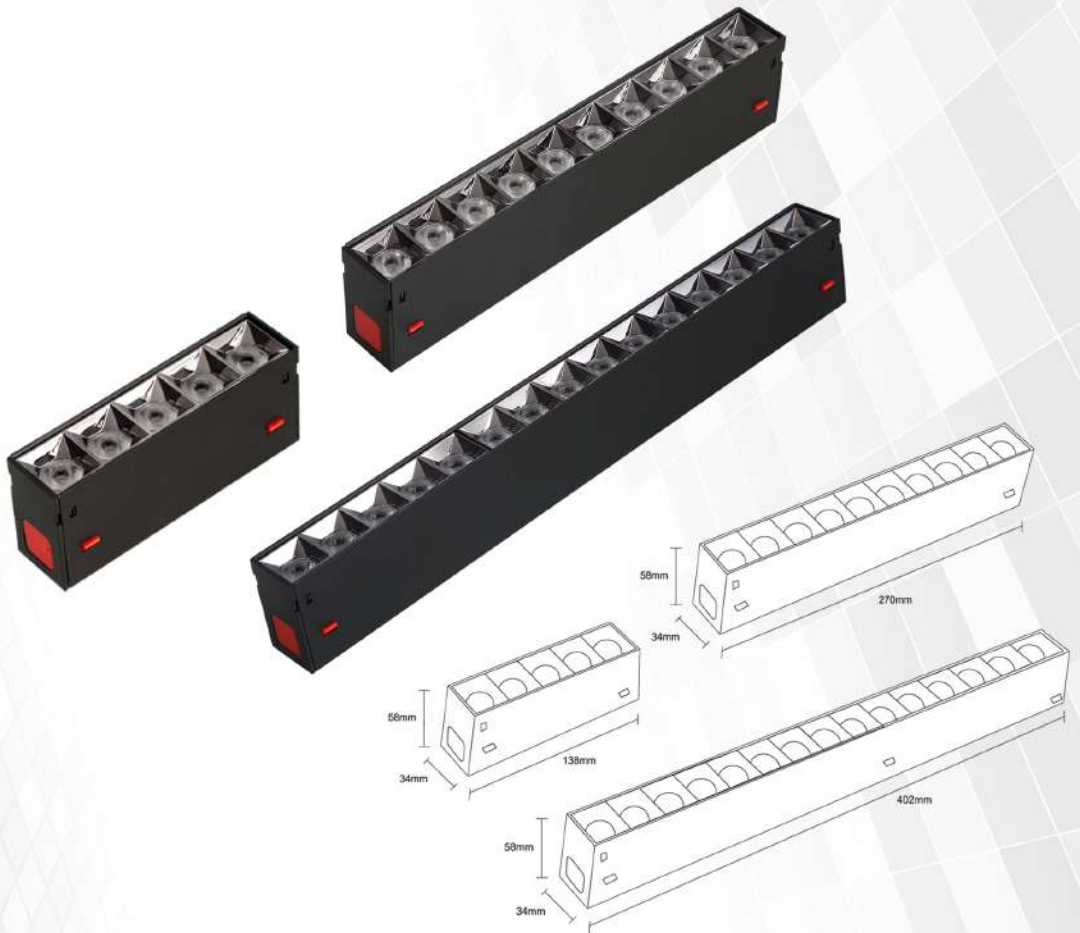
Model	Wattage	CCT	Dimmable	UGR	Beam Angle	CRI	Material
UHLS-MT 1074	10W	2700K TO 6000K	0 TO 100%	<17	38°	80	ALUMINIUM
UHLS-MT 2074	20W	2700K TO 6000K	0 TO 100%	<17	38°	80	ALUMINIUM
UHLS-MT 3074	30W	2700K TO 6000K	0 TO 100%	<17	38°	80	ALUMINIUM

UNISER

Track Series



SMART MAGNETO

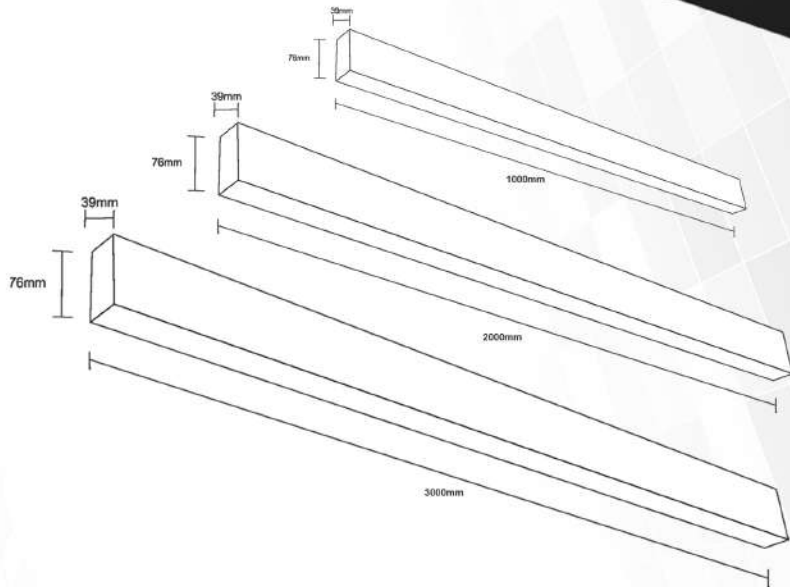


Model	Wattage	CCT	Dimmable	UGR	Beam Angle	CRI	Material
UHLS-MT 0875	8W	2700K TO 6000K	0 TO 100%	<17	38°	80	ALUMINIUM
UHLS-MT 1675	16W	2700K TO 6000K	0 TO 100%	<17	38°	80	ALUMINIUM
UHLS-MT 2475	24W	2700K TO 6000K	0 TO 100%	<17	38°	80	ALUMINIUM

UNISER

Track Series

SMART MAGNETO



Model	Track Length	Channel Type	Material
UHLS-MT 1M	1M	SURFACE/ SUSPENDED/ TRIMLESS	ALUMINIUM
UHLS-MT 2M	2M	SURFACE/ SUSPENDED/ TRIMLESS	ALUMINIUM
UHLS-MT 3M	3M	SURFACE/ SUSPENDED/ TRIMLESS	ALUMINIUM

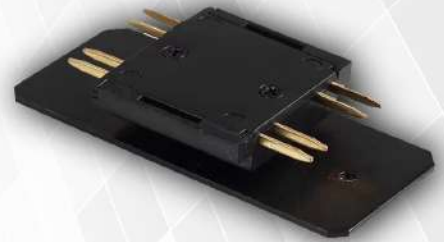
UNISER

Track Series

SMART MAGNETO



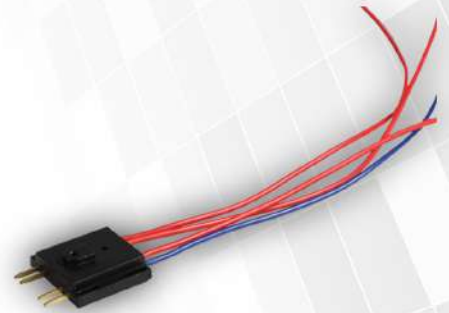
HLF-MT CEILING TO WALL



HLF-MT I JOINTER



HLF-MT CEILING TO CEILING



HLF-MT LIVE END



HLF-MT HANGING



HLF-MT CD CLAMP



UNISER

INDUSTRIES PVT. LTD.

LED LIGHTING • SOLAR POWER • SMART AUTOMATION

To place your order, please contact

HELPDESK DETAILS :

414, Lotus House, 33-A, V Thackersey Marg, New Marine Lines, Mumbai 400020,
India

Tel: **022 22000515**

Mob: **+91 9867625686**

Email : projects@uniserledlights.com | support@uniserledlights.com

www.uniserledlights.com | www.unisersolar.com