

UNISER

INDUSTRIES PVT. LTD.

SMART SERIES

PRODUCT OVERVIEW TECHNICAL DOCUMENT
EDITION APRIL 2020

UNISER

SMART LIGHTS

MODEL NO. : UHLS-10W SMART BULB

WATTAGE : 10W

CCT : RGB+WH+WW



- TIME
- 16 MILLION COLORS
- PERMANENT MEMORY FUNCTION
- MUSIC CONTROL
- SEPARATE CONTROL OR GROUP CONTROL



UNISER

SMART LIGHTS

MODEL NO. : UHLS-14CDCOB-03CCT

WATTAGE : 14W

CCT : 2700K TO 6000K

DIMMABLE : 0-100%

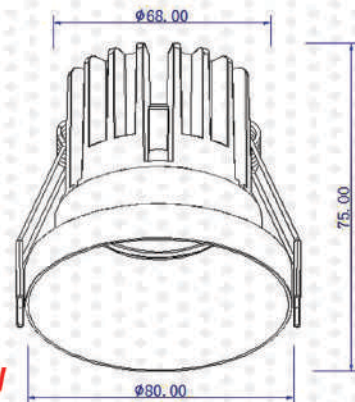
BEAM ANGLE : 38



CCT TUNABLE



BRIGHTNESS



UNISER

SMART LIGHTS

MODEL NO. : UHLS-14CDCOB-07CCT

WATTAGE : 14W

CCT : 2700K TO 6000K

DIMMABLE : 0-100%

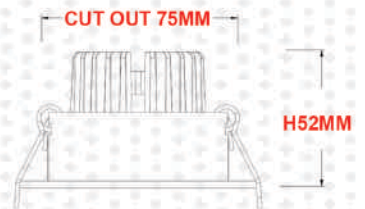
BEAM ANGLE : 38



CCT TUNABLE



BRIGHTNESS



HL-14 CD COB-07



UNISER

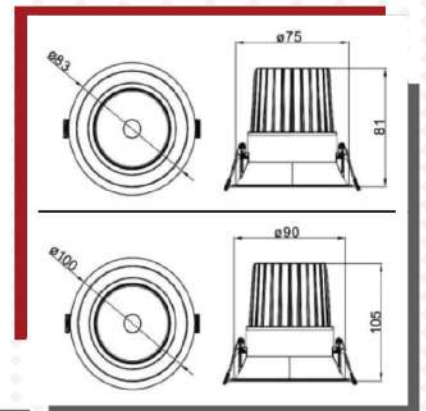
SMART LIGHTS

MODEL NO.	: UHLS-09 DEEP CCT	UHLS-16 DEEP CCT
WATTAGE	: 9W	16W
CCT	: 2700K TO 6000K	2700K TO 6000K
DIMMABLE	: 0-100%	0-100%
BEAM ANGLE	: 36°	36°

CCT TUNABLE



BRIGHTNESS



UNISER

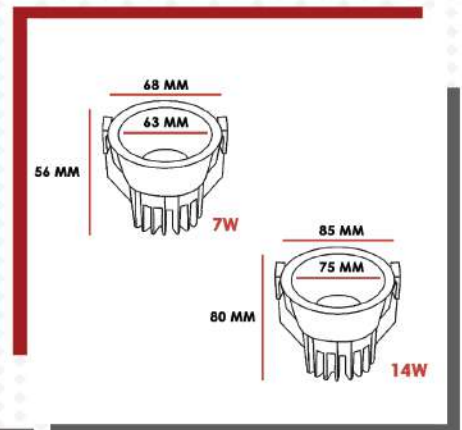
SMART LIGHTS

MODEL NO.	: UHLS-07 DELTA CCT	UHLS-14 DELTA CCT
WATTAGE	: 7W	14W
CCT	: 2700K TO 6000K	2700K TO 6000K
DIMMABLE	: 0-100%	0-100%
BEAM ANGLE	: 36°	36°

CCT TUNABLE



BRIGHTNESS



UNISER

SMART LIGHTS

MODEL NO. : UHLS-14CDCOB-02CCT

WATTAGE : 14W

CCT : 2700K TO 6000K

DIMMABLE : 0-100%

BEAM ANGLE : 38



CCT TUNABLE

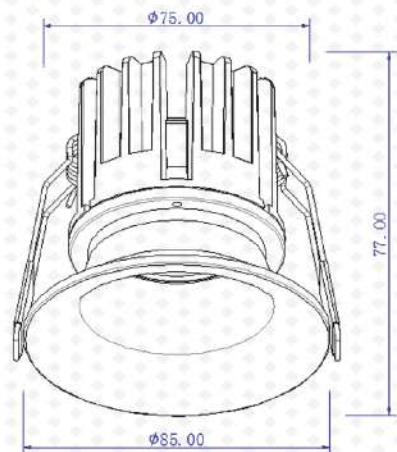


6K 27K

BRIGHTNESS



1% 100%
LUMENS DIMMABLE



UNISER

SMART LIGHTS

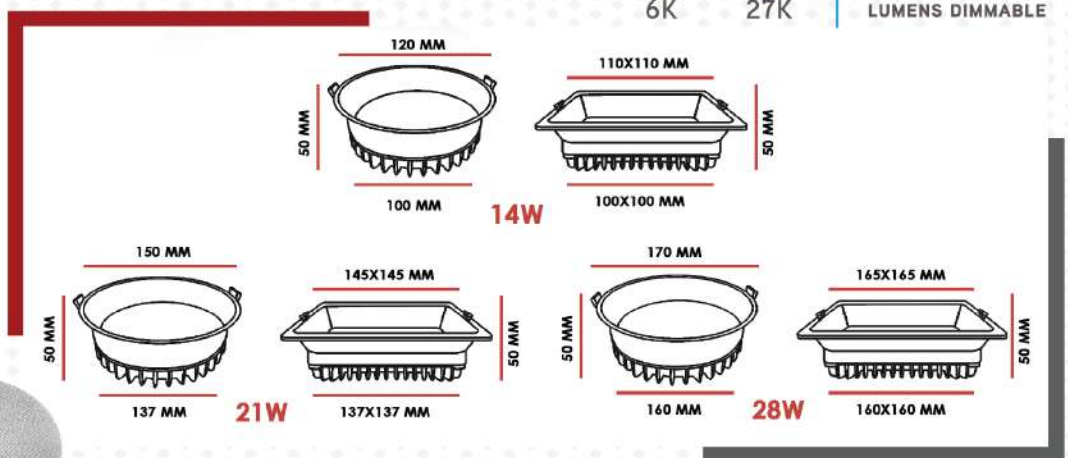
MODEL NO.	: UHLS-14 DL CCT	UHLS-21 DL CCT	UHLS-28 DL CCT
WATTAGE	: 14W	21W	28W
CCT	: 2700K TO 6000K	2700K TO 6000K	2700K TO 6000K
DIMMABLE	: 0-100%	0-100%	0-100%
BEAM ANGLE	: 120°	120°	120°



CCT TUNABLE



BRIGHTNESS



UNISER

SMART LIGHTS

MODEL NO.	: UHLS-14 SFCOB CCT UHLS-21 SFCOB CCT
WATTAGE	: 14W 21W
CCT	: 2700K TO 6000K 2700K TO 6000K
DIMMABLE	: 0-100% 0-100%
BEAM ANGLE	: 36° 36°



CCT TUNABLE



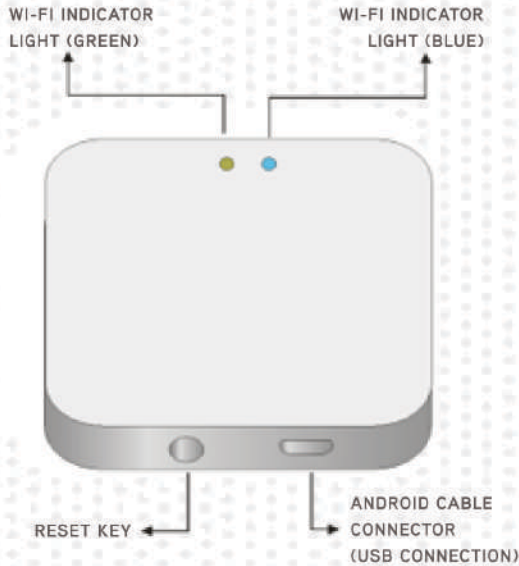
BRIGHTNESS



UNISER

SMART
ACCESSORIES

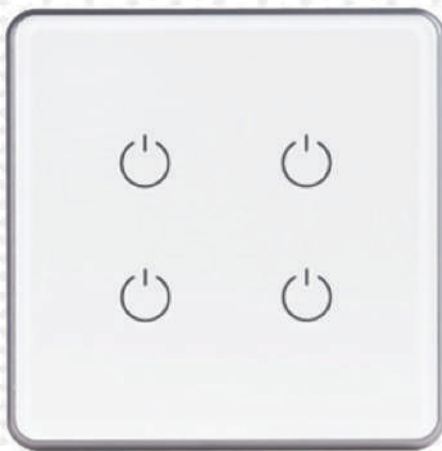
1. UHLS-SMART GATEWAY PRO



2. UHLS-99 KEY RF REMOTE



3. UHLS-WALL PANEL B



4. UHLS-WALL PANEL A





UNISER

INDUSTRIES PVT. LTD.

LED LIGHTING • SOLAR POWER • SMART AUTOMATION

To place your order, please contact

HELPDESK DETAILS :

414, Lotus House, 33-A, V Thackersey Marg, New Marine Lines, Mumbai 400020,
India

Tel: **022 22000515**

Mob: **+91 9867625686**

Email : projects@uniserledlights.com | support@uniserledlights.com

www.uniserledlights.com | www.unisersolar.com