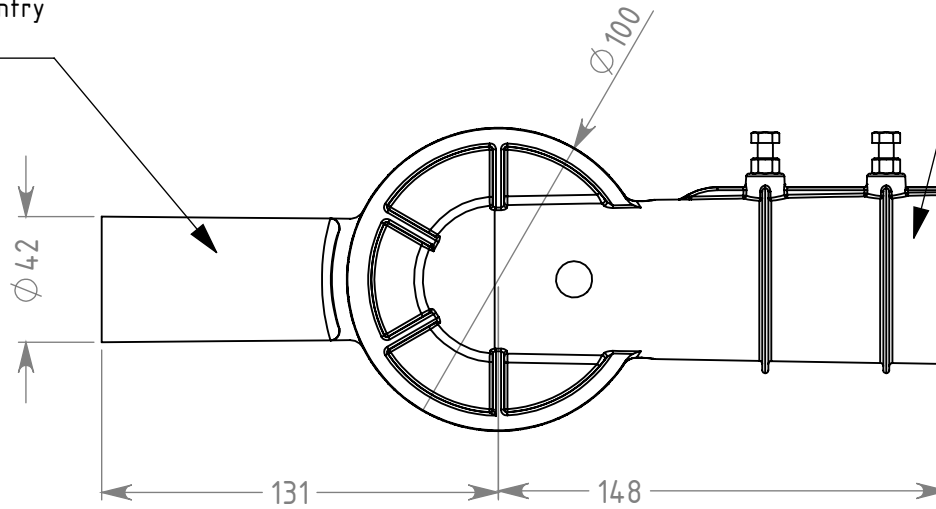
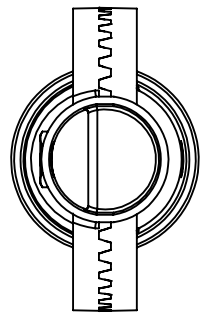
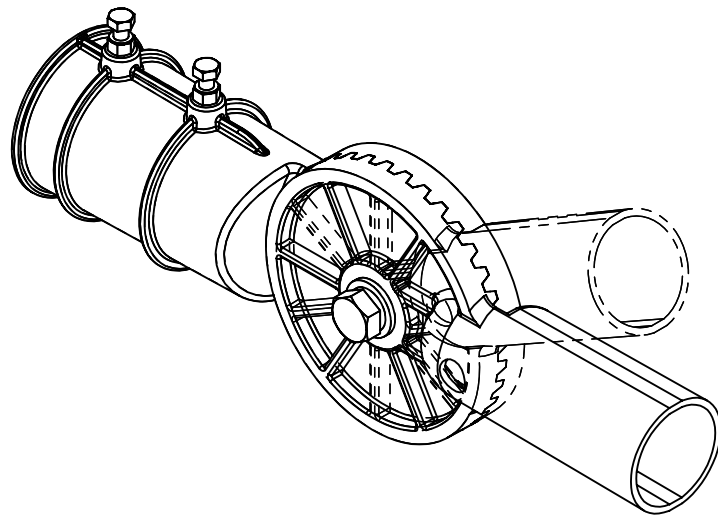
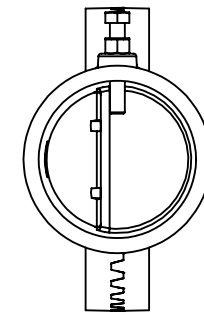


Directly goes in to  
Street Light Pipe Entry



Suitable for  
Max.  $\phi 32$ mm bore Pipe  
-  $\phi 43$ mm OD  
(  $\phi 1.25$ " G.I. Pipe)



**WALL BRACKET  
FOR STREET LIGHT  
SSL-20  
COMBINATION - 3**

All Dimensions are in mm.