

UNISER

INDUSTRIES PVT. LTD.



SURFACE LIGHTS SERIES

PRODUCT OVERVIEW TECHNICAL DOCUMENT
EDITION APRIL 2020

Surface Series

UNISER

POWERED BY **CREE** ⇄

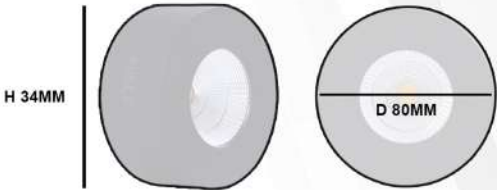


Model	Wattage	CCT	Body Colour	Beam Angle
UHLS-04 SF COB	4W	3K/4K/6K	BK/PKW	36°

Surface Series

UNISER

POWERED BY **CREE** | DRIVEN BY **DONE**

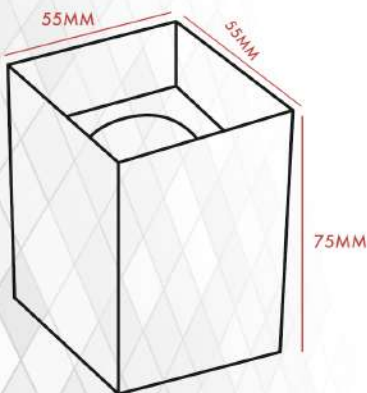


Model	Wattage	CCT	Body Colour	Dimensions
UHLS-5W/192	5W	3K/4K	BK/WH	H 34MM & D 80MM

Surface Series

UNISER

POWERED BY BRIDGELUX



Model	Wattage	CCT	Beam Angle	Flux	CRI
UHLS-07SFCOB SQ	7W	3K/4K/6K	30°	400LM	80

UNISER

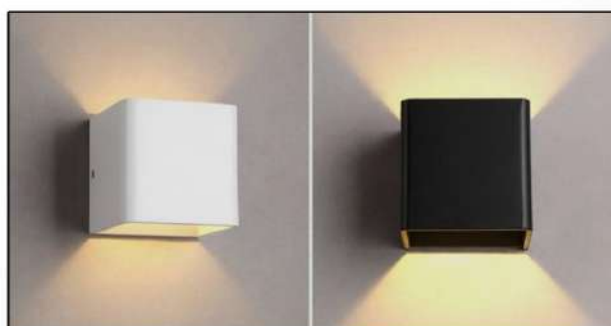
Wall Washer Series



Model	Power	CCT	Body Colour
UHLS-07-0744	7W	3K/4K/6K	BK/PKW

UNISER

Indoor Series



Model

Wattage

IP
Rating

Body
Colour

CCT

Dimensions
(h*w*l)

UHLS-07 UD Indoor 7W

IP 20

BK/PKW

3K

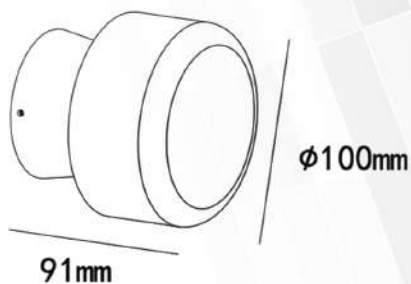
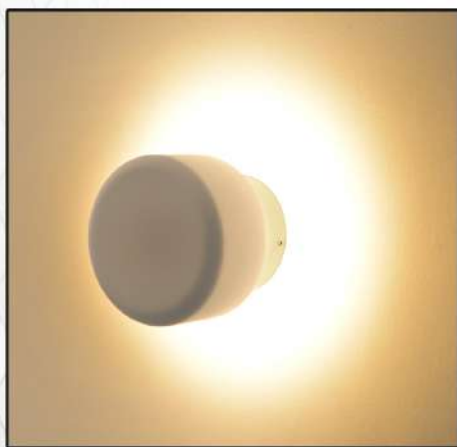
100MM X 100 MM
X 100MM

UNISER

WALL LAMP

POWERED BY BRIDGELUX

DRIVEN BY EAGLE RISE



Model	Wattage	CCT	CRI	Body Colour	Material
UHLS-07-310049	7W	3K	90	WHITE/ GREY	GYPSUM

COB Series

UNISER

POWERED BY CREE

DRIVEN BY EAGLE RISE



Model	Power	CCT	Beam Angle	Body Size
UHLS-12SFCOB C+E	12W	3K/4K/6K	40°	85mm(h) 90mm(dia)

Surface Series

UNISER

POWERED BY EVERLIGHT®

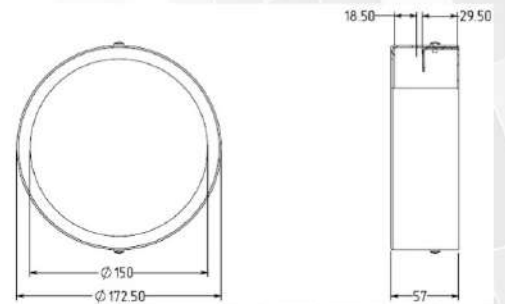
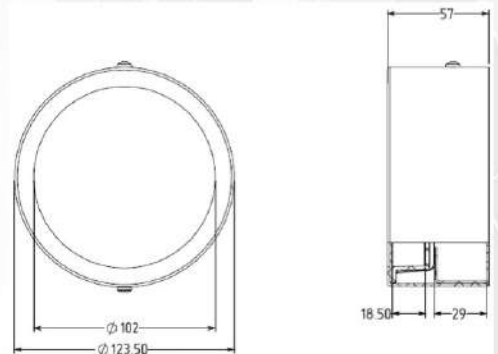
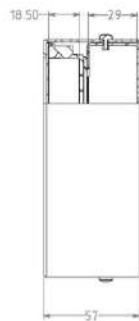
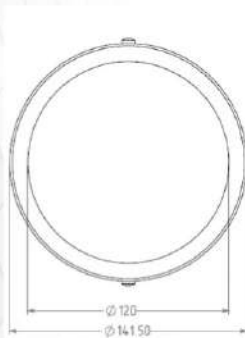
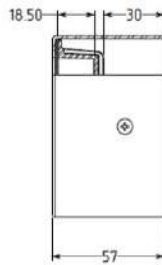
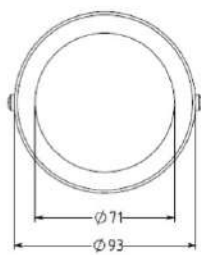
DRIVEN BY  EAGLE RISE



Model	Power	CCT	Beam Angle	Body Size
UHLS-12SF SMD 888	12 W	3K/4K/6K	100°	65mm(h) 90mm(dia)

UNISER

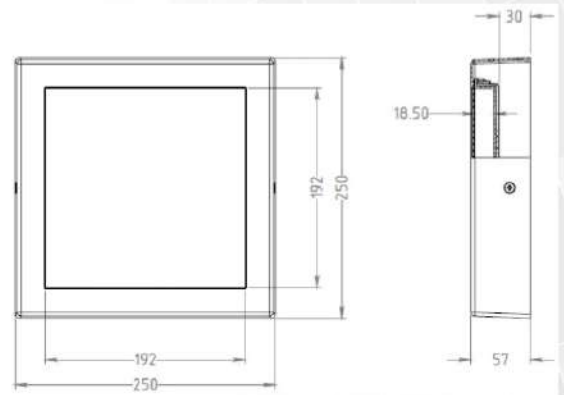
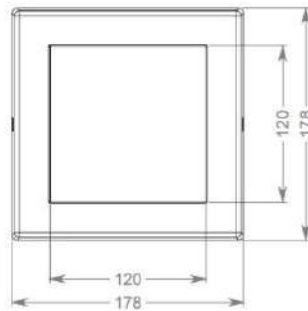
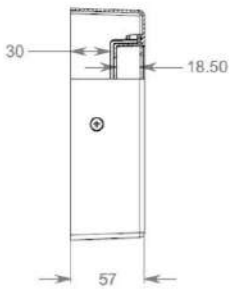
Surface Series



Model	Power	CCT	PF	Body Colour
US-SUR-06-SMD	06W	WW, DW, CW	> 0.9	WHITE, BLACK
US-SUR-12-SMD	12W	WW, DW, CW	> 0.9	WHITE, BLACK
US-SUR-18-SMD	18W	WW, DW, CW	> 0.9	WHITE, BLACK
US-SUR-24-SMD	24W	WW, DW, CW	> 0.9	WHITE, BLACK

UNISER

Surface Series



Model	Power	CCT	PF	Body Colour
US-SUR-18-SQ-SMD	18W	WW, DW, CW	> 0.9	WHITE, BLACK
US-SUR-30-SQ-SMD	30W	WW, DW, CW	> 0.9	WHITE, BLACK

COB Series

UNISER

POWERED BY CREE 



Model	Power	CCT	PF
UHLS-14SF COB 444	14W	3K/4K/6K	>0.9

COB Series

UNISER

POWERED BY CREE 



Model

Power

CCT

PF

Dimensions

UHLS-14SF COB 3507 14W

3K/4K/6K

>0.9

98mm (H)
85mm(Dia)

COB Series

UNISER

POWERED BY **CREE** 

DRIVEN BY  **EAGLERISE**



Model	Power	CCT	Beam Angle
UHLS-16 SFCOB 9797	16W	3K/4K/6K	40°

Surface Series

UNISER

POWERED BY CREE 



Model	Power	CCT	PF	Body Colour
UHLS-18 SFCOB 3010 CREE	18W	3K/4K/6K	>0.9	BK/PKW

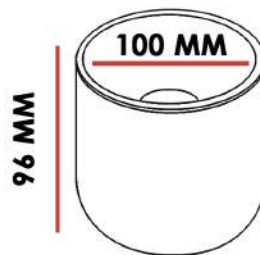
Surface Series

UNISER

POWERED BY **CREE** 



7W



14W



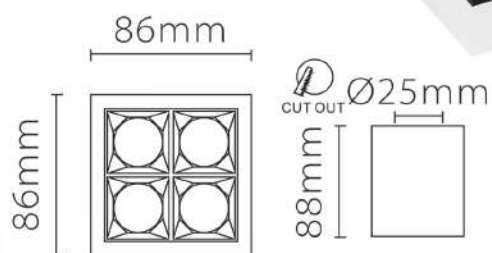
21W

Model	Wattage	Body Colour	CCT	Flux	CRI	Beam Angle
UHLS-07SFCOB-2114	7W	BK/PKW	3K/4K/6K	490LM	80	30
UHLS-14SFCOB-2114	14W	BK/PKW	3K/4K/6K	1000LM	80	35
UHLS-21SFCOB-2114	21W	BK/PKW	3K/4K/6K	1600LM	80	45

UNISER

Surface Series

POWERED BY OSRAM



Model	Wattage	CCT	Degree	Body Colour
UHLS-18 SF MATRIX	18W	3K/4K	38°	BK/WH

UNISER

POWERED BY CREE ⇄

Surface Series



UHLS-07SF COB



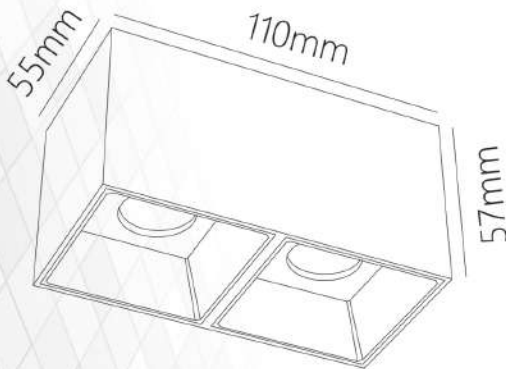
UHLS-12SF COB

Model	Wattage	CCT	Body Colour
UHLS-07SF COB	7W	3K/4K/6K	BK/PKW
UHLS-12SY COB	12W	3K/4K/6K	BK/PKW

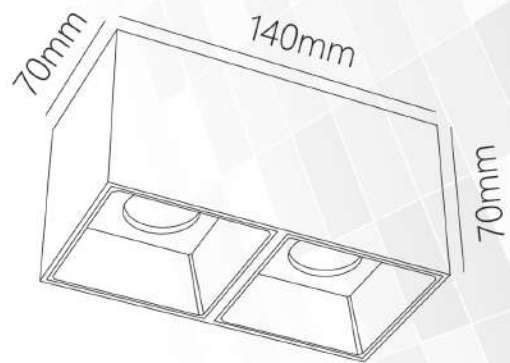
Surface Series

UNISER

POWERED BY CREE



HL-14 SF SQ 7272



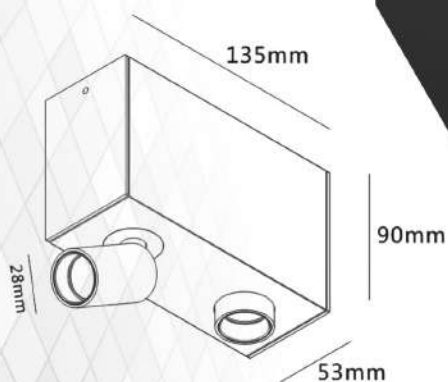
HL-24 SF SQ 7474

Model	Wattage	CCT	Body Colour	Beam Angle
UHLS-14 SF SQ 7272	14W	-3000K/4000K/ 6000K	BK/PKW	-36°
UHLS-24 SF sQ 7474	24W	-3000K/4000K/ 6000K	BK/PKW	-36°

UNISER

Surface Series

POWERED BY CREE



Model	Wattage	CCT	Degree	Body Colour
UHLS-14-4477 SFCOB	14W	3K/4K/6K	36°	WH/BK

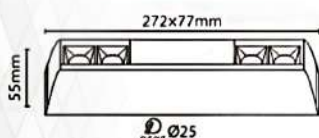
UNISER

Surface Series

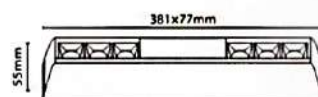
POWERED BY OSRAM



HL-24 SF LINEA



HL-35 SF LINEA



Model	Wattage	CCT	PF	Degree	Body Colour
UHLS-24 SF LINEA	24W	3K/4K	>0.9	38°	PKW
UHLS-35 SF LINEA	35W	3K/4K	>0.9	38°	BK

COB Series

UNISER

POWERED BY BRIDGELUX.



Model	Power	PF	CCT	Beam Angle	Body Size (HxDia mm)
UHLS-09SFCOB	09 WATTS	>0.9	3K/4K/6K	40°	106x60
UHLS-16SFCOB	16 WATTS	>0.9	3K/4K/6K	40°	123x70
UHLS-24SFCOB	24 WATTS	>0.9	3K/4K/6K	40°	148x100

UNISER

COB Series



Model	Power	CCT	Body Colour
UHLS-14SFCOB	14W	3K/4K/6K	PkW/BK
UHLS-21SFCOB	21W	3K/4K/6K	PkW/BK
UHLS-35SFCOB	35W	3K/4K/6K	PkW/BK

UNISER

COB Series

POWERED BY BRIDGELUX



Model	Power	PF	CCT	Beam Angle
UHLS-14SFCOB-02	14 WATTS	>0.9	3K/4K/6K	40°
UHLS-24SFCOB-02	24 WATTS	>0.9	3K/4K/6K	40°
UHLS-35SFCOB-02	35 WATTS	>0.9	3K/4K/6K	40°

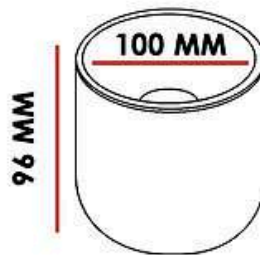
Surface Series

UNISER

POWERED BY **CREE** ⇄



7W



14W



21W

Model	Wattage	Body Colour	CCT	Flux	CRI	Beam Angle
UHLS-07SFCOB-2114	7W	BK/PKW	3K/4K/6K	490LM	80	30
UHLS-14SFCOB-2114	14W	BK/PKW	3K/4K/6K	1000LM	80	35
UHLS-21SFCOB-2114	21W	BK/PKW	3K/4K/6K	1600LM	80	45

UNISER

Profile Series

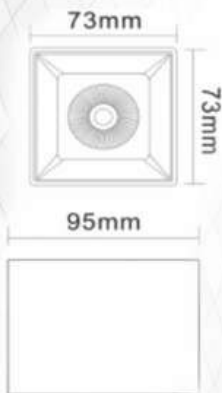


Model	Wattage	Voltage	CCT	Body Colour	Size
UHLS-570/4W	4W	AC 220V	3K/4K/6K	BK/PKW	1 FEET
UHLS-570/8W	8W	AC 220V	3K/4K/6K	BK/PKW	2 FEET
UHLS-570/12W	12W	AC 220V	3K/4K/6K	BK/PKW	3 FEET
UHLS-570/16W	16W	AC 220V	3K/4K/6K	BK/PKW	4 FEET

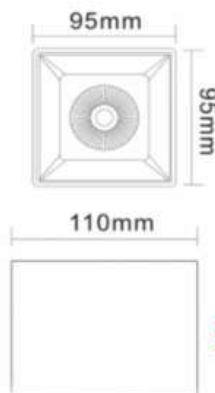
UNISER

Surface Series

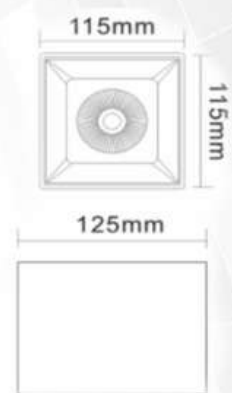
POWERED BY BRIDGELUX



14W



24W



35W

Model	Wattage	CCT	PF	Beam Angle	Body Color	Material
UHLS- 14SFCOB SQ	14W	3K/4K/6K	>0.9	40°	Wh/Bk	ALUMINIUM
UHLS- 24SFCOB SQ	24W	3K/4K/6K	>0.9	40°	Wh/Bk	ALUMINIUM
UHLS- 35SFCOB SQ	35W	3K/4K/6K	>0.9	40°	Wh/Bk	ALUMINIUM

UNISER

Surface Series

POWERED BY **OSRAM**



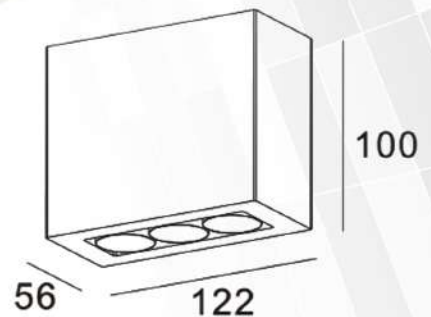
Model	Wattage	CCT	Beam Angle	Body Colour
UHLS-07SF PNR	7W	3K/4K/6K	-30°	BK/PKW

UNISER

Surface Series

POWERED BY BRIDGELUX

DRIVEN BY EAGLERISE



MATERIAL GYPSUM

Model	Wattage	CCT	CRI	Beam Angle	Lumens
UHLS-8W 210066	8W	3000K/4000K	90	-38°	710 LM



UNISER

INDUSTRIES PVT. LTD.

LED LIGHTING • SOLAR POWER • SMART AUTOMATION

To place your order, please contact

HELPDESK DETAILS :

414, Lotus House, 33-A, V Thackersey Marg, New Marine Lines, Mumbai 400020,
India

Tel: **022 22000515**

Mob: **+91 9867625686**

Email : projects@uniserledlights.com | support@uniserledlights.com

www.uniserledlights.com | www.unisersolar.com