

A photograph of a modern interior featuring a track lighting system. A black track is mounted on a ceiling, with several cylindrical track lights attached. One light in the foreground is illuminated, casting a warm glow. The background shows a blurred interior with framed artwork on the wall.

**UNISER**  
INDUSTRIES PVT. LTD.

# TRACK LIGHTS SERIES

PRODUCT OVERVIEW TECHNICAL DOCUMENT  
EDITION APRIL 2020

# UNISER

POWERED BY CREE 

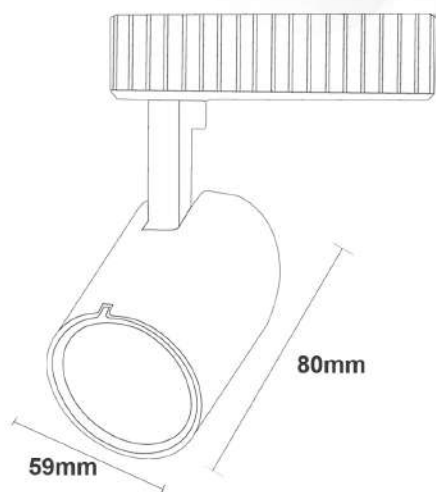
Track Series



Model	Wattage	CCT	Beam Angle	Body Colour
UHLS-09 TR SPRING	9W	3K/4K/6K	38°	BK/PKW

# UNISER

Track Light



Model	Wattage	CCT	Beam Angle	CRI	Lumens	Body Color	Material
UHLS-09TR	09W	3K/4K/6K	24°	80	900LM	BK/PKW	ALUMINIUM

# UNISER

Track Series



Model	Power	CCT	Body Colour
<b>UHLS-14 TR-02</b>	<b>14W</b>	<b>3K/4K/6K</b>	<b>PkW/BK</b>

# UNISER

Track Series

POWERED BY **CREE** 



Model	Power	CCT	Body Colour
UHLS-14TR CREE	14W	3K/4K/6K	PKW/BK

COB Series

# UNISER

POWERED BY CREE 

DRIVEN BY ALLOOKING



Model	Power	CCT	Beam Angle
UHLS-14 3535 TR	14W	3K/4K/6K	40°

COB Series

# UNISER

POWERED BY **CREE** ⇄

DRIVEN BY ALLOOKING



Model	Power	CCT	Beam Angle
UHLS-14 3535 CD	14W	3K/4K/6K	40°

# UNISER

Track Series

POWERED BY **CREE** 



60 MM



110 MM

55 MM

Model	Wattage	Colour	Body Colour
<b>UHLS-14TR-714</b>	<b>14W</b>	<b>3K/4K/6K</b>	<b>ROSE GOLD</b>



# UNISER

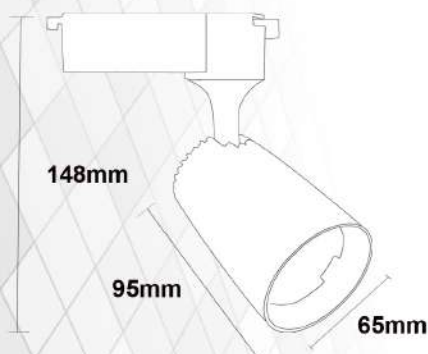
## Track Light



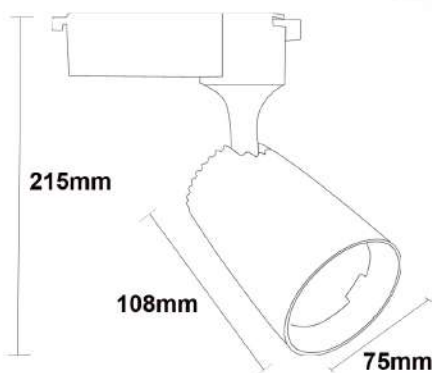
Model	Wattage	CCT	Beam Angle	CRI	Lumens	Body Color	Material
UHLS-14TR	14W	3K/4K/3K	40°	80	1400LM	BK/PKW	ALUMINIUM
UHLS-21TR	21W	3K/4K/3K	40°	80	2200LM	BK/PKW	ALUMINIUM

# UNISER

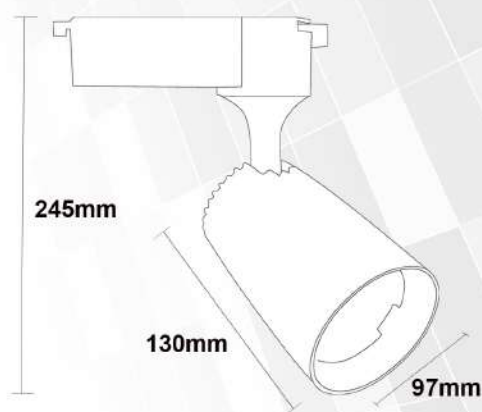
## Track Light



14W



21W

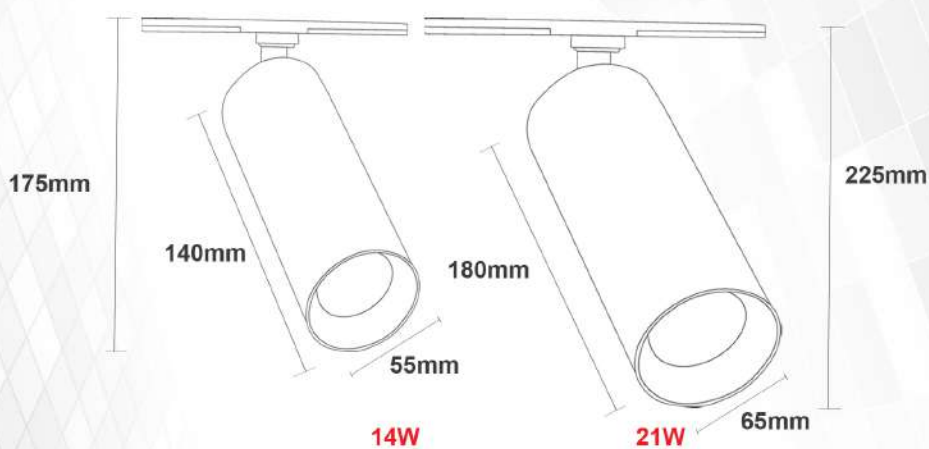


35W

Model	Wattage	CCT	Beam Angle	CRI	Lumens	Body Color	Material
UHLS-14TR 1414	14W	3K/4K/3K	40°	80	1200LM	BK/PKW	ALUMINIUM
UHLS-21TR 1414	21W	3K/4K/3K	40°	80	2000LM	BK/PKW	ALUMINIUM
UHLS-35TR 1414	35W	3K/4K/3K	40°	80	3000LM	BK/PKW	ALUMINIUM

# UNISER

## Track Light



Model	Wattage	CCT	Beam Angle	CRI	Lumens	Body Color	Material
UHLS-14TR 4714	14W	3K/4K/3K	40°	80	1400LM	BK/PKW	ALUMINIUM
UHLS-21TR 4714	21W	3K/4K/3K	40°	80	2200LM	BK/PKW	ALUMINIUM

# UNISER

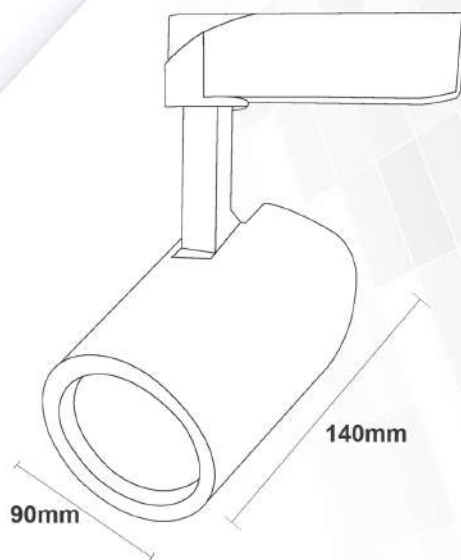
## Track Light



Model	Wattage	CCT	Beam Angle	CRI	Lumens	Body Color	Material
UHLS-21TR-02	21W	3K/4K/6K	24°	80	900LM	BK/PKW	ALUMINIUM

# UNISER

## Track Light



Model	Wattage	CCT	Beam Angle	CRI	Lumens	Body Color	Material
UHLS-28TR	28W	3K/4K/6K	24°	80	2400LM	BK/PKW	ALUMINIUM

# UNISER

Track Series

POWERED BY **CREE** ⇄

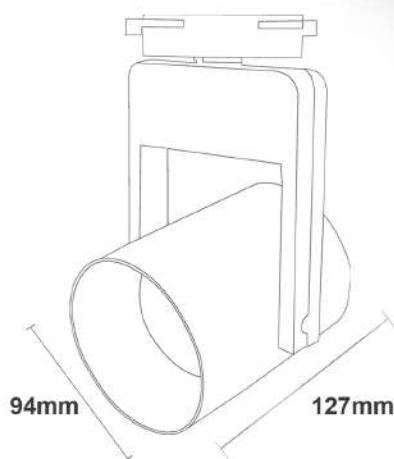
DRIVEN BY **EAGLE RISE**



Model	Power	CCT	Beam Angle
UHLS-35 TR C + E	35W	3K/4K/6K	38°

# UNISER

## Track Light



Model

Wattage

CCT

Beam  
Angle

CRI

Lumens

Body  
Color

Material

UHLS-35TR

35W

3K/4K/6K

24°

80

2400LM

BK/PKW

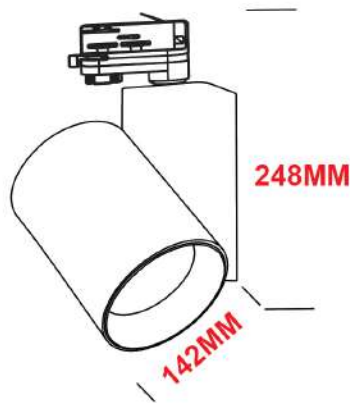
ALUMINIUM

Track Series

# UNISER

POWERED BY CREE

DRIVEN BY EAGLERISE



Model	Wattage	CCT	Degree	Body Colour
UHLS-36TR 1830	35W	3K/4K/6K	45°	BLACK/ COFFEE



# UNISER

Track Series

DEGREE CHANGEABLE



Model	Power	CCT	Body Colour
UHLS-35TR DC-242	35W	3K/4K/6K	BK/PKW

Track Series

# UNISER

POWERED BY **CREE** ⇄

DRIVEN BY ALLOOKING



Model	Power	CCT	Degree	Body Colour
UHLS-36TR-CLDI	35W	3K/4K/5K	38°	BK/PKW

# UNISER

Track Series



Model	Power	CCT	Body Colour
UHLS-09TR	9W	3K/4K/6K	PkW/BK
UHLS-28TR	28W	3K/4K/6K	PkW/BK

# UNISER

POWERED BY CREE 

Track Series



Model	Wattage	CCT	Degree	Body Colour
UHLS-14 TR 4714	14W	3K/4K/6K	40°	BK/PKW
UHLS-21 TR 4714	21W	3K/4K/6K	40°	BK/PKW

# UNISER

Track Series



Model	Power	CCT	Body Colour
UHLS-14TR	14W	3K/4K/6K	PkW/BK
UHLS-21TR	21W	3K/4K/6K	PkW/BK

Track Series

# UNISER

TRIAC DIMMABLE



Model	Power	CCT	Body Colour
UHLS-21 TR DIMMABLE	21W	3K/4K/6K	BK/PKW
UHLS-35 TR DIMMABLE	35W	3K/4K/6K	BK/PKW

# UNISER

Track Series



Model	Power	CCT	Body Colour
UHLS-14TR-1414	14W	3K/4K/6K	PkW/BK
UHLS-21TR-1414	21W	3K/4K/6K	PkW/BK
UHLS-35TR-1414	35W	3K/4K/6K	PkW/BK

# UNISER

Track Series



Model	Power	CCT	Body Colour
UHLS-09TR-777	9W	3K/4K/6K	PkW/BK
UHLS-14TR-777	14W	3K/4K/6K	PkW/BK
UHLS-21TR-777	21W	3K/4K/6K	PkW/BK
UHLS-35TR-777	35W	3K/4K/6K	PkW/BK



COB Series

# UNISER

POWERED BY **CREE** 

DRIVEN BY ALLOOKING



Model	Power	CCT	Beam Angle
UHLS-14 3535 WL	14W	3K/4K/6K	40°

# UNISER

WALL LIGHT

POWERED BY **CREE** 



60  
MM

110 MM

55 MM

Model	Wattage	Colour	Body Colour
UHLS-14WL-714	14W	3K/4K/6K	ROSE GOLD

# UNISER

Track Series



## Model

- ◆ UHLS-TP-1FEET
- ◆ UHLS-TP-2FEET
- ◆ UHLS-TP-1M
- ◆ UHLS-TP-1.5M
- ◆ UHLS-TP-2M
- ◆ UHLS-TP-3M
- ◆ Straight Connector
- ◆ L CONNECTOR
- ◆ T CONNECTOR
- ◆ + CONNECTOR
- ◆ LIVE CAP
- ◆ END CAP



# UNISER

## INDUSTRIES PVT. LTD.

LED LIGHTING • SOLAR POWER • SMART AUTOMATION

**To place your order, please contact**

### **HELPDESK DETAILS :**

414, Lotus House, 33-A, V Thackersey Marg, New Marine Lines, Mumbai 400020,  
India

Tel: **022 22000515**

Mob: **+91 9867625686**

Email : [projects@uniserledlights.com](mailto:projects@uniserledlights.com) | [support@uniserledlights.com](mailto:support@uniserledlights.com)

[www.uniserledlights.com](http://www.uniserledlights.com) | [www.unisersolar.com](http://www.unisersolar.com)