

THE BEAM SERIES

(Uniser LED Linear Lights)

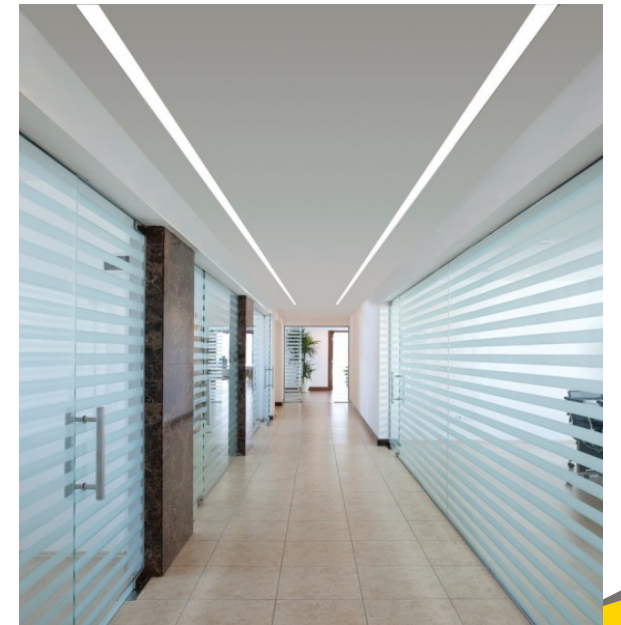
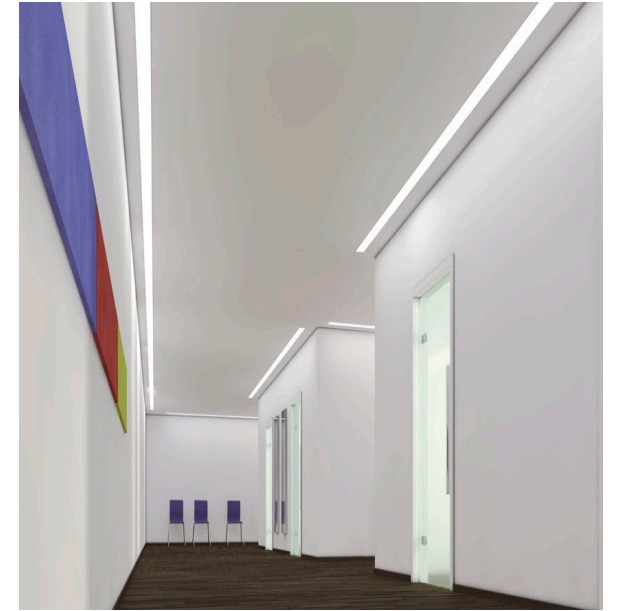
PRODUCT OVERVIEW TECHNICAL DOCUMENT

UNISER LED LINEAR LIGHTS – BEAM SERIES



The Uniser Beam series elegantly crafts style and efficiency in a Linear Light lending a bespoke personality to any space it resides in.

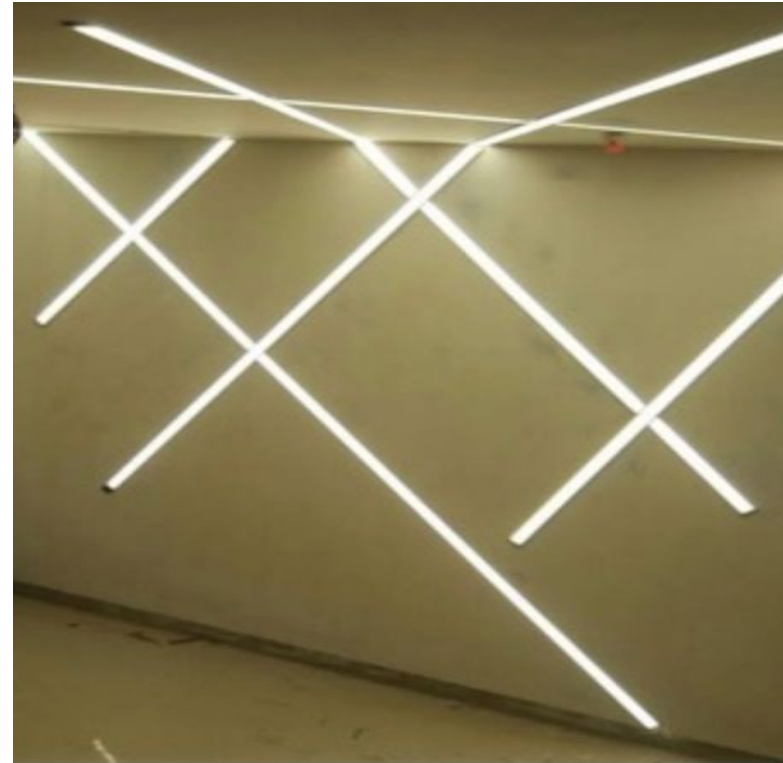
APPLICATION PICTURES



CUSTOMISED APPLICATION

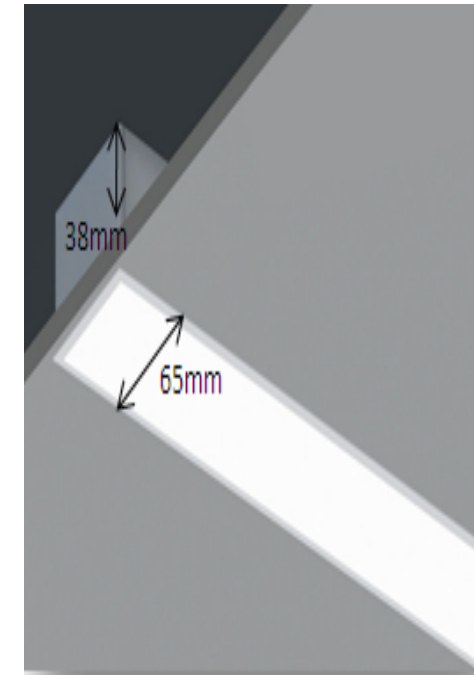


CUSTOMISED APPLICATION



BEAM_6538

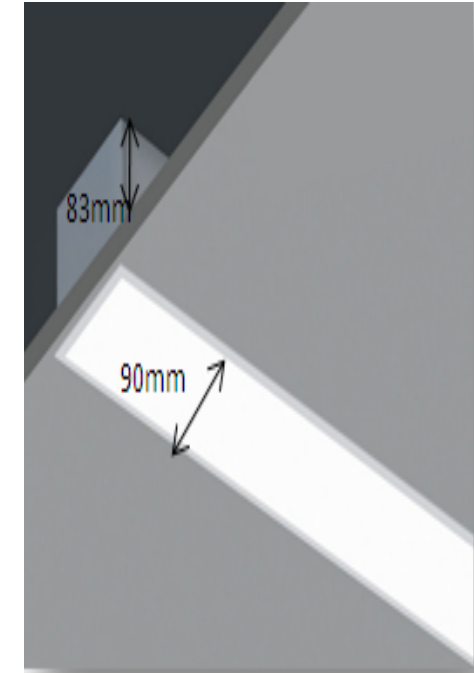
| BEAM_6538 | |
|--|--|
| Model Name | UNI-Linear-Recessed |
| Dimensions (mm) | W:65mm H:38mm |
| Body Colour | White/Anodised Silver /Black |
| Visor | Diffused, Deco Satin Finish, Optical Grade Polycarbonate |
| Housing | Extruded Aluminum (Powder Coated to White/Black) |
| Driver | Osram or Fulham Driver |
| LED | BridgeLux or Osram LED mounted on rigid PCB |
| CCT | 3000K 4000K 5700K CRI >80 IP: 40 |
| Mounting Type | Spring-Clamp Recessed Mounting |
| Wattage & Corresponding lengths | Customization possible |



| | |
|---------------|----------------|
| 2 feet | 15watt |
| 3 feet | 22watt |
| 4 feet | 28watt |
| 5 feet | 38watt |
| 6 feet | 44watt |
| 7 feet | 50watt |
| 8 feet | 56 watt |

BEAM_9083

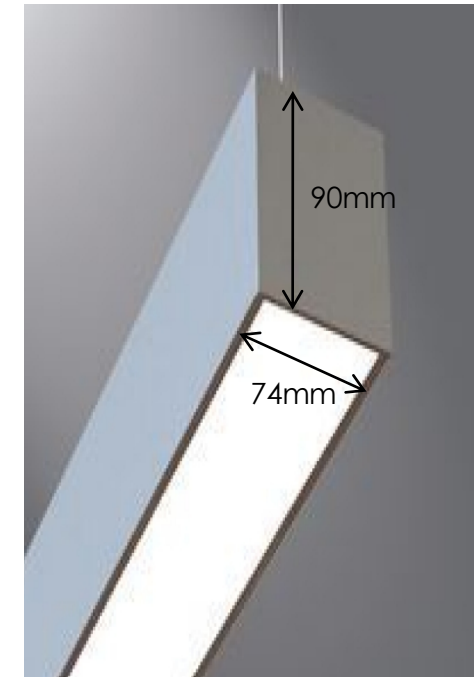
| BEAM_9083 | |
|--|--|
| Model Name | UNI-Linear-Recessed |
| Dimensions (mm) | W:90mm H:83mm |
| Body Colour | White/Anodised Silver /Black |
| Visor | Diffused, Deco Satin Finish, Optical Grade Polycarbonate |
| Housing | Extruded Aluminum (Powder Coated to White/Black) |
| Driver | Osram or Fulham Driver |
| LED | BridgeLux or Osram LED mounted on rigid PCB |
| CCT | 3000K 4000K 5700K CRI >80 IP: 40 |
| Mounting Type | Toggle Fiting Recessed Mounting |
| Wattage & Corresponding lengths | Customization possible |



| | |
|---------------|----------------|
| 2 feet | 15watt |
| 3 feet | 23watt |
| 4 feet | 30watt |
| 5 feet | 38watt |
| 6 feet | 45watt |
| 7 feet | 53watt |
| 8 feet | 60 watt |

BEAM_7490

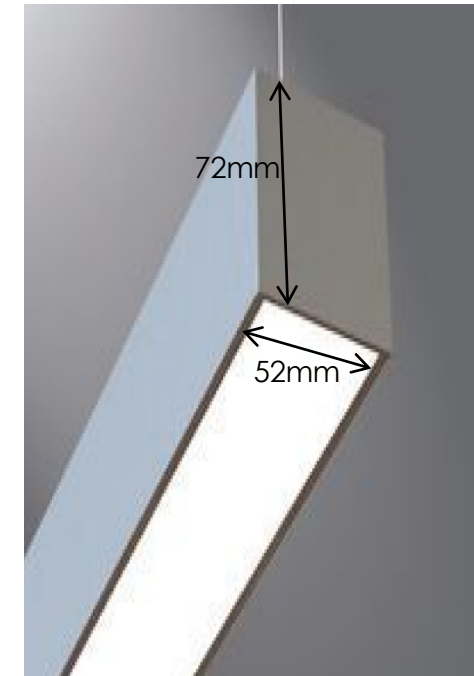
| BEAM_7490 | |
|--|--|
| Model Name | UNI-Linear-Suspended |
| Dimensions (mm) | W:74mm H:90mm |
| Body Colour | White/Anodised Silver /Black |
| Visor | Diffused, Deco Satin Finish, Optical Grade Polycarbonate |
| Housing | Extruded Aluminum (Powder Coated to White/Black) |
| Driver | Osram or Fulham Driver |
| LED | BridgeLux or Osram LED mounted on rigid PCB |
| CCT | 3000K 4000K 5700K CRI >80 IP: 40 |
| Mounting Type | Surface Mounted or Suspended |
| Wattage & Corresponding lengths | Customization possible |



| | |
|---------------|----------------|
| 2 feet | 15watt |
| 3 feet | 22watt |
| 4 feet | 28watt |
| 5 feet | 38watt |
| 6 feet | 44watt |
| 7 feet | 50watt |
| 8 feet | 56 watt |

BEAM_5272

| BEAM_5272 | |
|--|--|
| Model Name | UNI-Linear-Suspended |
| Dimensions (mm) | W:52mm H:72mm |
| Body Colour | White/Anodised Silver /Black |
| Visor | Diffused, Deco Satin Finish, Optical Grade Polycarbonate |
| Housing | Extruded Aluminum (Powder Coated to White/Black) |
| Driver | Osram or Fulham Driver |
| LED | BridgeLux or Osram LED mounted on rigid PCB |
| CCT | 3000K 4000K 5700K CRI >80 IP: 40 |
| Mounting Type | Surface Mounted or Suspended |
| Wattage & Corresponding lengths | Customization possible |



| | |
|---------------|----------------|
| 2 feet | 15watt |
| 3 feet | 23watt |
| 4 feet | 30watt |
| 5 feet | 38watt |
| 6 feet | 45watt |
| 7 feet | 53watt |
| 8 feet | 60 watt |

CONTACT US

To place your order, please contact

Uniser Industries Pvt. Ltd.

HELPDESK DETAILS :

414, Lotus House, 33-A V Thackersey Marg,
New Marine Lines, Mumbai 400020, India

Tel: 022 22000515

Mob : +91 9867625686

www.uniserledlights.com

Email : projects@uniserledlights.com | sureshmadhavan@uniserledlights.com